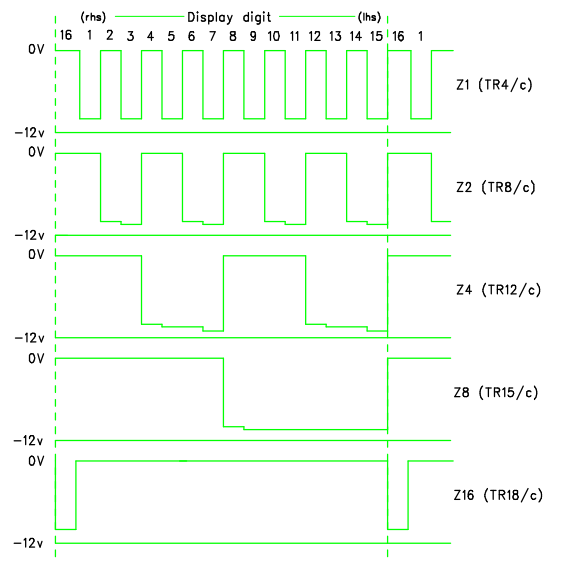
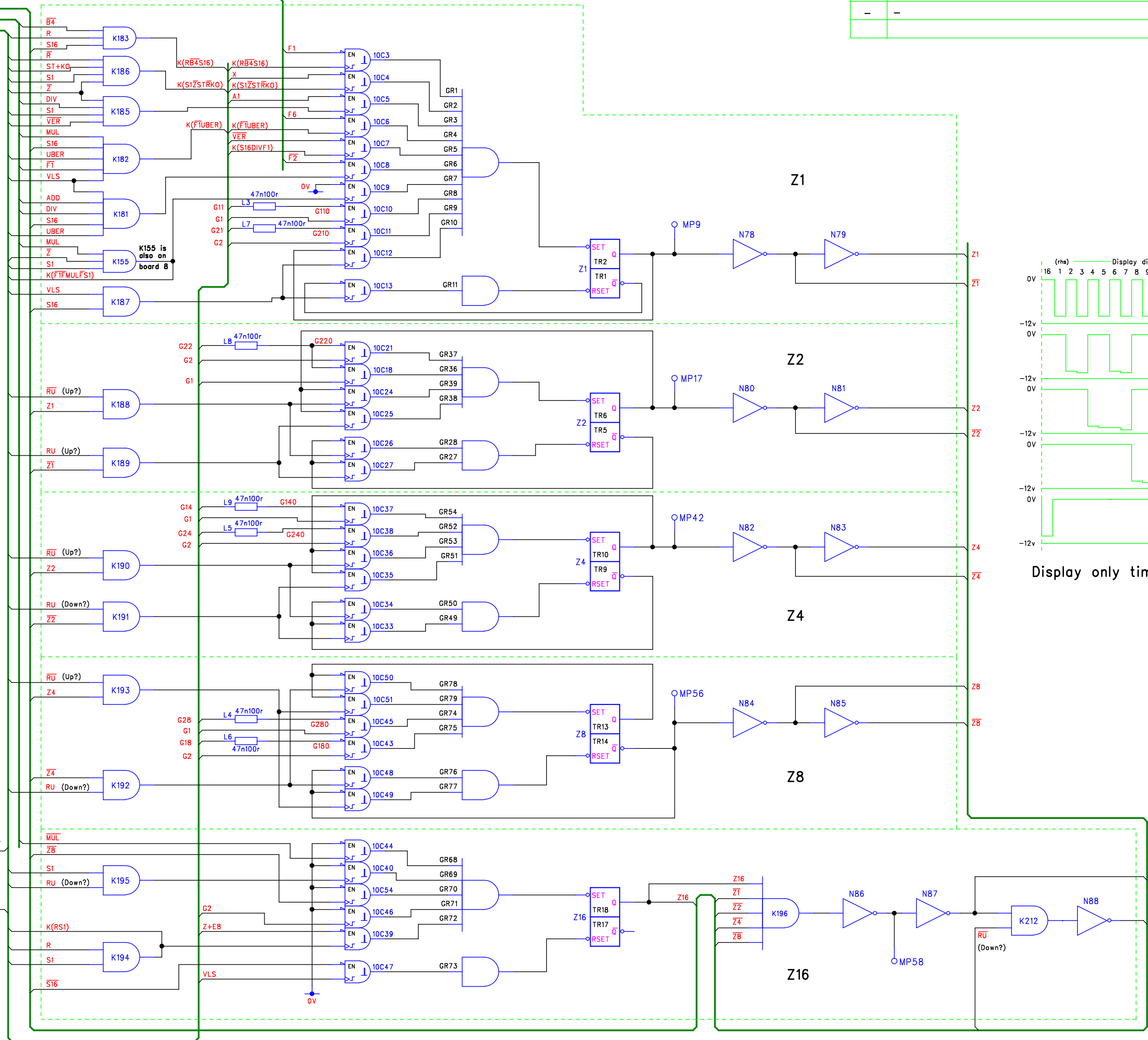


FUNCTIONS [2,3,4,5,6,7,8,9,10]
 Z-COUNTER [5,6,7,8,9,11]
 FUNCTIONS [2,3,4,5,6,7,8,9,10]
 CONTROL [1,2,3,4,5,6,7,8,9,11]

| RevNo | Revision note | Date | By | Checked |
|-------|---------------|------|----|---------|
| - | - | - | - | - |



Display only timing diagram

Net AB-RU is a mixed name net between boards 8, 9 & 10
 Board 8 = K(VOR,VLS,AB,R,RU,S16)
 Board 9 = K(VOR,VLS,AB,R,RU,S16,AUSG)
 Board 10 = K(VOR,VLS,AB,R,RU,AUSG)

K160
 Also on board 8 and K161 board 9

Negative logic referenced to 0V - Logical 1 = -12v, logical 0 = 0v



DM Associates
 33, Northbrook Road
 Aldershot, Hampshire. GU11 3HE
 Email: mike@soemtron.org
 www.soemtron.org

Pcb Dwg # =

| Name | Date |
|----------------|-----------|
| Drawn MD Hatch | 8/12/2008 |
| Checked - | - |

| Scale | Nts |
|----------------|-----|
| Sheet 10 | 11 |
| Next Sheet | |
| Drawing Number | |

| Title | Issue |
|---|---------|
| Soemtron ETR 220 Calculator #10 - Z Counter (Digit Counter) Logic Diagram | A2 |
| Soemtron 220 Logic | Issue A |