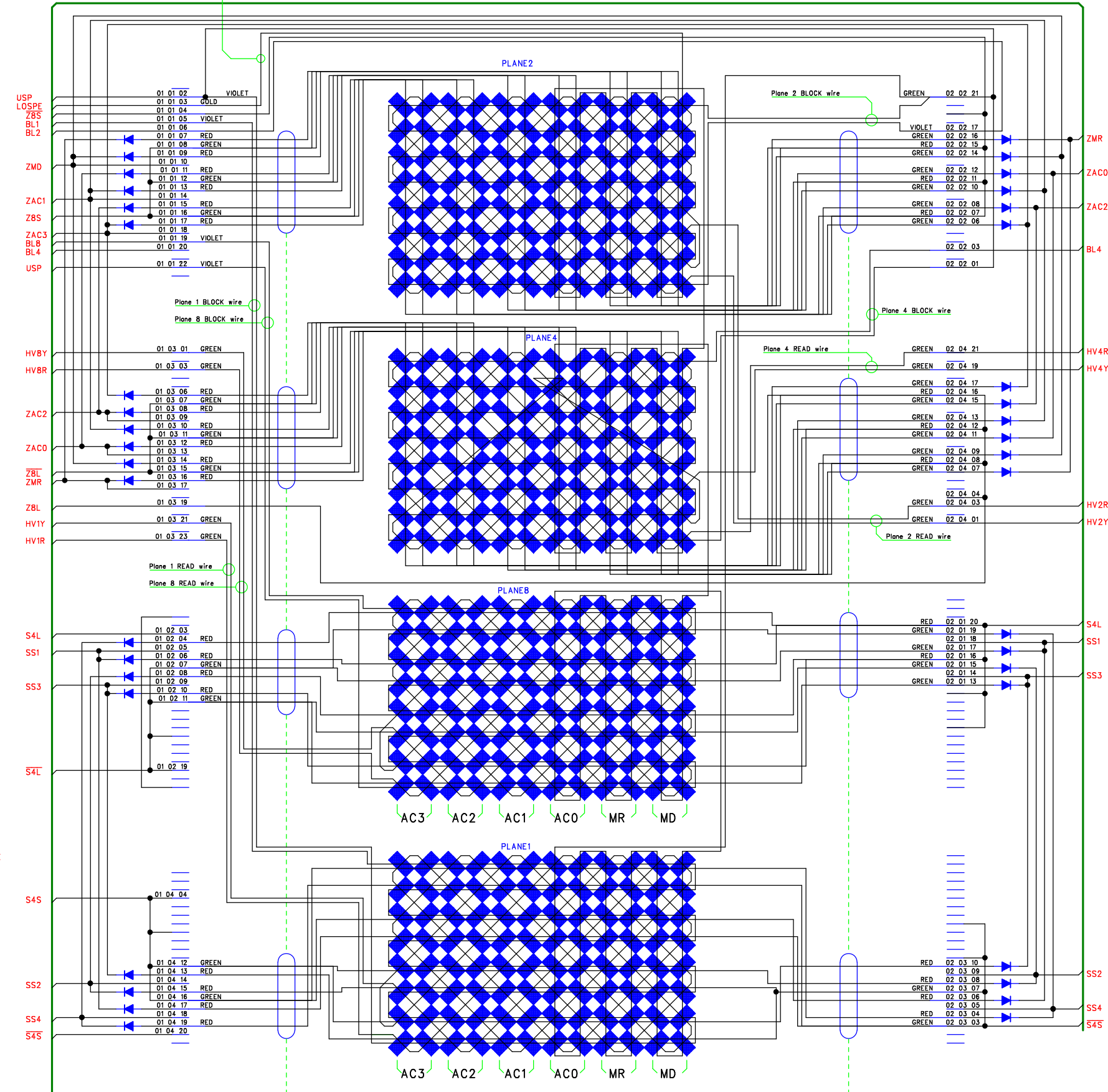
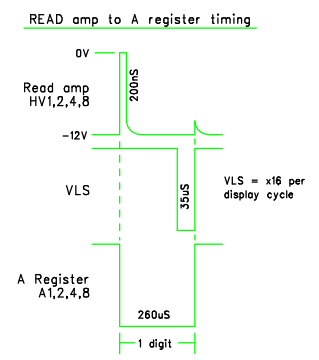
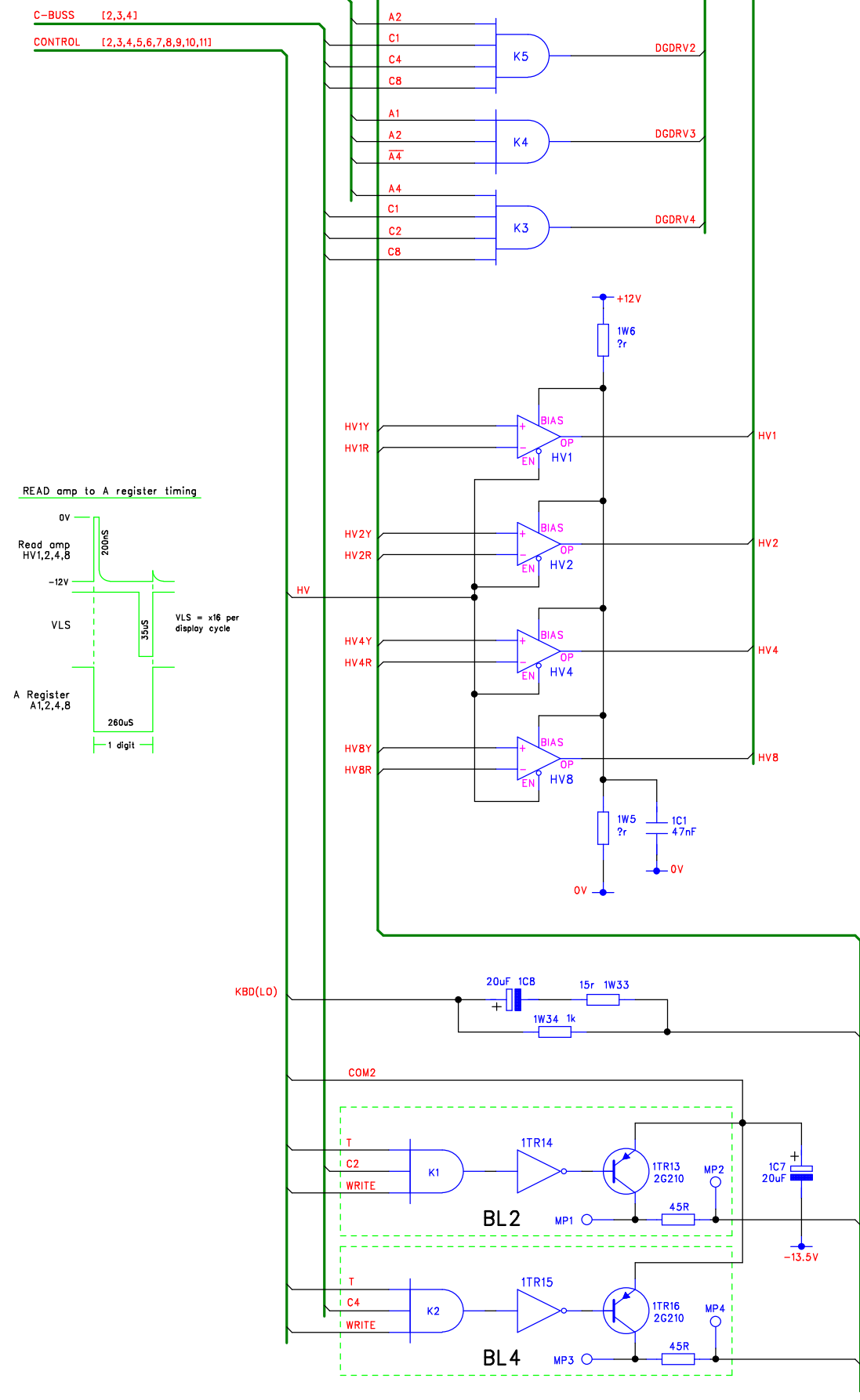


RevNo	Revision note	Date	By	Checked
-	-	-	-	-

Lö SPE only clears the MD, MR and ACO registers

- READ-BUSS [3]
- DIGIT-BUSS [3,4,9,12]
- CORE-BUSS [2]
- A-BUSS [3,4,6,7,8,9]
- C-BUSS [2,3,4]
- CONTROL [2,3,4,5,6,7,8,9,10,11]



Each of these eight groups of ROW / COLOUMN wire sets is shown passing through one plane only. They actually pass through all four planes.



DM Associates
33, Northbrook Road
Aldershot, Hampshire. GU11 3HE
Email: mike@soemtron.org
www.soemtron.org

Pcb Dwg # =		Scale	Nts	Title	
Drawn	Name	Sheet	1	Soemtron ETR 220 Calculator	
Checked	Date	Next Sheet	2	#1 - Core Memory	
		Drawing Number		Logic Diagram	
				Soemtron 220 Logic	A2 Issue A