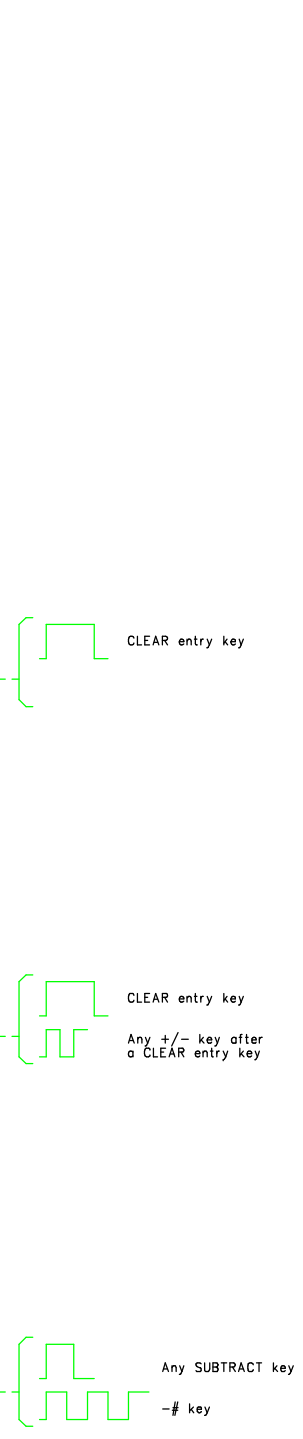
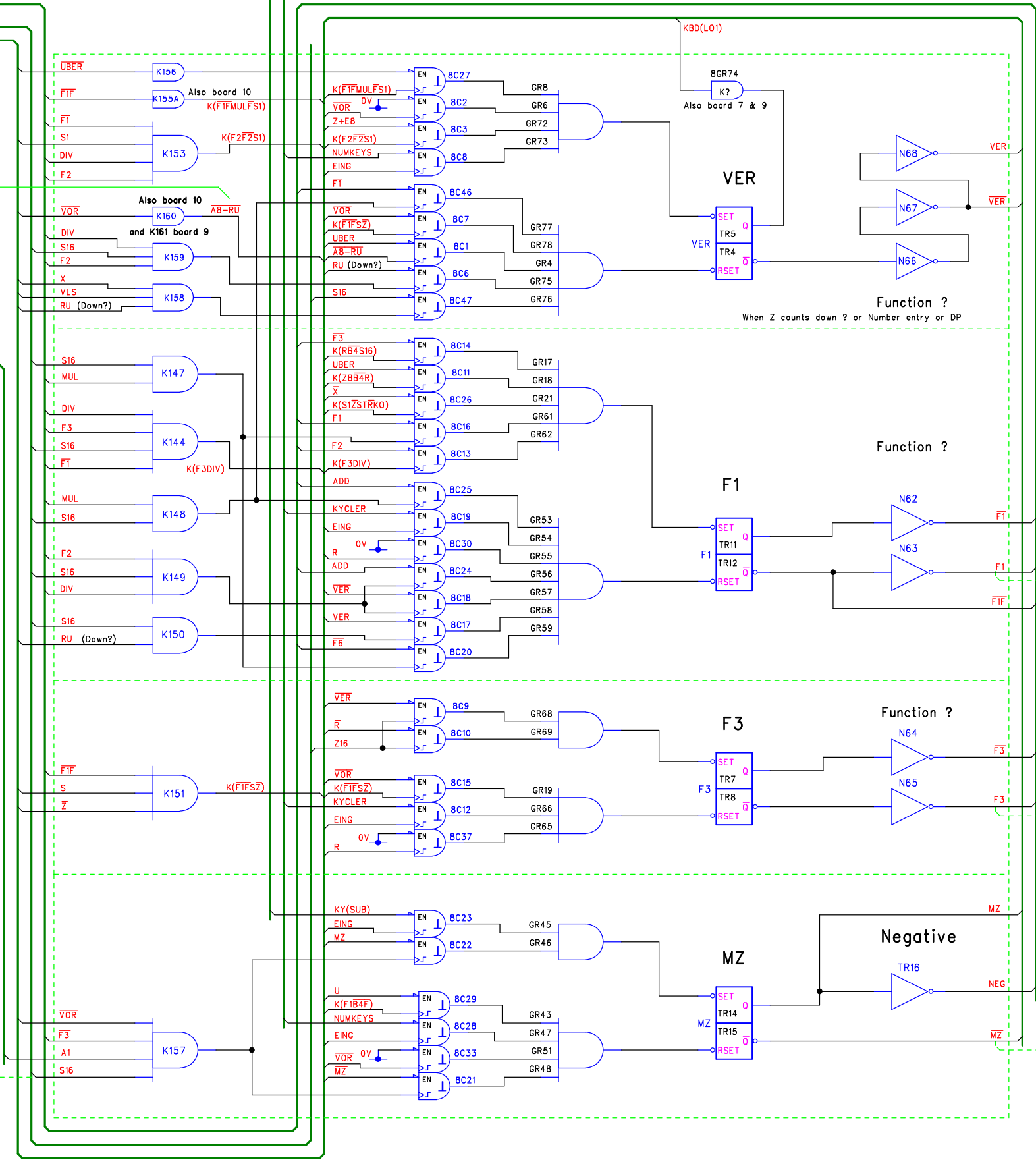
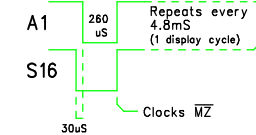


ENCODED-NUMBER [9,12]  
 ENCODED-FUNCTION [7,9,11]  
 FUNCTIONS [2,3,4,5,6,7,9,10]  
 Z-COUNTER [5,6,7,9,10,11]  
 CONTROL [1,2,3,4,5,6,7,9,10,11]  
 A-BUSS [1,3,4,6,7,9]

RevNo	Revision note	Date	By	Checked
-	-	-	-	-

Net  $\overline{A8-RU}$  is a mixed name net between boards 8, 9 & 10  
 Board 8 =  $K(\overline{VOR}, \overline{VLS}, \overline{A8}, \overline{R}, \overline{RU}, S16)$   
 Board 9 =  $K(\overline{VOR}, \overline{VLS}, \overline{A8}, \overline{R}, \overline{RU}, S16, AUSG)$   
 Board 10 =  $K(\overline{VOR}, \overline{VLS}, \overline{A8}, \overline{R}, \overline{RU}, AUSG)$



Negative logic referenced to 0V - Logical 1 = -12v, logical 0 = 0v



DM Associates  
 33, Northbrook Road  
 Aldershot, Hampshire. GU11 3HE  
 Email: mike@soemtron.org  
 www.soemtron.org

Pcb Dwg # =		Scale	Nts	Title	
Drawn	Name	Date	Sheet	Soemtron ETR 220 Calculator	
Checked	MD Hatch	10/9/2009	Next Sheet	#8 - Function Latches F2, F3 + others	
			Drawing Number	Soemtron 220 Logic	
				A2	Issue A