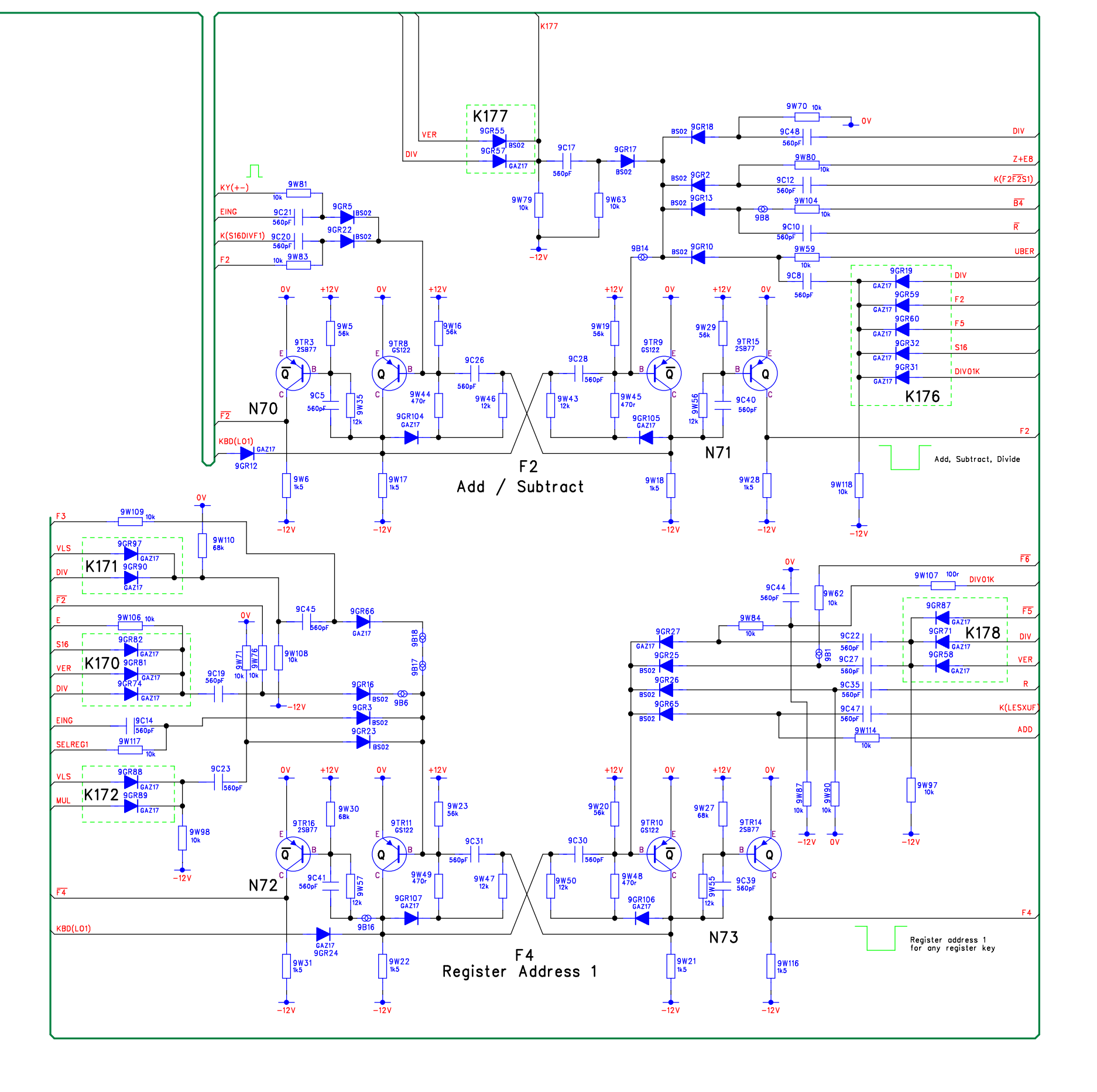
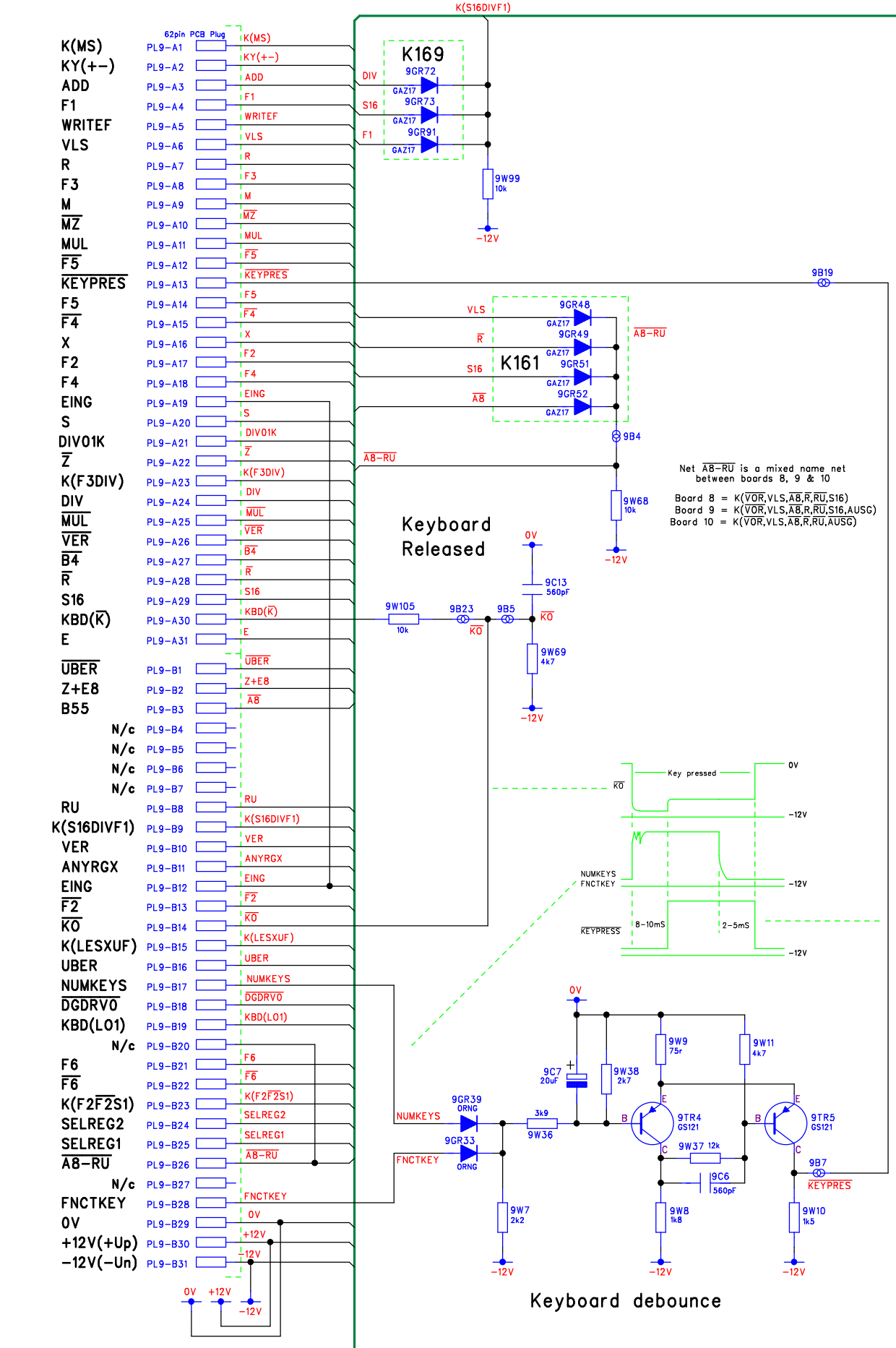



Comp side - 05-220-7009-2 0e  
 Solder side - 3041-05-220-7009-2 0h  
 Date coded -

RevNo	Revision note	Date	By	Checked
-	-	-	-	-



These diagrams are referenced to 0V - Logical 1 = -12v, logical 0 = 0V



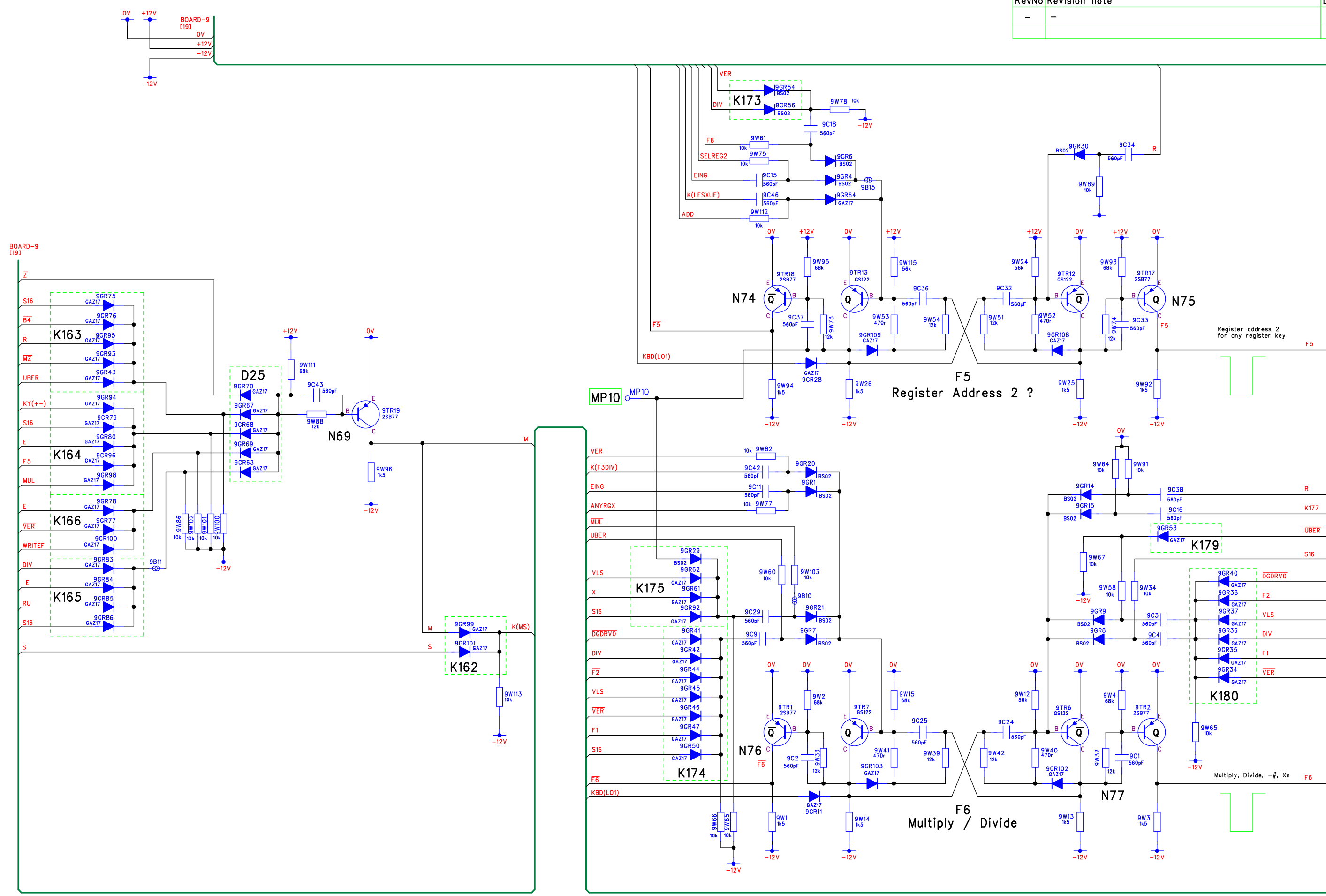
DM Associates  
 33, Northbrook Road  
 Aldershot, Hampshire. GU11 3HE  
 Email: mike@soemtron.org  
 www.soemtron.org

Pcb Dwg # =

Drawn	Name	Date	Scale	Nts	Title
Checked	MD Hatch	2/1/2008	Sheet	19	Soemtron ETR 220 Calculator
			Next Sheet	20	Function Latches F2, F4, F5, F6
			Drawing Number		BOARD 9 Sheet 1

© 2007 Mike Hatch. (www.soemtron.org)

RevNo	Revision note	Date	By	Checked
-	-	-	-	-



These diagrams are referenced to 0V - Logical 1 = -12v, logical 0 = 0V



DM Associates  
 33, Northbrook Road  
 Aldershot, Hampshire. GU11 3HE  
 Email: mike@soemtron.org  
 www.soemtron.org

Pcb Dwg # =		Scale	Nts	Title	
Drawn	Name	Date	Sheet	Soemtron ETR 20 Calculator	
Checked	MD Hatch	2/1/2008	Next Sheet	Function Latches F2, F4, F5, F6	
Drawing Number			20	BOARD 9 Sheet 2	
Soemtron 220			21	A2 Issue A	

© 2007 Mike Hatch. (www.soemtron.org)