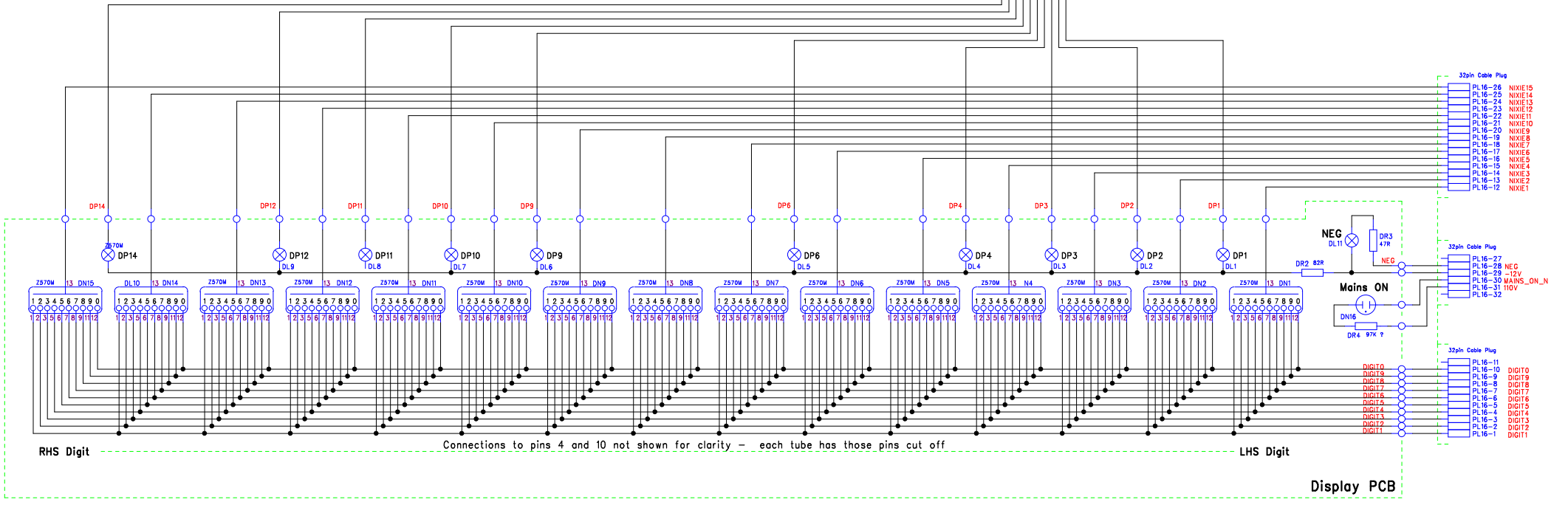
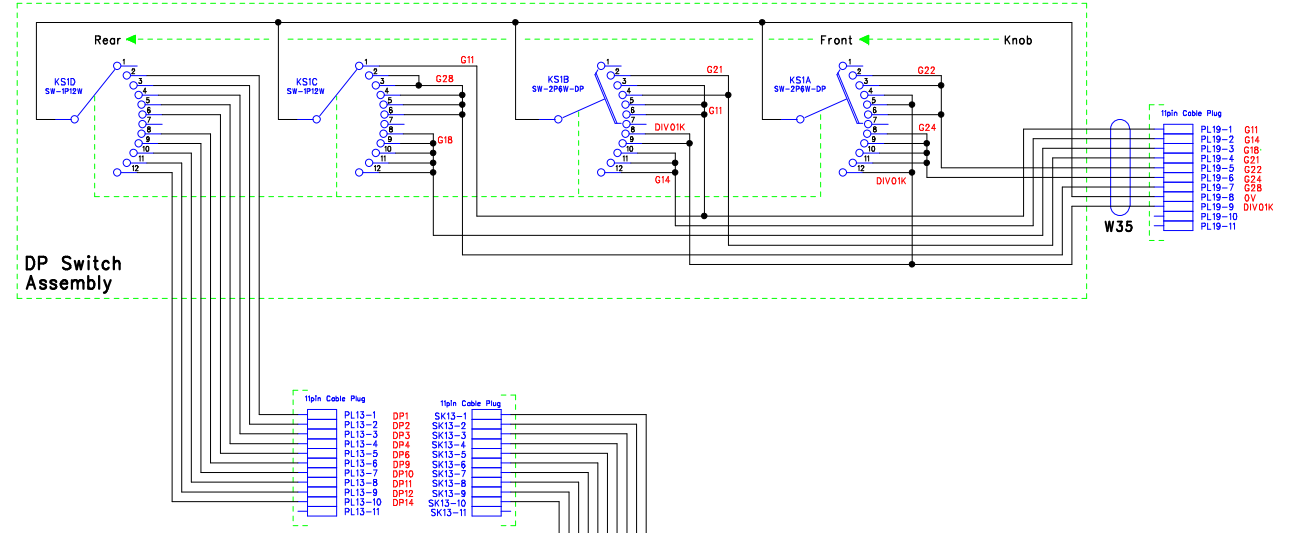


RevNo	Revision note	Date	By	Checked
-	-	-	-	-

Decimal Point Switch Wiring Table (X=0V)

Switch position	Switch position →														
	Pin	Function	0	1	2	3	4	5	6	Z	9	10	11	12	14
KS1D	PL4/1	2		X											
"	PL4/2	3			X										
"	PL4/3	4				X									
"	PL4/4	5					X								
"	PL4/5	6						X							
"	PL4/6	8							X						
"	PL4/7	9								X					
"	PL4/8	10									X				
"	PL4/9	11										X			
"	PL4/10	12											X		
KS1B	PL3/1	G11	X								X		X	X	X
"	PL3/2	G14		X							X	X	X	X	X
KS1C	PL3/3	G18			X						X	X	X	X	X
KS1B	PL3/4	G21			X		X				X	X			
KS1A	PL3/5	G22		X	X			X			X	X			X
"	PL3/6	G24		X	X	X	X				X	X	X		
KS1D	PL3/7	G28		X	X	X	X	X			X	X	X	X	
KS1A/B	PL3/9	DIV01K		X	X	X	X	X			X	X	X	X	X



DM Associates
 33, Northbrook Road
 Aldershot, Hampshire, GU11 3HE
 Email: mike@soemtron.org
 www.soemtron.org

Pcb Dwg # =		Scale	Nts	Title
Drawn	Name	Date	Sheet	2
Checked	MD Hatch	9/8/2007	Next Sheet	3
		Drawing Number	Soemtron 220	
		A2 Issue		A

These diagrams are referenced to 0V - Logical 1 = -12v, logical 0 = 0V