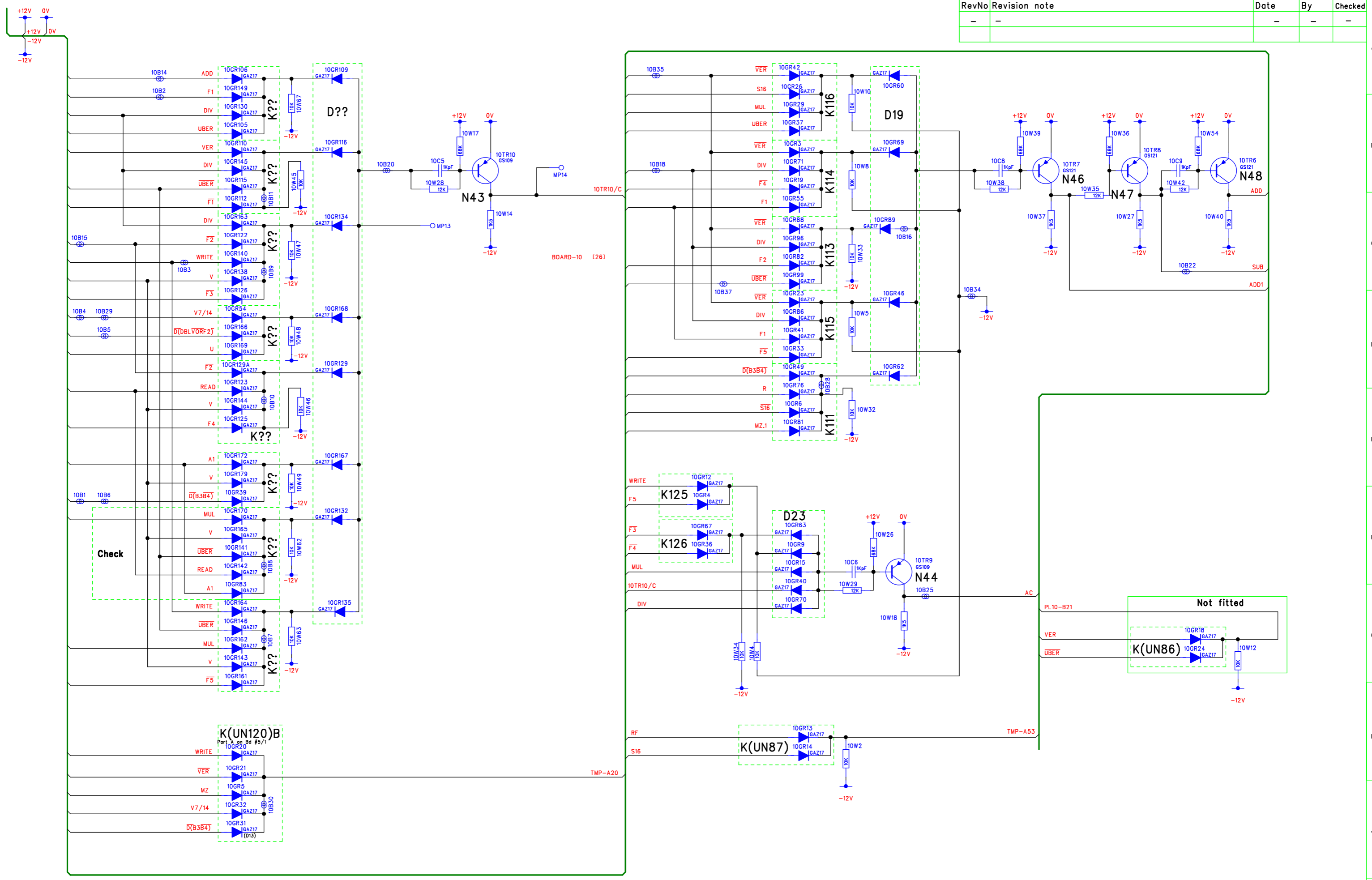




RevNo	Revision note	Date	By	Checked
-	-	-	-	-



These diagrams are referenced to 0V - Logical 1 = -12V logical 0 = 0V



DM Associates  
 33, Northbrook Road  
 Aldershot, Hampshire. GU11 3HE  
 Email: mike@soemtron.org  
 www.soemtron.org

Pcb Dwg # =		Scale	Nts	Title	
Drawn	Name	Date	Sheet	Soemtron ETR 222 Calculator	
Checked	MD Hatch	15/8/2017	Next Sheet	Transcribed Misc Circuits	
			Drawing Number	Board 10/2 - Misc Gating	
				Soemtron 222	A2 Issue A