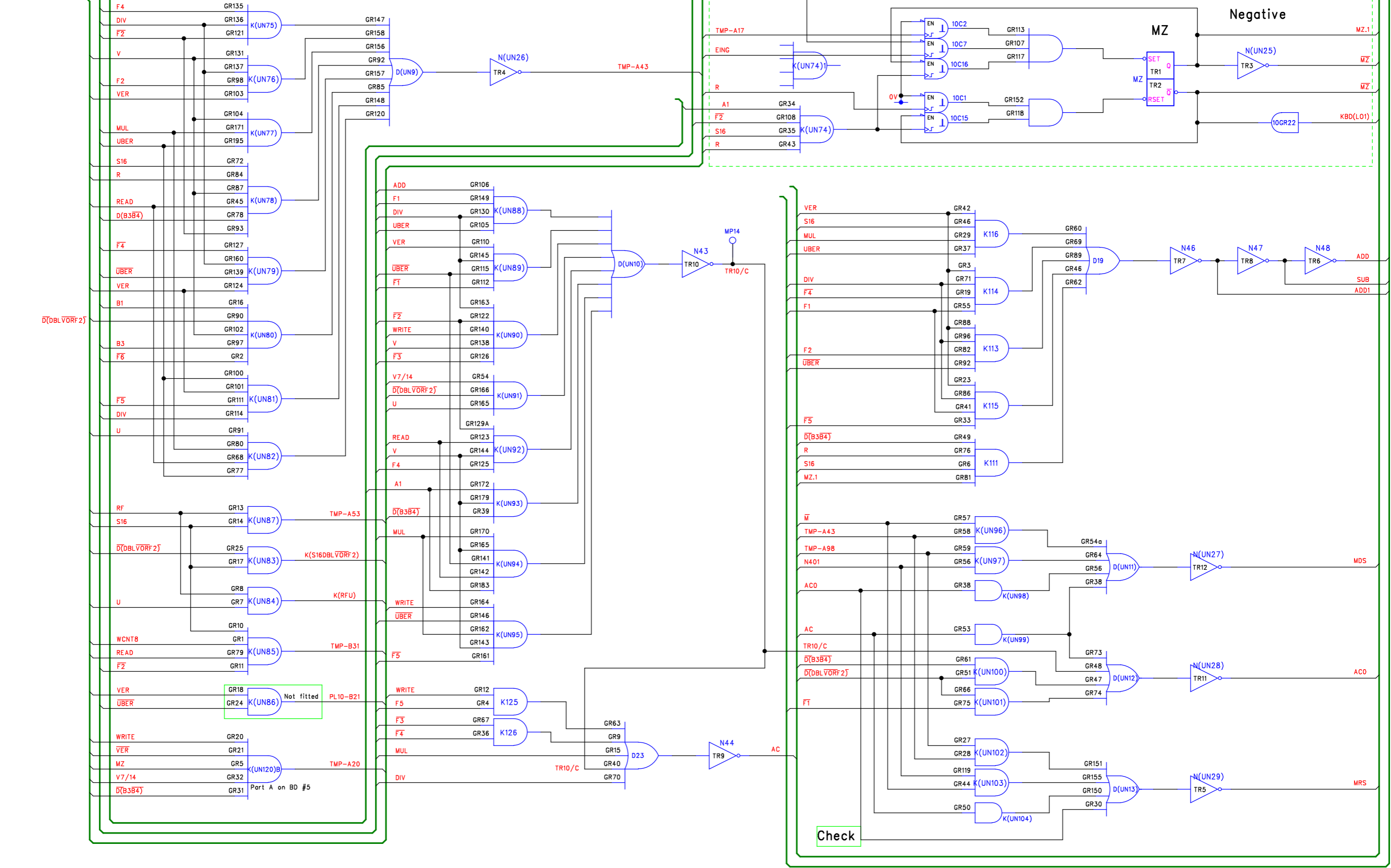


| RevNo | Revision note | Date | By | Checked |
|-------|---------------|------|----|---------|
| - | - | - | - | - |

ENCODED-FUNCTION [3,5,6,11,12,13,15]
A-BUSS [1,3,6,7,8,11,12,14,15]
FUNCTIONS [2,3,4,5,6,7,8,9,11,12,15]
CONTROL [1,2,3,4,5,6,7,8,9,11,12,14,15,16]



Missing component on board 10
GR128, GR159, GR94, GR173, GR174
GR175, GR176, GR177, GR178, B21



DM Associates
33, Northbrook Road
Aldershot, Hampshire. GU11 3HE
Email: mike@soemtron.org
www.soemtron.org

| | | | | |
|-------------|------------------|--------------------|------------------|--|
| Pcb Dwg # = | | Scale | Nts | Title Soemtron ETR 222 Calculator #10 - MZ, Misc Gating Logic Diagram |
| Drawn | Name MD Hatch | Date 08/03/2021 | Sheet 10 | |
| Checked | | | Next Sheet 11 | Drawing Number Soemtron 222 Logic |
| | | | | |

Negative logic referenced to 0V - Logical 1 = -12v, logical 0 = 0v