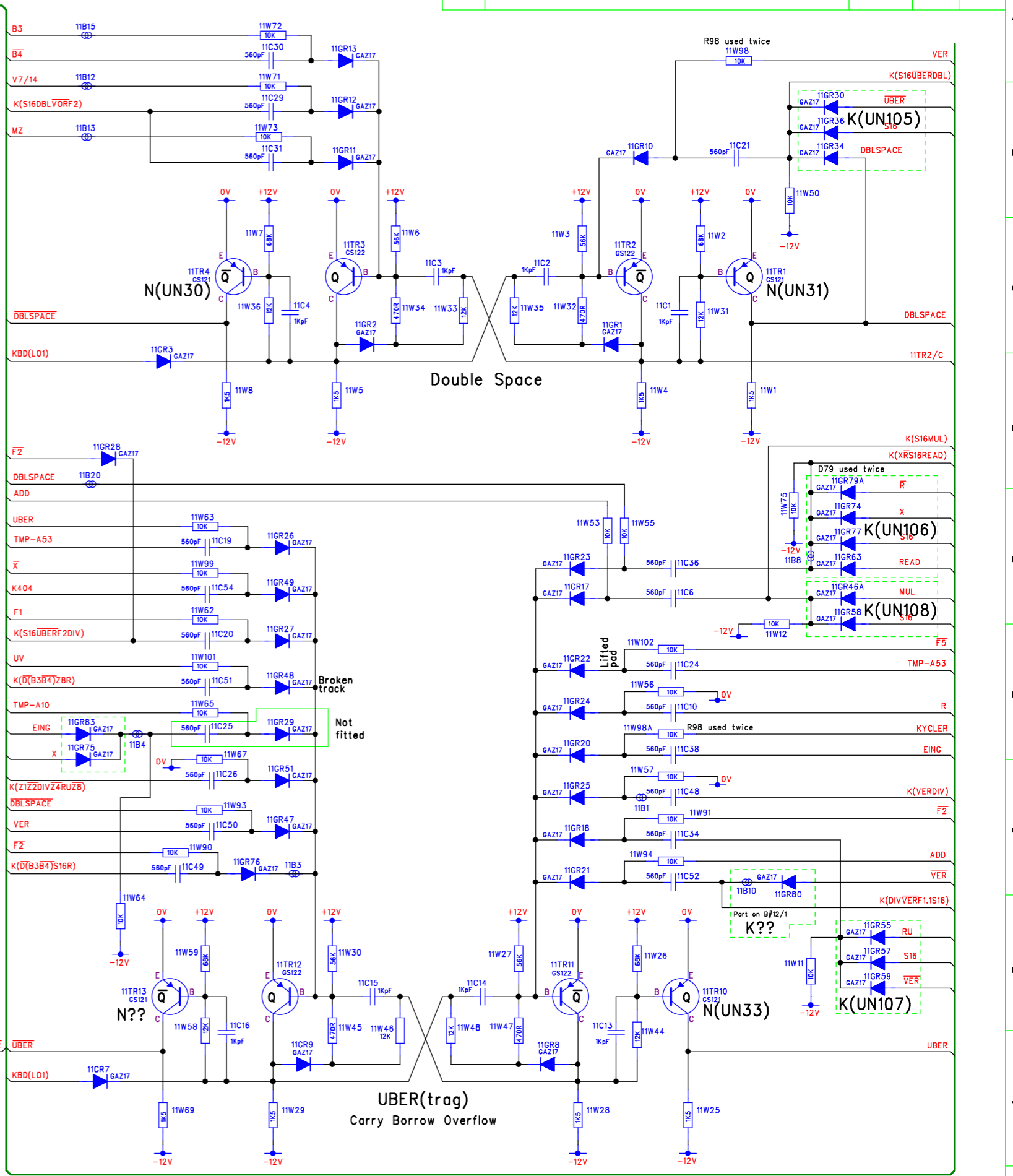
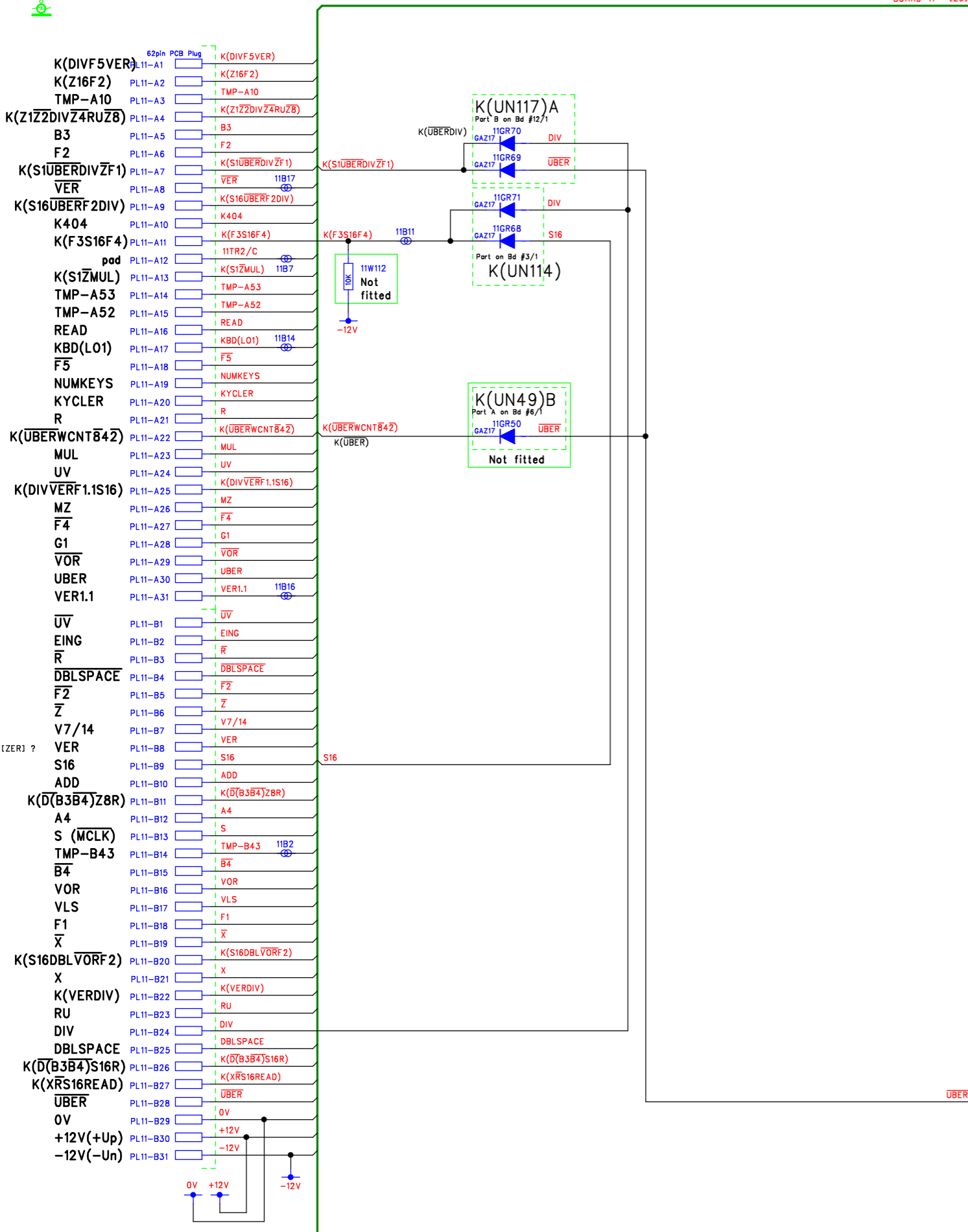


Comp side -
 Solder side - 224-307-011a 3970
 Date coded - 20/73

RevNo	Revision note	Date	By	Checked
-	-	-	-	-



BOARD-11 [29]

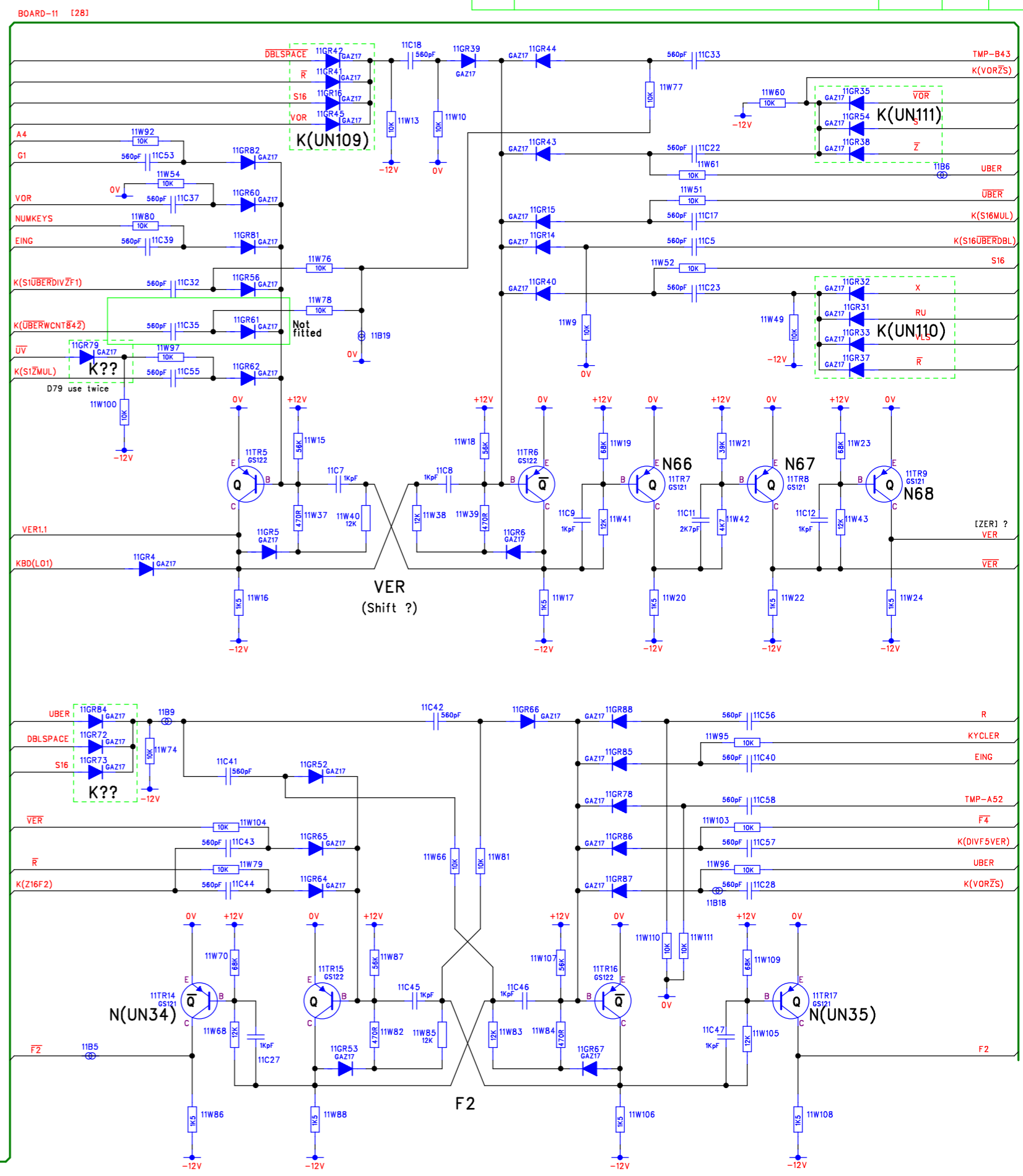
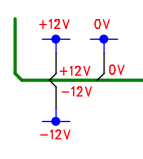
These diagrams are referenced to 0V - Logical 1 = -12V, logical 0 = 0V



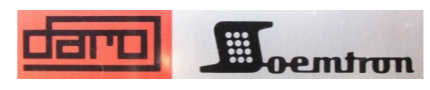
DM Associates
 33, Northbrook Road
 Aldershot, Hampshire. GU11 3HE
 Email: mike@soemtron.org
 www.soemtron.org

Pcb Dwg # =		Scale	Nts	Title
Drawn	Name	Sheet	28	Soemtron ETR 222 Calculator
Checked	Date	Next Sheet	29	Transcribed Misc Circuits
	8/10/2018	Drawing Number		Board 11/1 - UBER & ?
				Soemtron 222 A2 Issue A

RevNo	Revision note	Date	By	Checked
-	-	-	-	-



These diagrams are referenced to 0V - Logical 1 = -12V, logical 0 = 0V



DM Associates
 33, Northbrook Road
 Aldershot, Hampshire. GU11 3HE
 Email: mike@soemtron.org
 www.soemtron.org

Pcb Dwg # =

Drawn	Name	Date	Scale	Nts
Checked	MD Hatch	8/10/2018	Sheet	29
			Next Sheet	30
			Drawing Number	Soemtron 222

Title
 Soemtron ETR 222 Calculator
 Transcribed Misc Circuits
 Board 11/2 - Ver & F2
 A2 Issue A

© 2018 Mike Hatch. (www.soemtron.org)