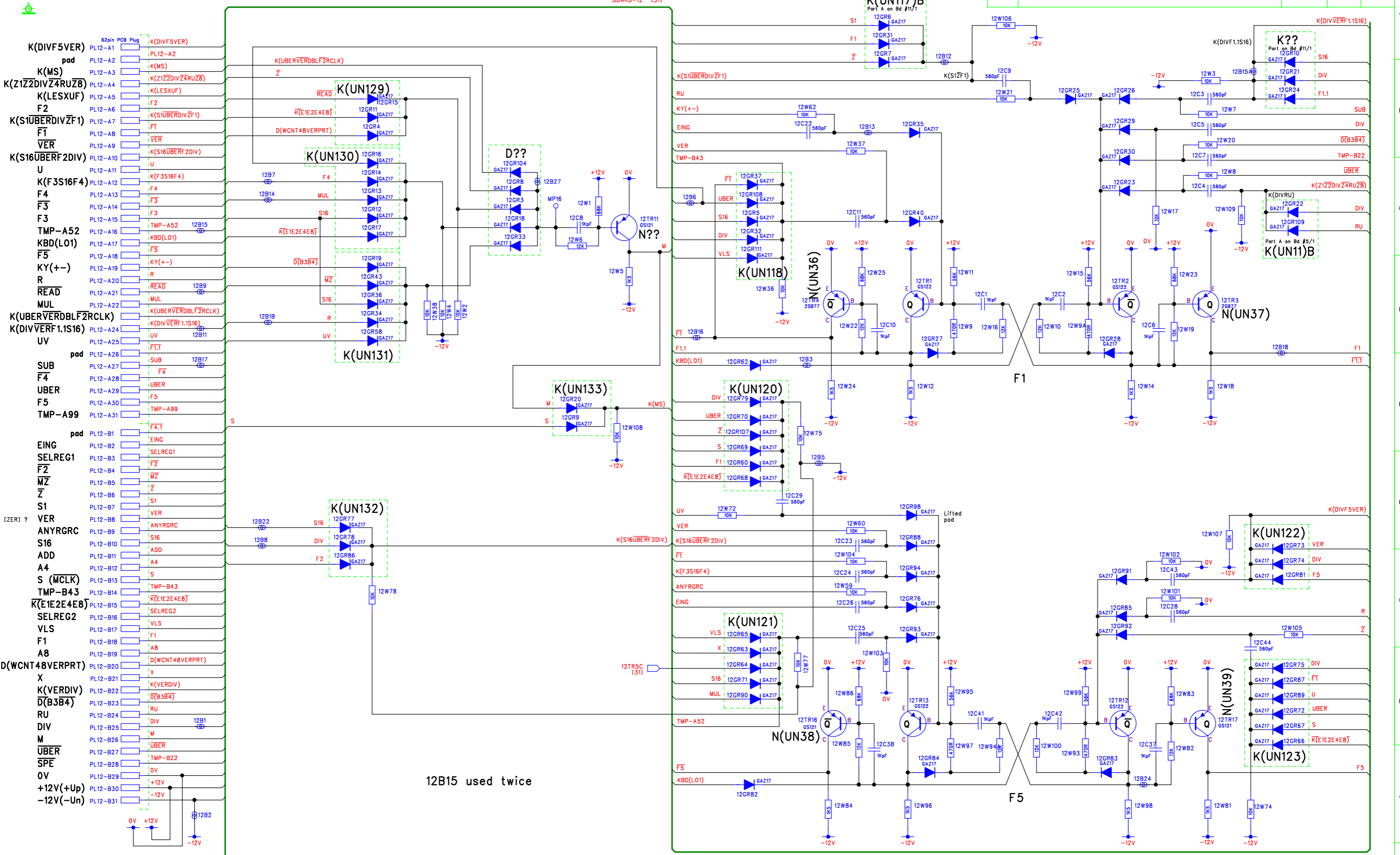


RevNo	Revision note	Date	By	Checked
-	-	-	-	-

Comp side -
Solder side - 224-307-012d 3971-
Date coded - None



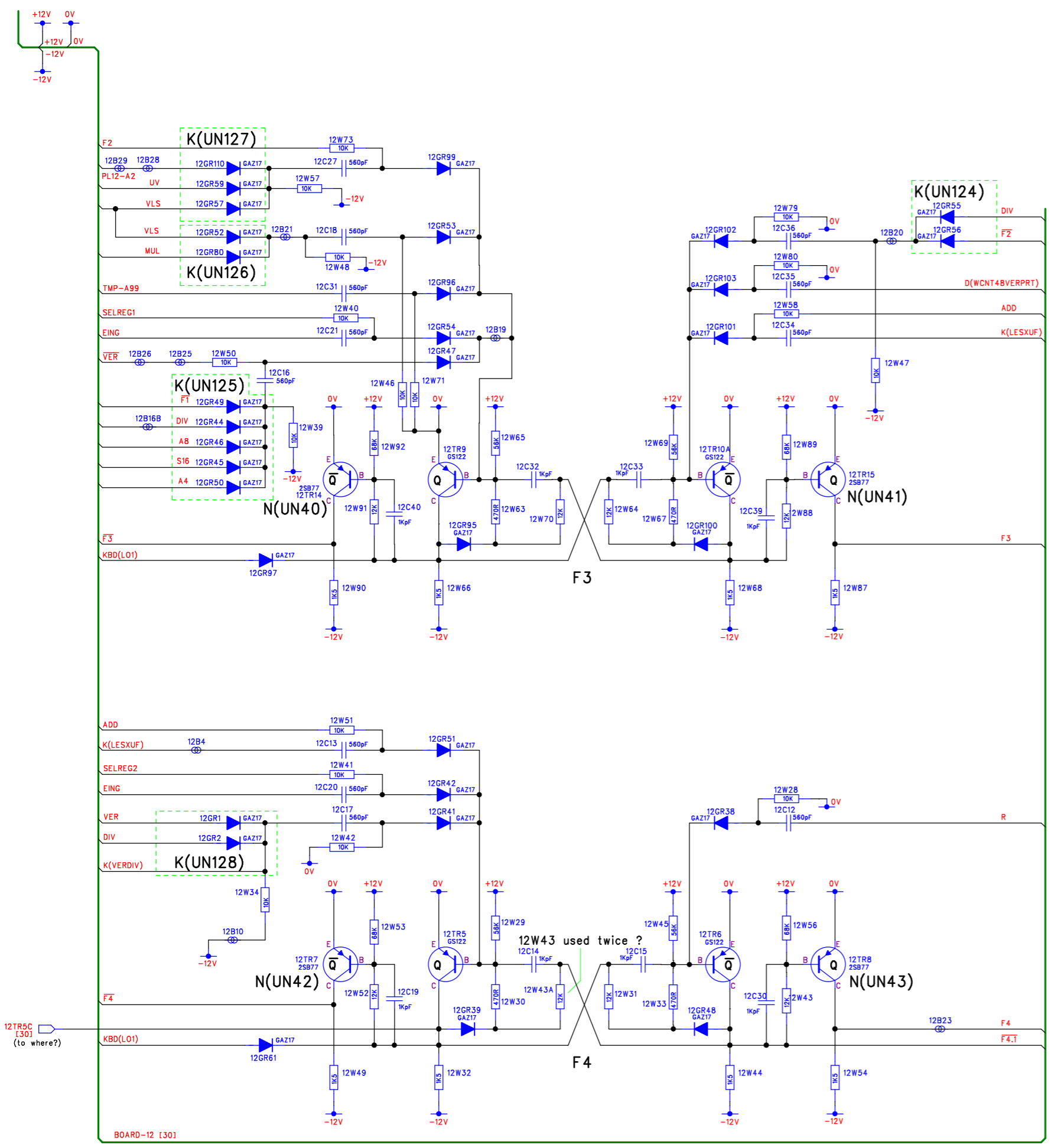
These diagrams are referenced to 0V - Logical 1 = -12V, logical 0 = 0V

DM Associates
33, Northbrook Road
Aldershot, Hampshire. GU11 3HE
Email: mike@soemtron.org
www.soemtron.org

© 2018 Mike Hatch. (www.soemtron.org)

Pcb Dwg # =		Scale	Nts	Title	
Drawn	Name	Sheet	30	Soemtron ETR 222 Calculator	
Checked	Date	Next Sheet	31	Transcribed Misc Circuits	
		Drawing Number		Board 12/1 - F1 & F5	
				Soemtron 222	A2 Issue A

RevNo	Revision note	Date	By	Checked
-	-	-	-	-



These diagrams are referenced to 0V - Logical 1 = -12V, logical 0 = 0V



© 2018 Mike Hatch. (www.soemtron.org)

DM Associates
 33, Northbrook Road
 Aldershot, Hampshire. GU11 3HE
 Email: mike@soemtron.org
 www.soemtron.org

Pcb Dwg # =		Scale	Nts	Title Soemtron ETR 222 Calculator Transcribed Misc Circuits Board 12/2 - F3 & F4
Drawn	Name	Sheet	31	
Checked	Date	Next Sheet	32	
		Drawing Number	Soemtron 222	
			A2	Issue
				A