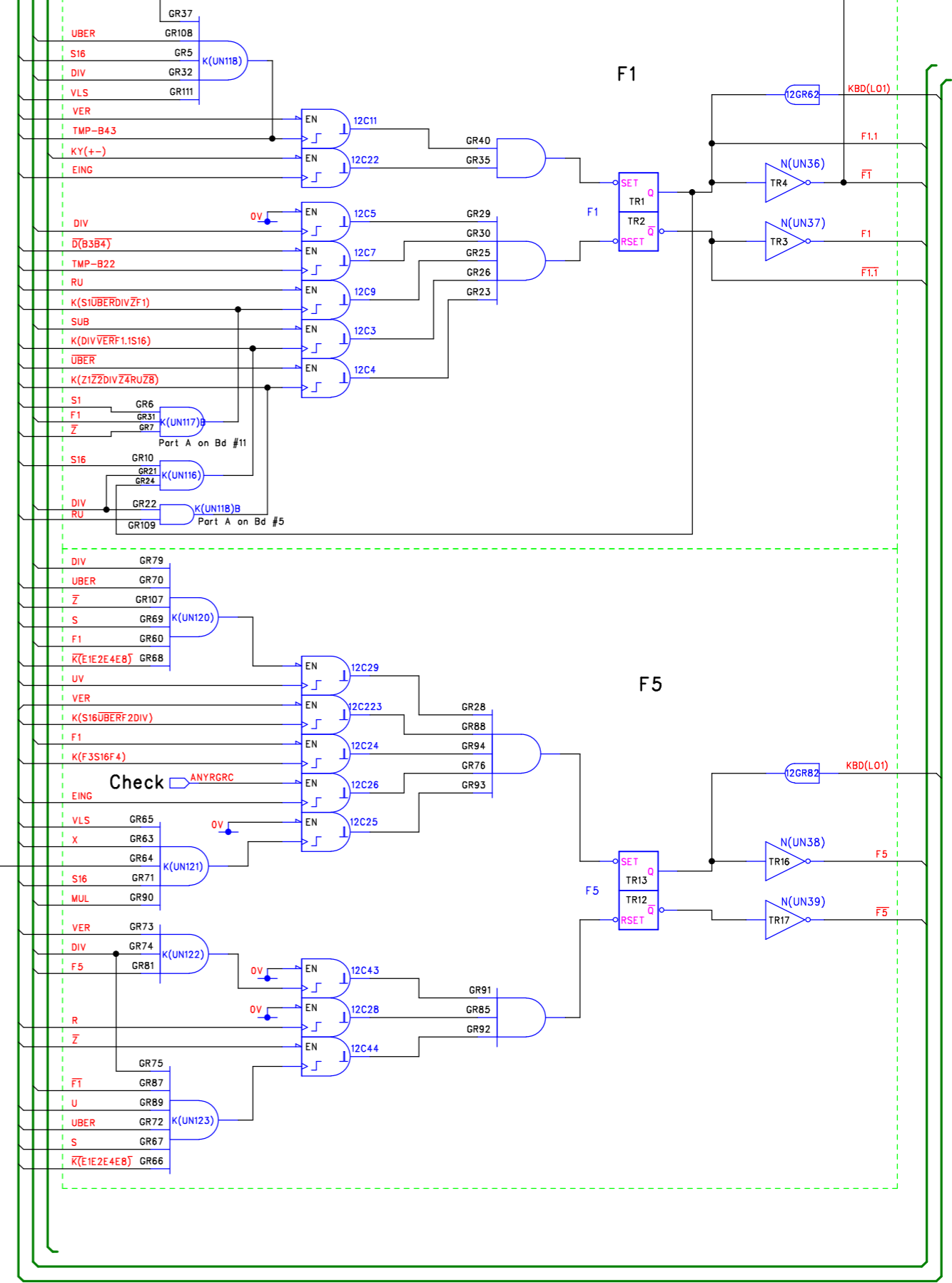
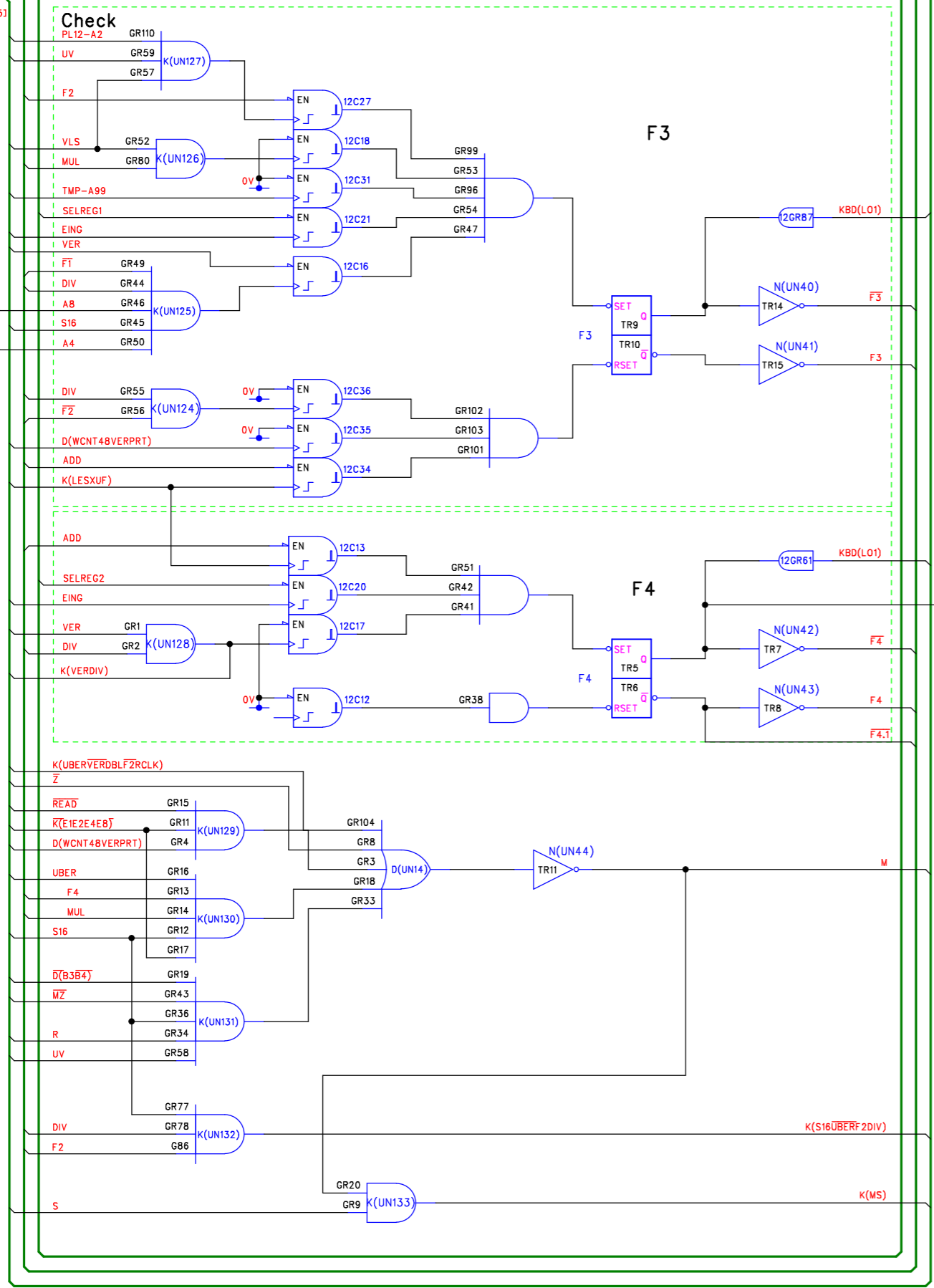


RevNo	Revision note	Date	By	Checked
-	-	-	-	-

ENCODED-FUNCTION [3,5,6,10,11,13,15]  
 FUNCTIONS [2,3,4,5,6,7,8,9,10,11,15]  
 CONTROL [1,2,3,4,5,6,7,8,9,10,11,14,15,16]  
 A-BUSS [1,3,6,7,8,10,11,14,15]



Negative logic referenced to 0V - Logical 1 = -12v, logical 0 = 0v



DM Associates  
 33, Northbrook Road  
 Aldershot, Hampshire. GU11 3HE  
 Email: mike@soemtron.org  
 www.soemtron.org

Pcb Dwg # =		Scale	Nts	Title	
Drawn	Name	Date	Sheet	Soemtron ETR 222 Calculator	
Checked	MD Hatch	12/03/2021	Next Sheet	#12 - F1, F3, F4 and F5 Latches	
			Drawing Number	Soemtron 222 Logic	
				A2 Issue	A