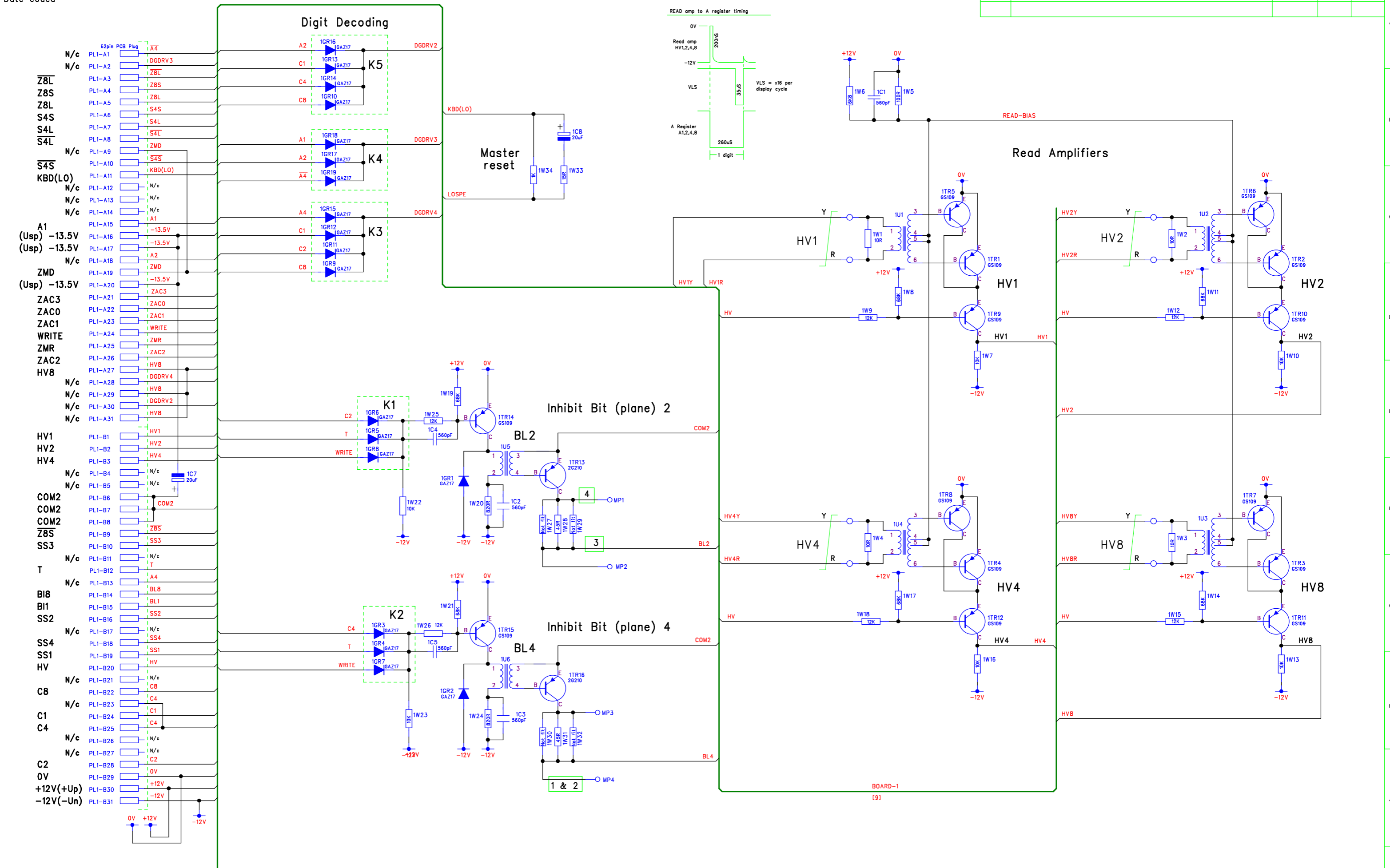


RevNo	Revision note	Date	By	Checked
-	-	-	-	-

Comp side - ETR 220  
 Solder side - 3033- 220-317-001-c  
 Date coded -



These diagrams are referenced to 0V - Logical 1 = -12V, logical 0 = 0V



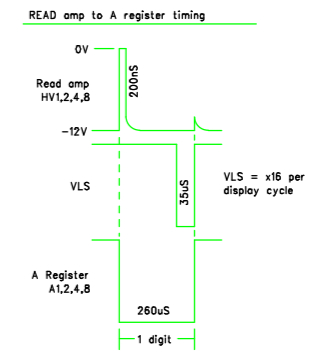
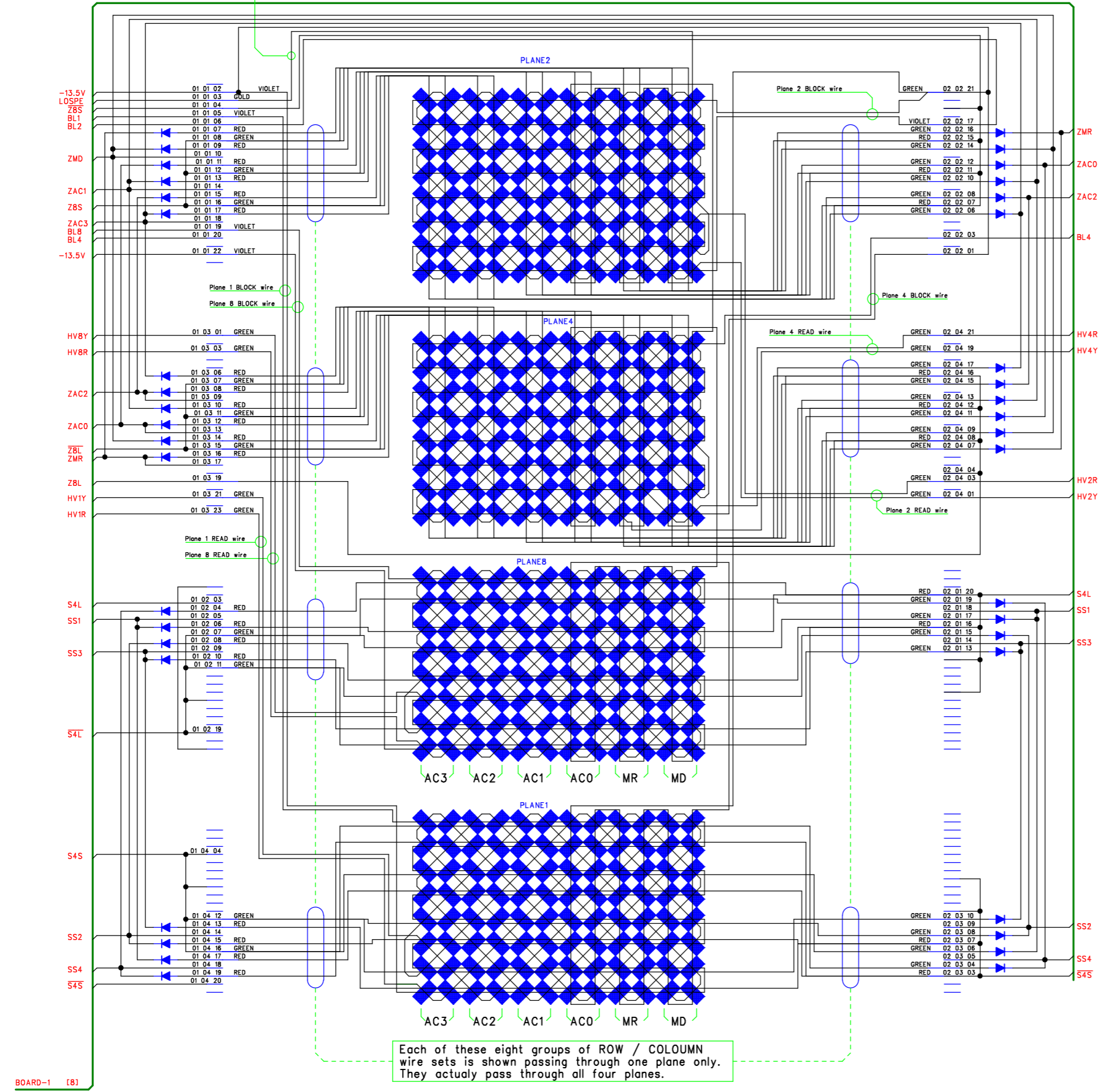
© 2017 Mike Hatch. (www.soemtron.org)

DM Associates  
 33, Northbrook Road  
 Aldershot, Hampshire. GU11 3HE  
 Email: mike@soemtron.org  
 www.soemtron.org

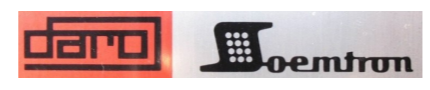
Pcb Dwg # =		Scale	Nts	Title	
Drawn	Name	Sheet	8	Soemtron ETR 222 Calculator	
Checked	Date	Next Sheet	9	Transcribed Misc Circuits	
	MD Hatch	15/8/2017		Board 1- [Digit Decoding and Read Amps]	
				Drawing Number	Soemtron 222
				A2 Issue	A

RevNo	Revision note	Date	By	Checked
-	-	-	-	-

Lö SPE only clears the MD, MR and ACO registers



These diagrams are referenced to 0V - Logical 1 = -12V, logical 0 = 0V



DM Associates  
33, Northbrook Road  
Aldershot, Hampshire. GU11 3HE  
Email: mike@soemtron.org  
[www.soemtron.org](http://www.soemtron.org)

Pcb Dwg # =

Name	Date
Drawn MD Hatch	15/8/2017
Checked -	-

Scale	Nts
Sheet 9	9
Next Sheet 10	10
Drawing Number	Soemtron 222

Title
Soemtron ETR 222 Calculator Transcribed Misc Circuits Board 1/2 - Core Store Planes
Issue A

© 2017 Mike Hatch. (www.soemtron.org)