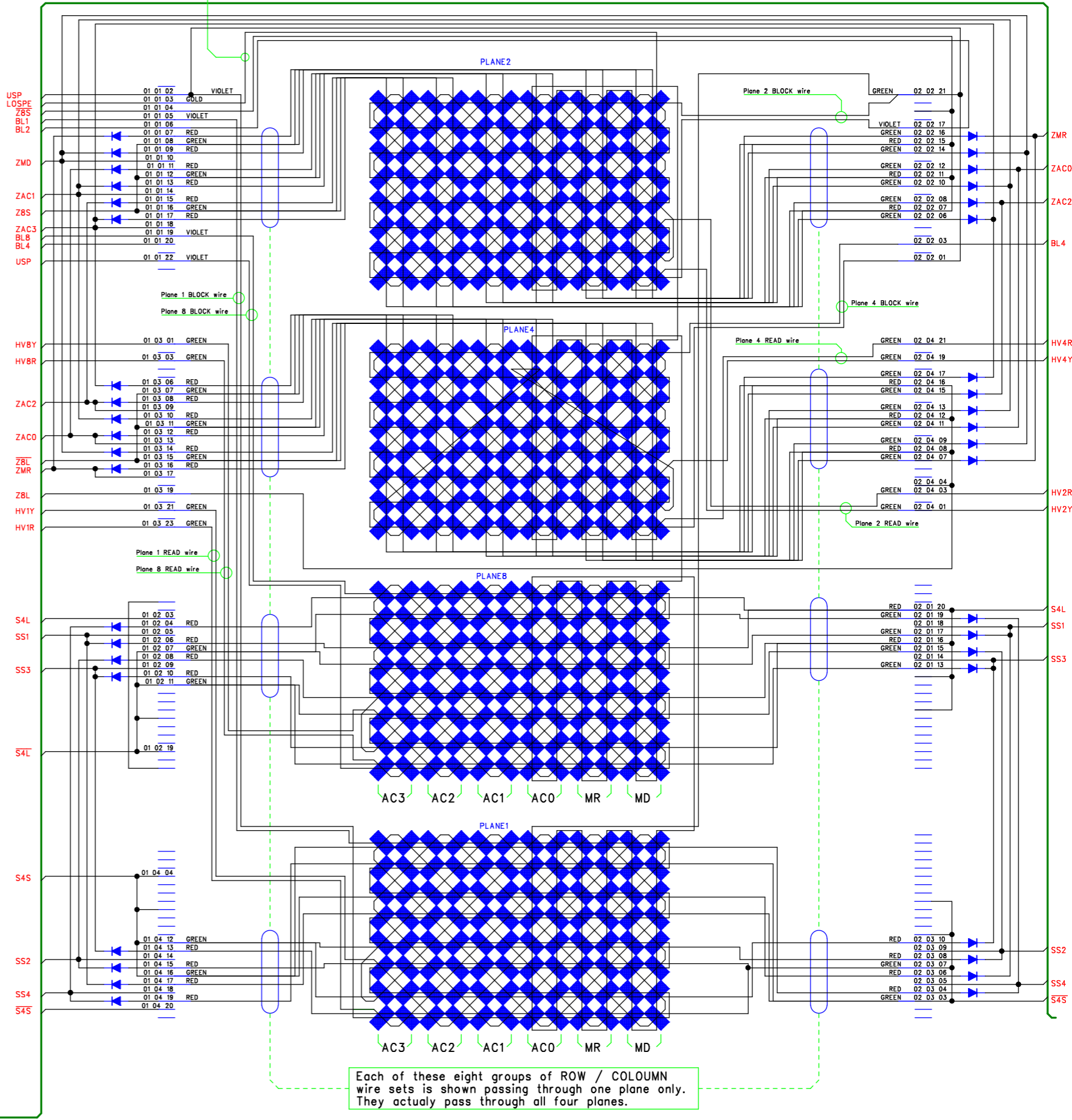
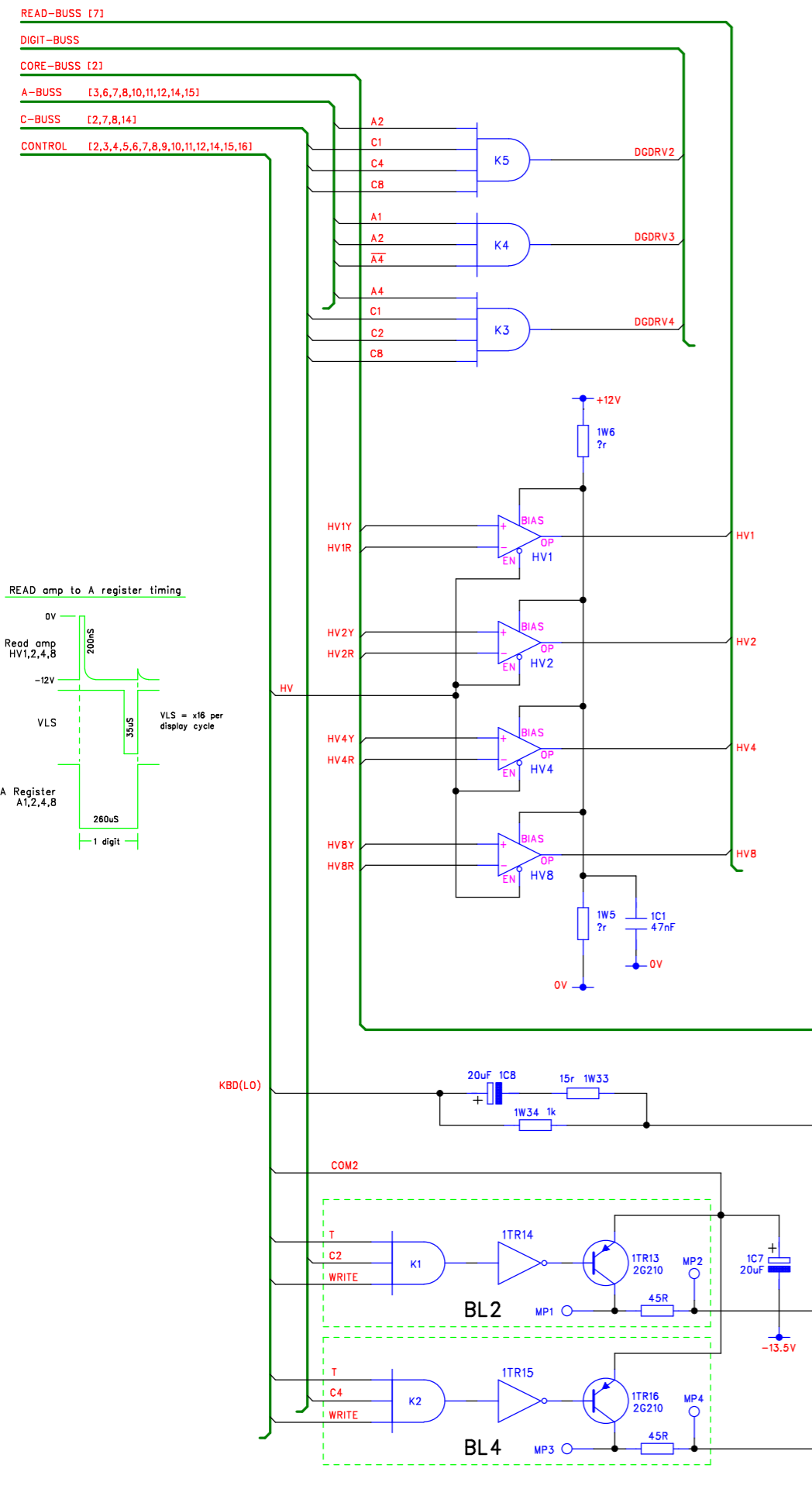


RevNo	Revision note	Date	By	Checked
-	-	-	-	-

Lö SPE only clears the MD, MR and AC0 registers



Each of these eight groups of ROW / COLOUMN wire sets is shown passing through one plane only. They actually pass through all four planes.



DM Associates  
 33, Northbrook Road  
 Aldershot, Hampshire. GU11 3HE  
 Email: mike@soemtron.org  
 www.soemtron.org

Pcb Dwg # =		Scale	Nts	Title	
Drawn	Name	Sheet	1	Soemtron ETR 222 Calculator	
Checked	Date	Next Sheet	2	#1 - Core Memory	
		Drawing Number		Logic Diagram	
				Soemtron 222 Logic	A2 Issue A

© 2021 Mike Hatch. (www.soemtron.org)