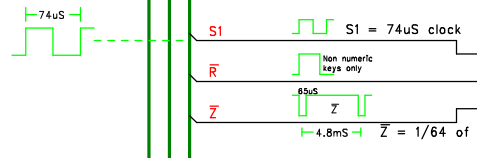
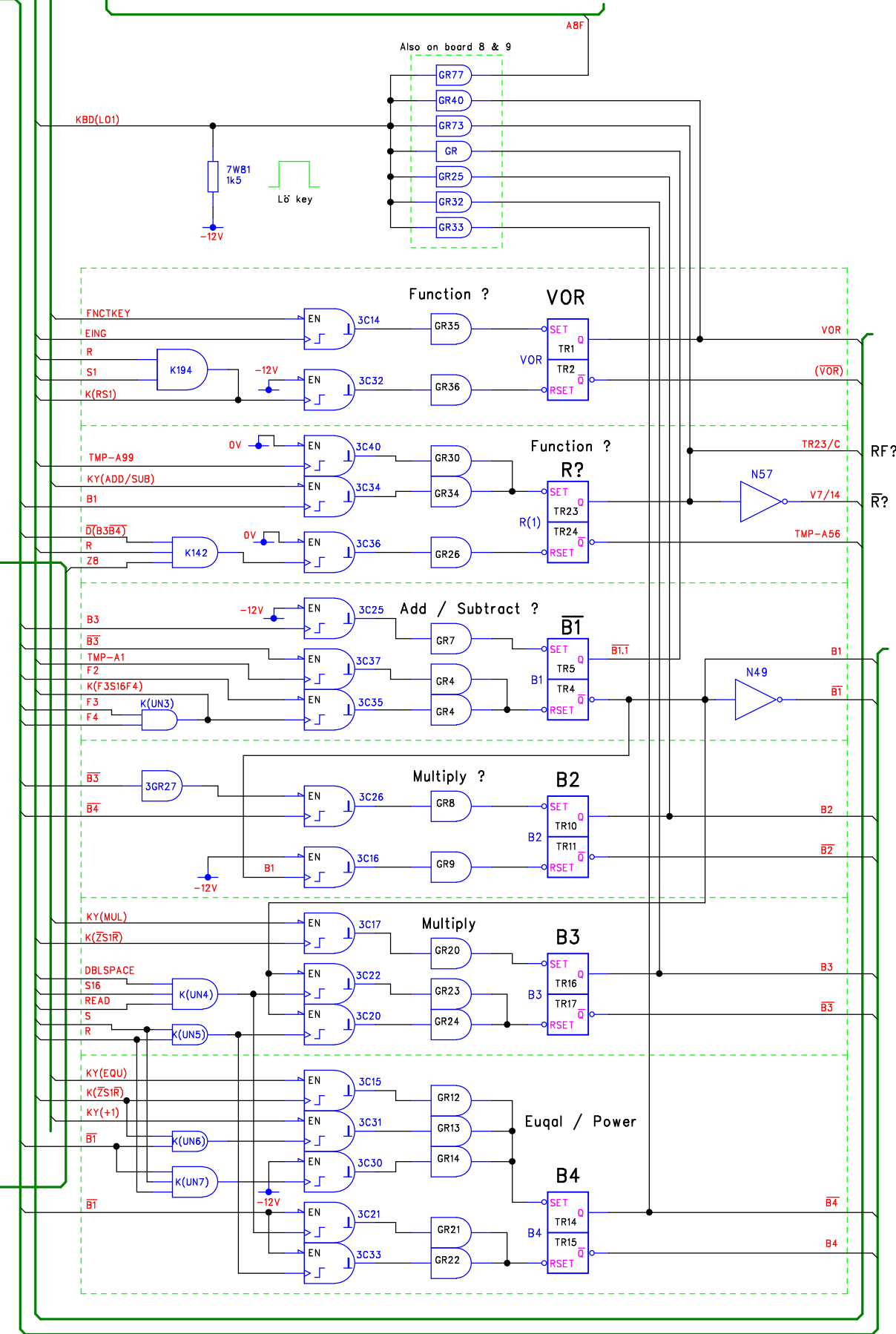
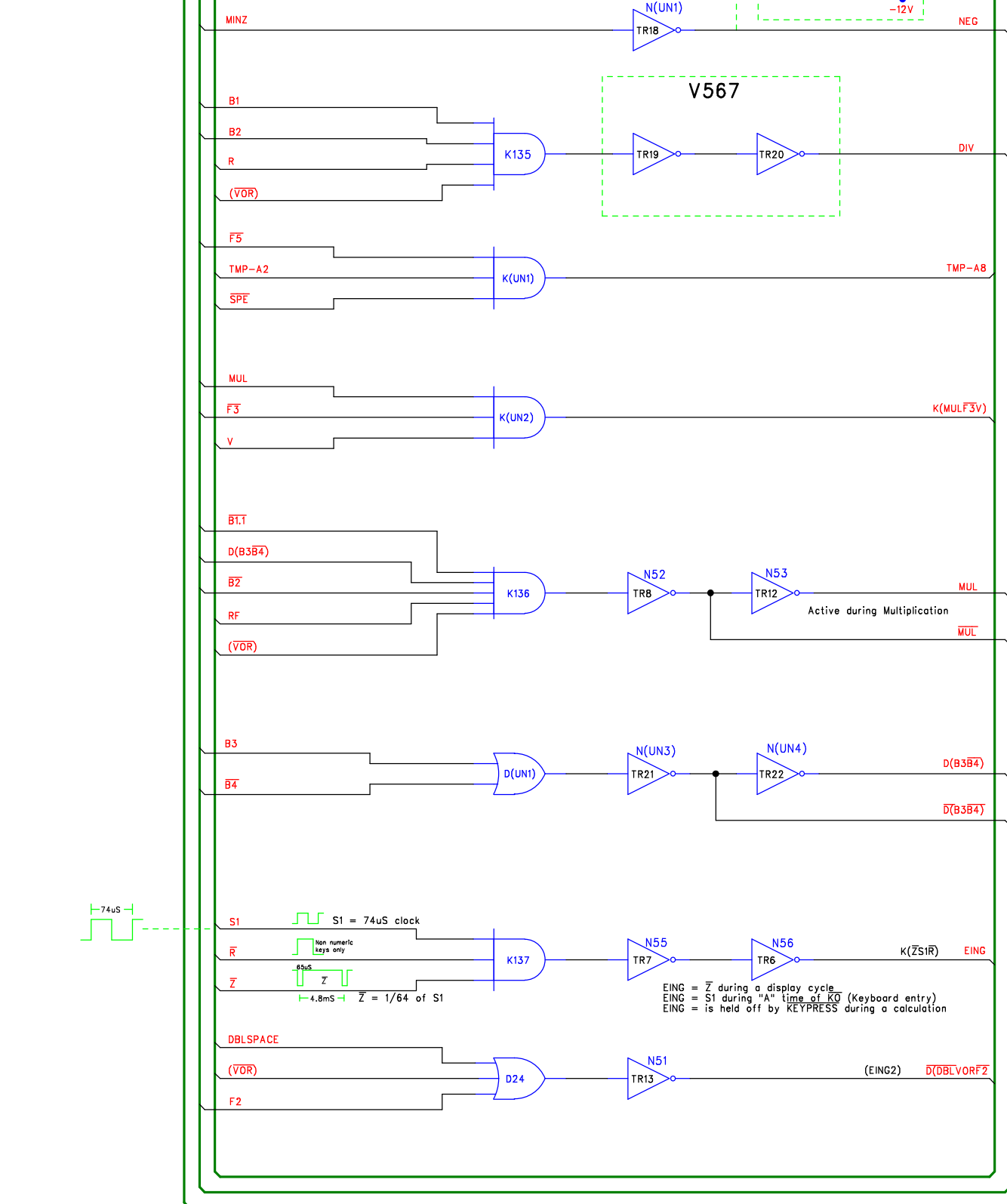


A-BUSS [1,6,7,8,10,11,12,14,15]  
 ENCODED-FUNCTION [5,6,10,11,12,13,15]  
 CONTROL [1,2,4,5,6,7,8,9,10,11,12,14,15,16]  
 FUNCTIONS [2,4,5,6,7,8,9,10,11,12,15]  
 Z-COUNTER [2,4,5,8]

RevNo	Revision note	Date	By	Checked
-	-	-	-	-



EING = Z during a display cycle  
 EING = S1 during "A" time of K0 (Keyboard entry)  
 EING = is held off by KEYPRESS during a calculation



DM Associates  
 33, Northbrook Road  
 Aldershot, Hampshire. GU11 3HE  
 Email: mike@soemtron.org  
 www.soemtron.org

Pcb Dwg # =		Scale	Nts	Title	
Drawn	Name	Date	Sheet	Soemtron ETR 220 Calculator	
Checked	MD Hatch	4/02/2021	Next Sheet	#3 - Functions B1/2/3/4 - VOR	
			Drawing Number	Soemtron 222 Logic	
				A2 Issue	A

Negative logic referenced to 0V - Logical 1 = -12v, logical 0 = 0v