

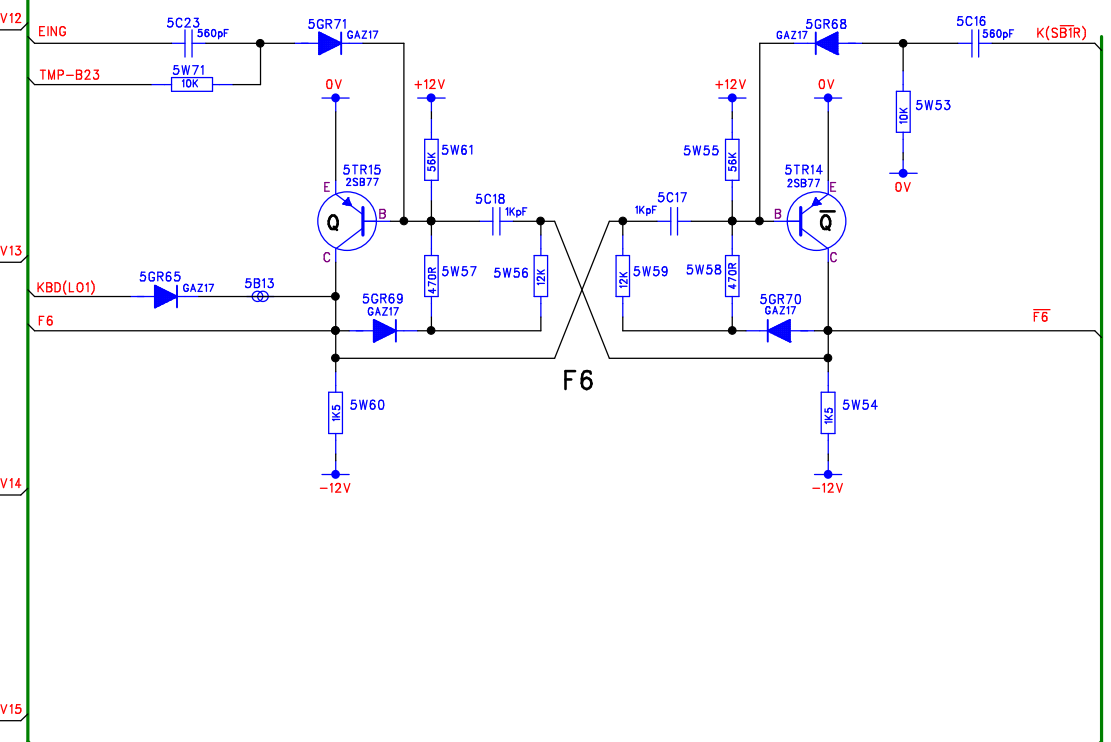
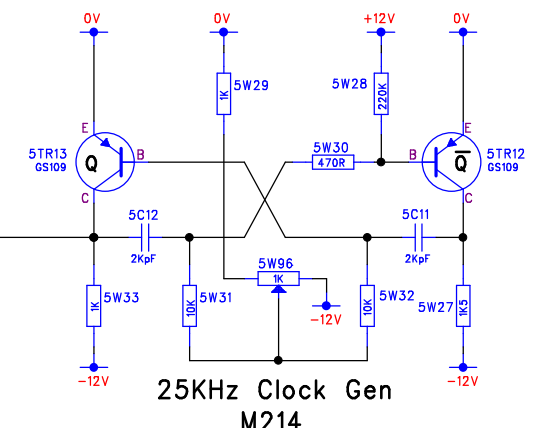
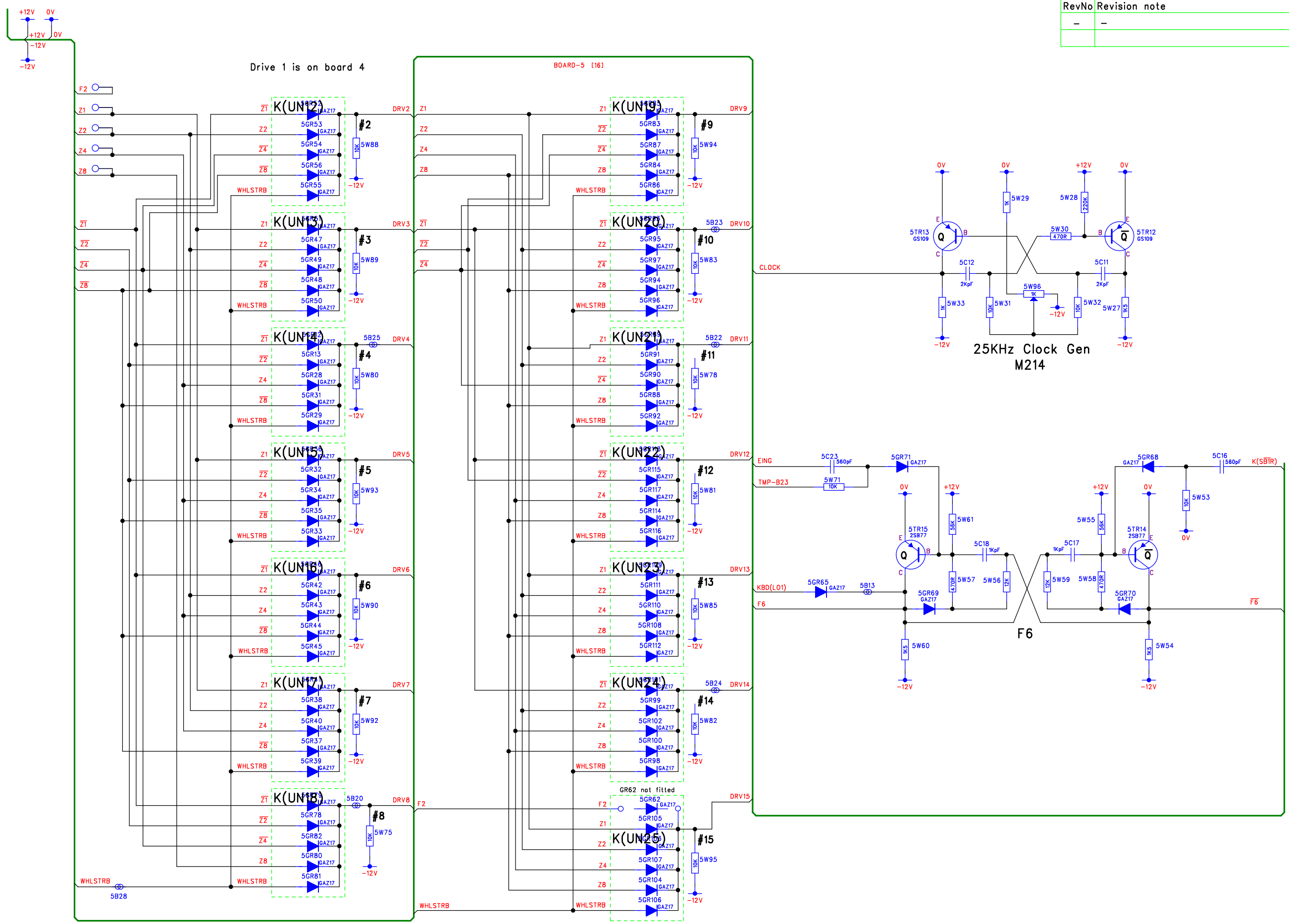
These diagrams are referenced to 0V - Logical 1 = -12V, logical 0 = 0V



DM Associates
 33, Northbrook Road
 Aldershot, Hampshire. GU11 3HE
 Email: mike@soemtron.org
 www.soemtron.org

Pcb Dwg # =		Scale	Nts	Title Soemtron ETR 222 Calculator Transcribed Misc Circuits Board 5/1 - Clock, DRV2-16
Name	Date	Sheet	16	
Drawn	MD Hatch	Next Sheet	17	Drawing Number Soemtron 222
Checked	-			

RevNo	Revision note	Date	By	Checked
-	-	-	-	-



These diagrams are referenced to 0V - Logical 1 = -12V, logical 0 = 0V



DM Associates
 33, Northbrook Road
 Aldershot, Hampshire. GU11 3HE
 Email: mike@soemtron.org
 www.soemtron.org

Pcb Dwg # =

Drawn	Name	Date	Scale	Nts
Checked	MD Hatch	15/8/2017	Sheet	17
			Next Sheet	18
			Drawing Number	Soemtron 222

Title
 Soemtron ETR 222 Calculator
 Transcribed Misc Circuits
 Board 5/2 - Clock, DRV2-16
 A2 Issue A