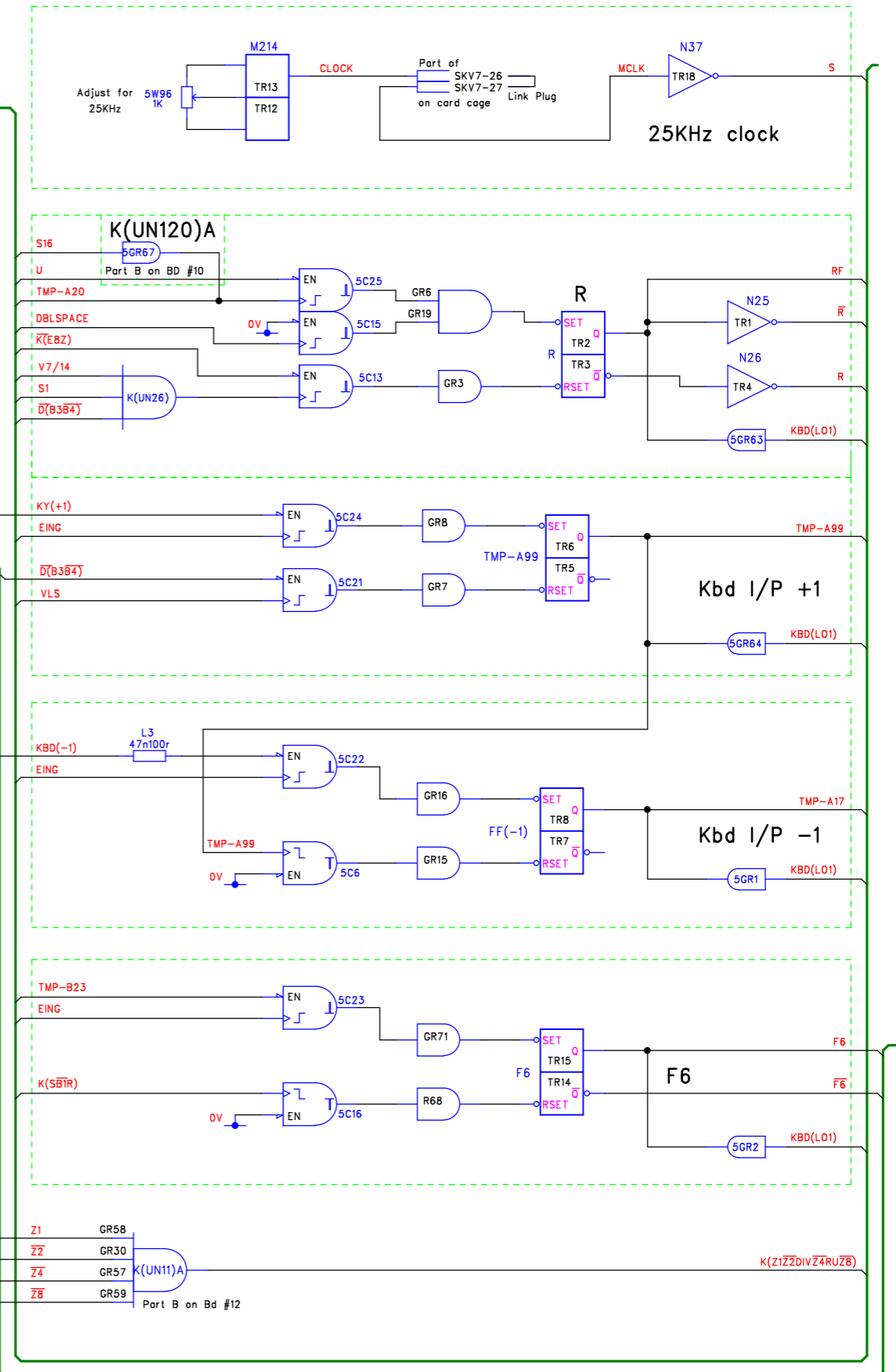
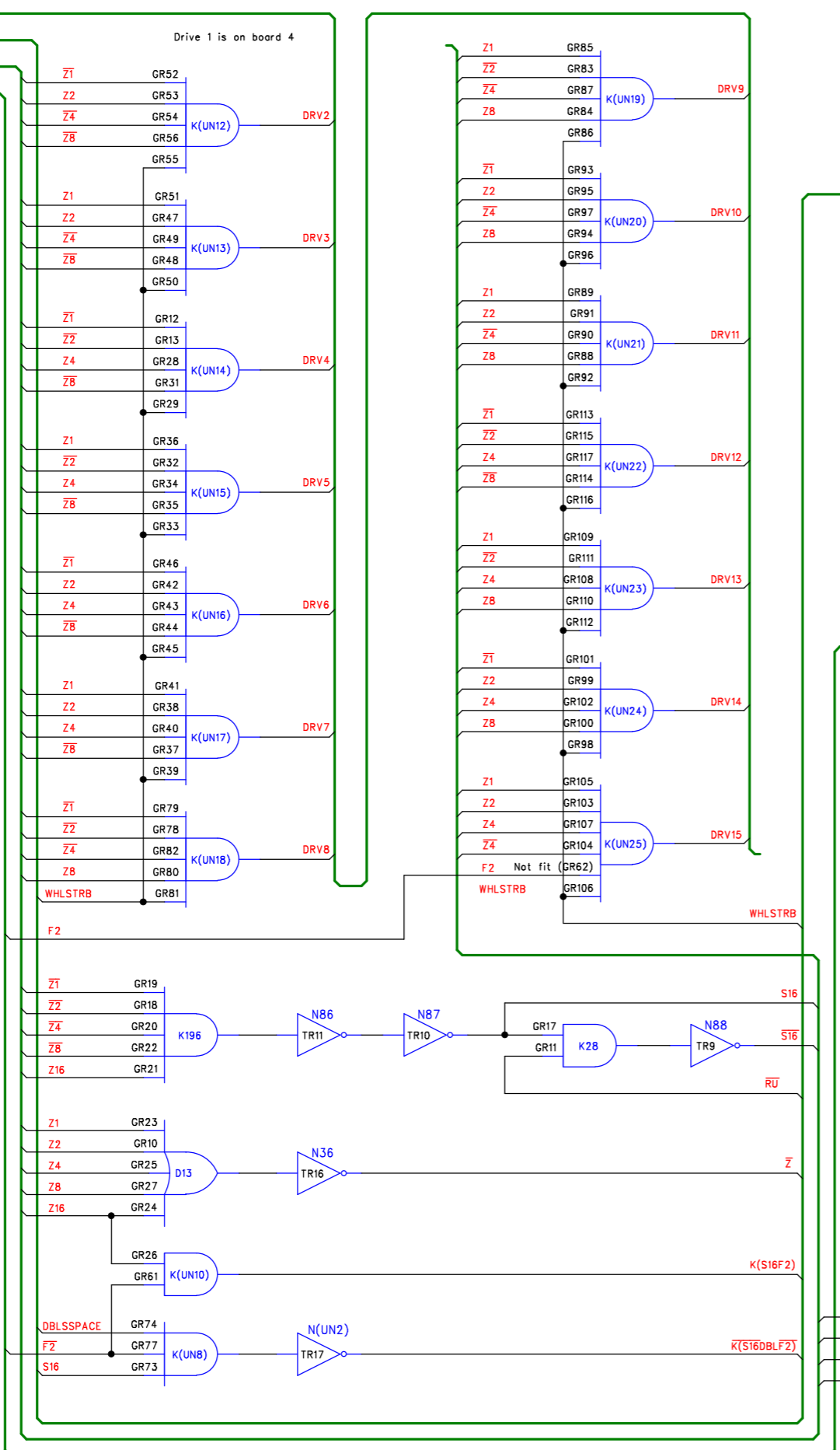


ENCODED-FUNCTION [3,6,10,11,12,13,15]
 NIXIEDRV [14]
 CONTROL [1,2,3,4,6,7,8,9,10,11,12,14,15,16]
 Z-COUNTER [2,3,4,6]
 FUNCTIONS [2,3,4,6,7,8,9,10,11,12,15]

RevNo	Revision note	Date	By	Checked
-	-	-	-	-



Negative logic referenced to 0V - Logical 1 = -12v, logical 0 = 0v



DM Associates
 33, Northbrook Road
 Aldershot, Hampshire. GU11 3HE
 Email: mike@soemtron.org
 www.soemtron.org

Pcb Dwg # =		Scale	Nts	Title	
Drawn	MD Hatch	Sheet	5	Soemtron ETR 220 Calculator	
Checked	-	Next Sheet	6	#5 - DRV2-16 - F6 - KBD+/-1	
Drawing Number			Soemtron 222 Logic		A2 Issue A