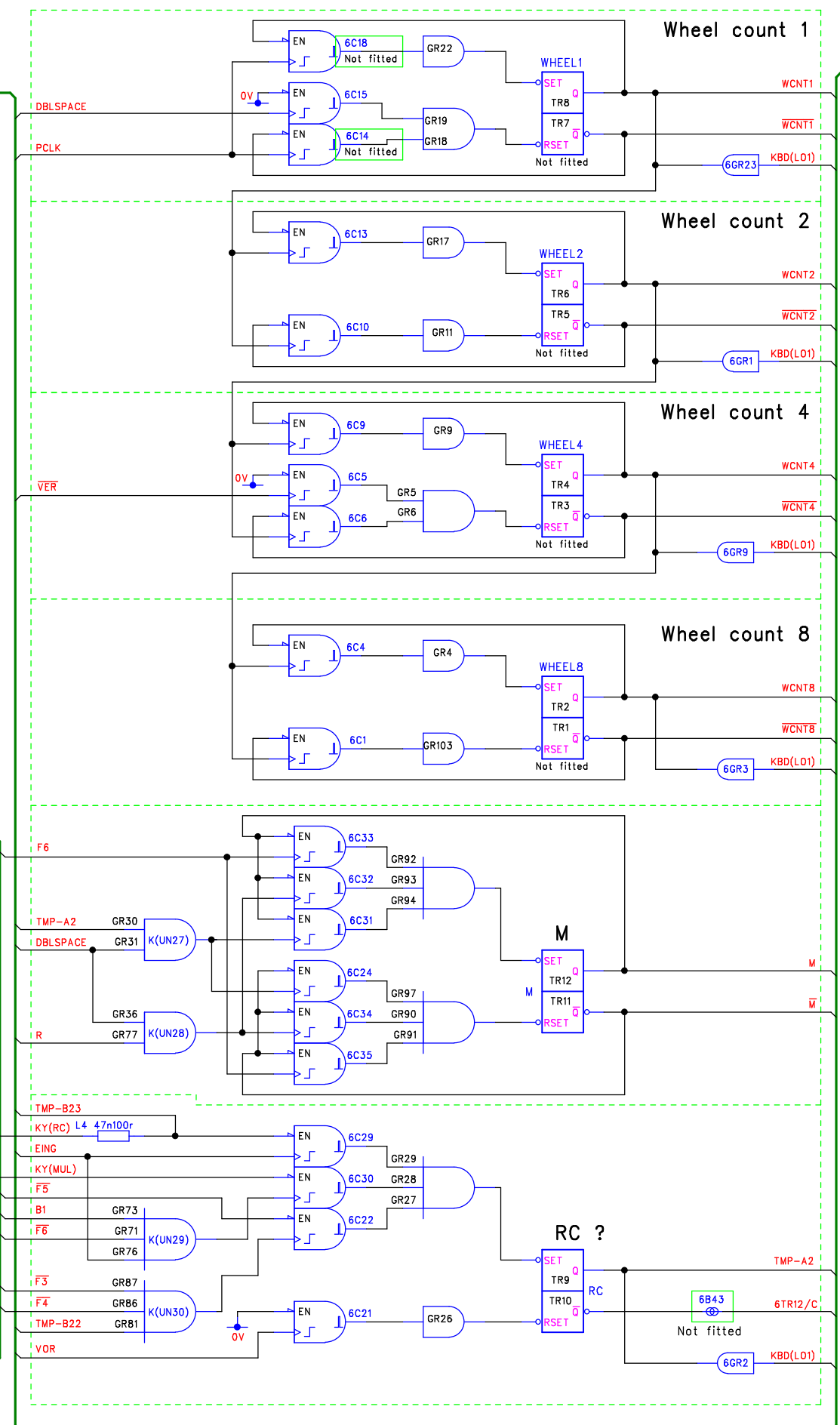
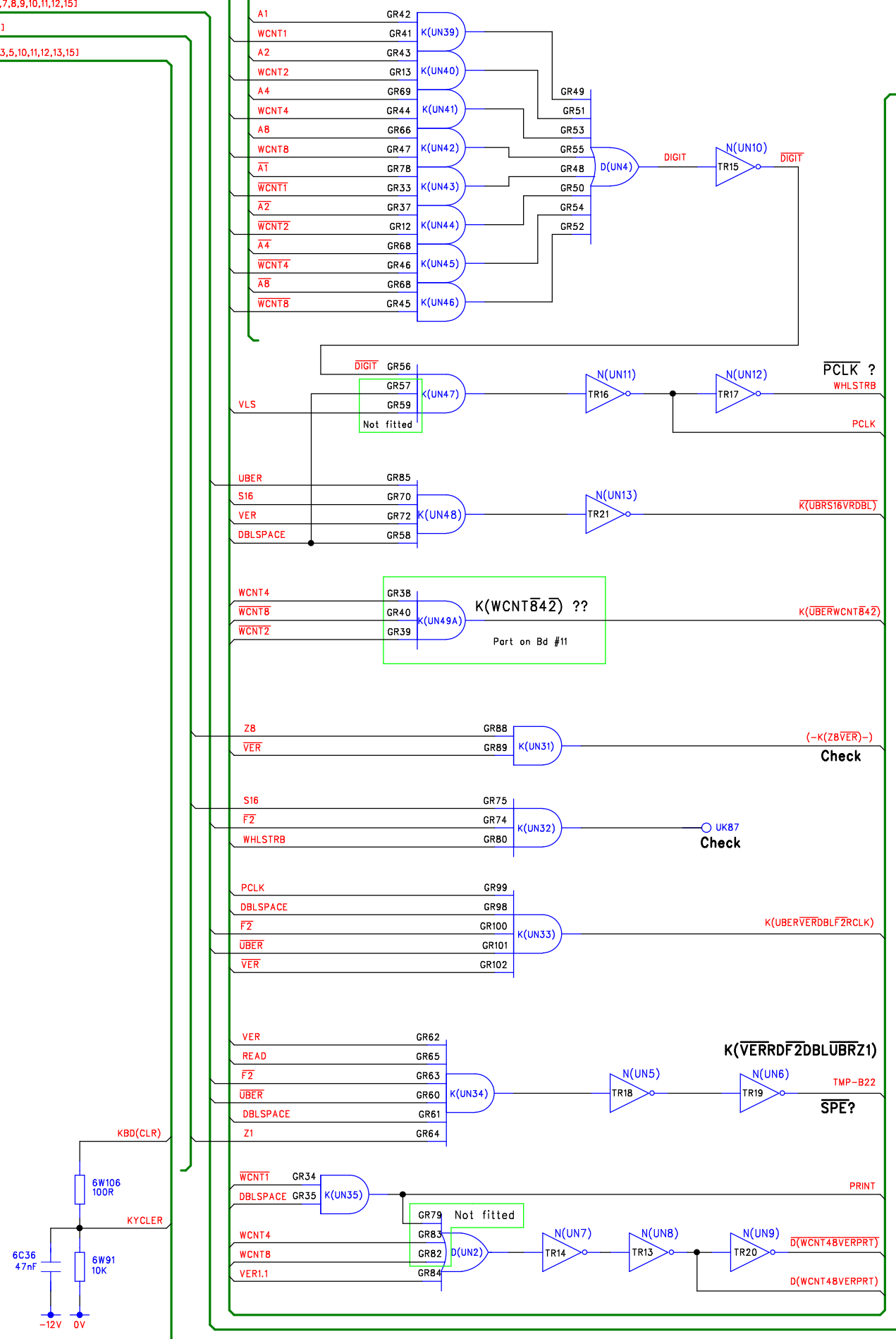


A-BUSS [1,3,7,8,10,11,12,14,15]
 CONTROL [1,2,3,4,5,7,8,9,10,11,12,14,15,16]
 FUNCTIONS [2,3,4,5,7,8,9,10,11,12,15]
 Z-COUNTER [2,3,4,5]
 ENCODED-FUNCTION [3,5,10,11,12,13,15]

RevNo	Revision note	Date	By	Checked
-	-	-	-	-



Negative logic referenced to 0V - Logical 1 = -12v, logical 0 = 0v



DM Associates
 33, Northbrook Road
 Aldershot, Hampshire. GU11 3HE
 Email: mike@soemtron.org
 www.soemtron.org

Pcb Dwg # =		Scale	Nts	Title	
Drawn	Name	Date	Sheet	Soemtron ETR 220 Calculator	
Checked	MD Hatch	02/03/2021	Next Sheet	#6 - Control Gating	
Drawing Number			6	Logic Diagram	
Soemtron 222 Logic			7	A2 Issue A	