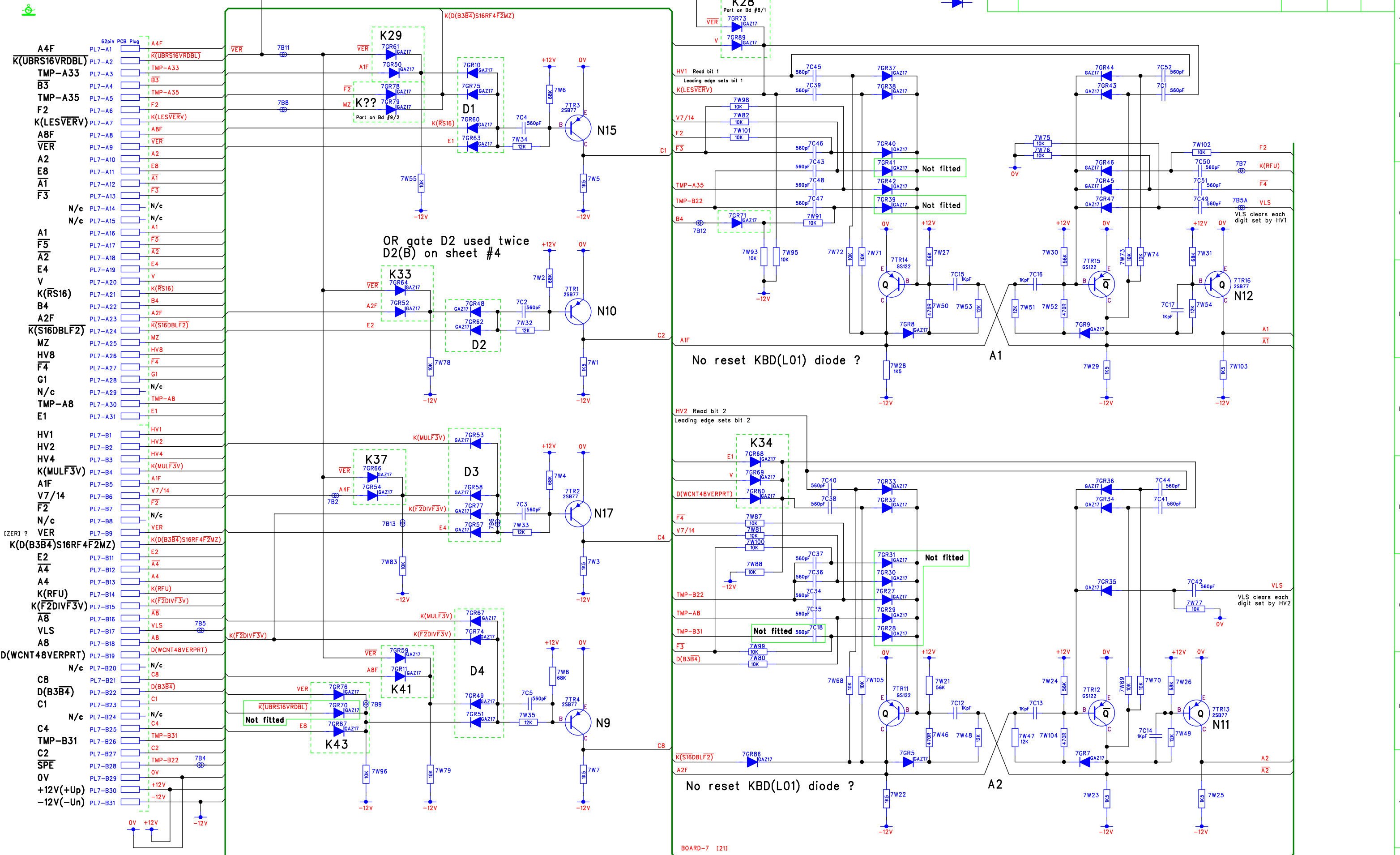


RevNo	Revision note	Date	By	Checked
-	-	-	-	-



These diagrams are referenced to 0V - Logical 1 = -12V, logical 0 = 0V

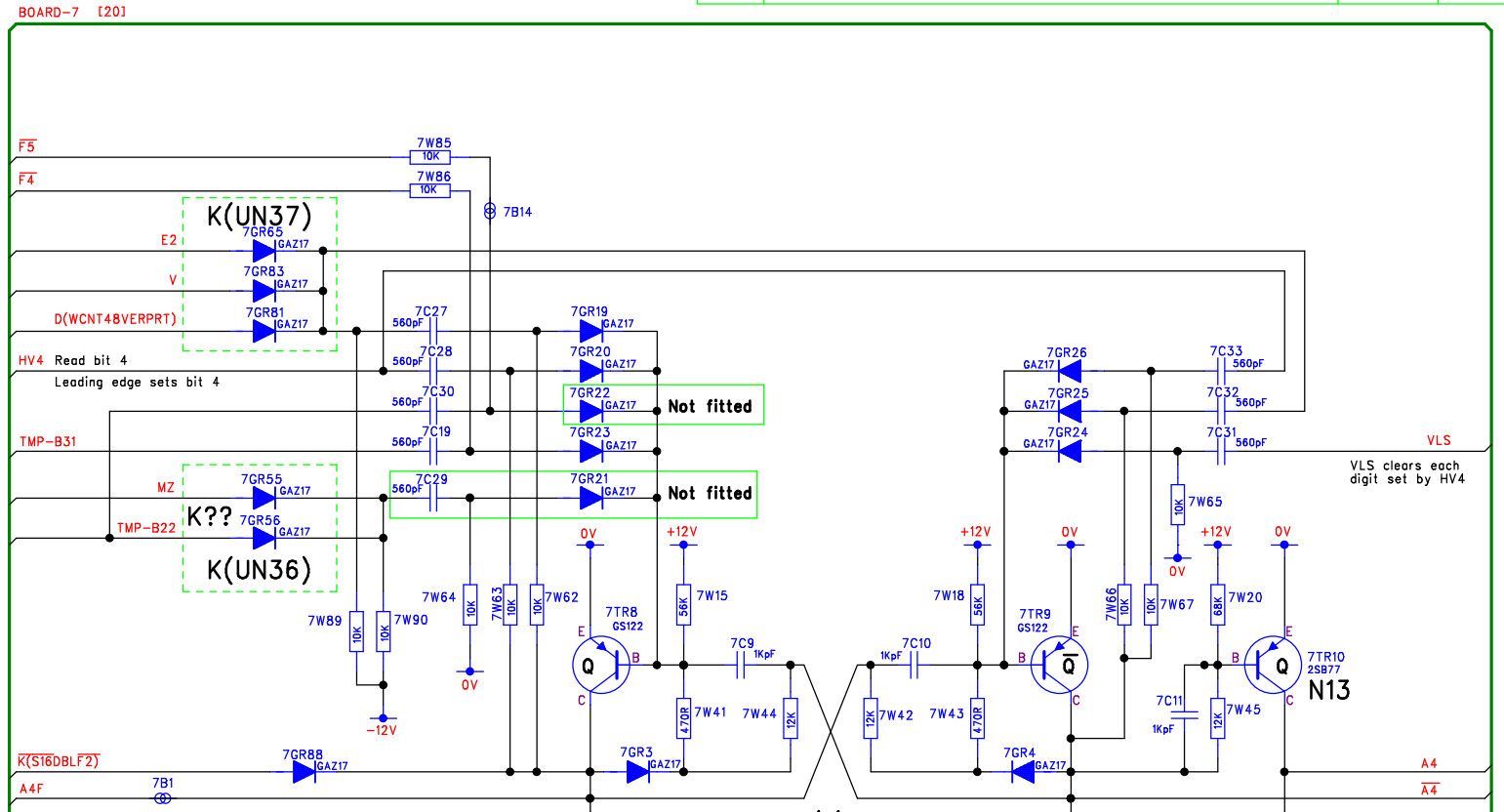
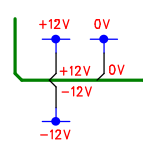
DM Associates
 33, Northbrook Road
 Aldershot, Hampshire. GU11 3HE
 Email: mike@soemtron.org
 www.soemtron.org

Soemtron

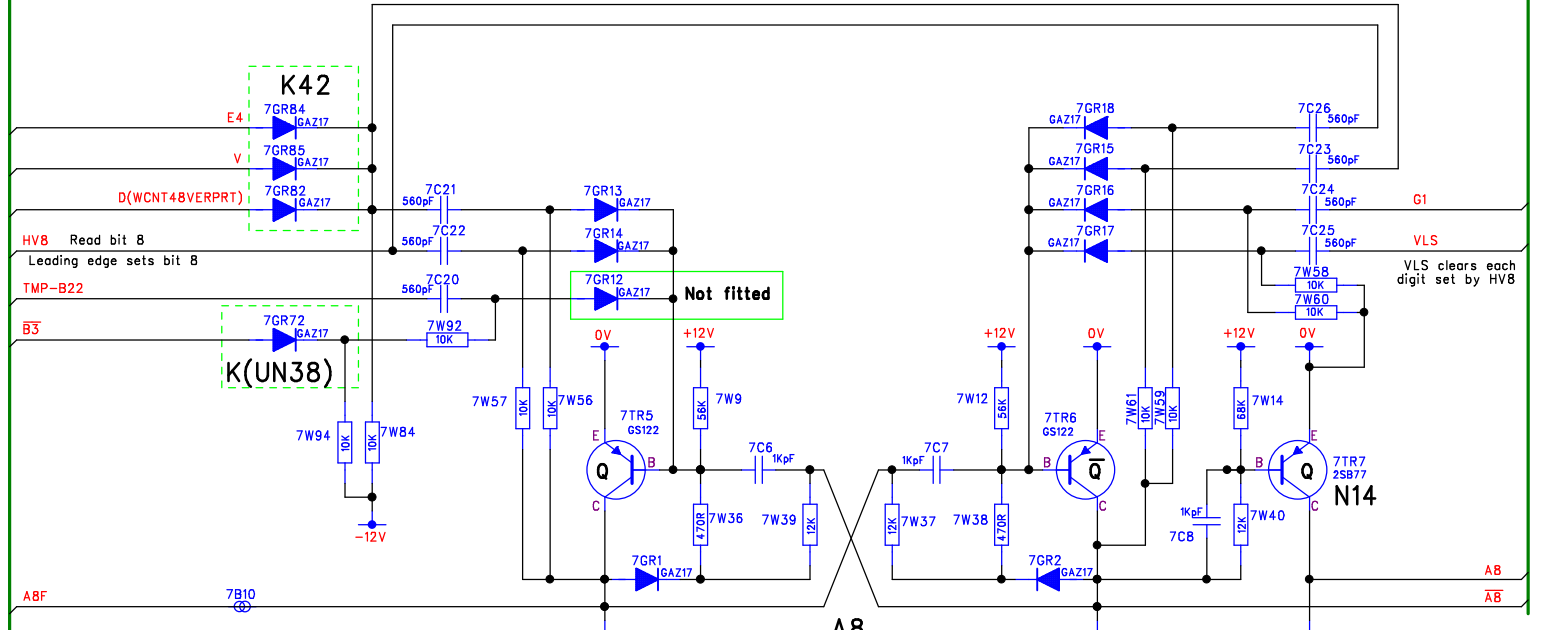
© 2017 Mike Hatch. (www.soemtron.org)

Pcb Dwg # =		Scale	Nts	Title	
Drawn	Name	Date	Sheet	Soemtron ETR 222 Calculator	
Checked	MD Hatch	15/8/2017	Next Sheet	Transcribed Misc Circuits	
		Drawing Number	21	Board 7/1 - A1, A2, C Gates	
				Soemtron 222	A2 Issue A

RevNo	Revision note	Date	By	Checked
-	-	-	-	-



No reset KBD(L01) diode ?



No reset KBD(L01) diode ?

These diagrams are referenced to 0V - Logical 1 = -12V, logical 0 = 0V



DM Associates
33, Northbrook Road
Aldershot, Hampshire, GU11 3HE
Email: mike@soemtron.org
www.soemtron.org

Pcb Dwg # =		Scale	Nts	Title	
Drawn	Name	Sheet	21	Soemtron ETR 222 Calculator	
Checked	Date	Next Sheet	22	Transcribed Misc Circuits	
	15/8/2017	Drawing Number		Board 7/2 - A Register (A4, A8)	
				Soemtron 222	A2 Issue A

© 2017 Mike Hatch. (www.soemtron.org)