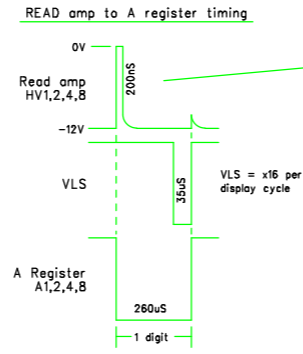
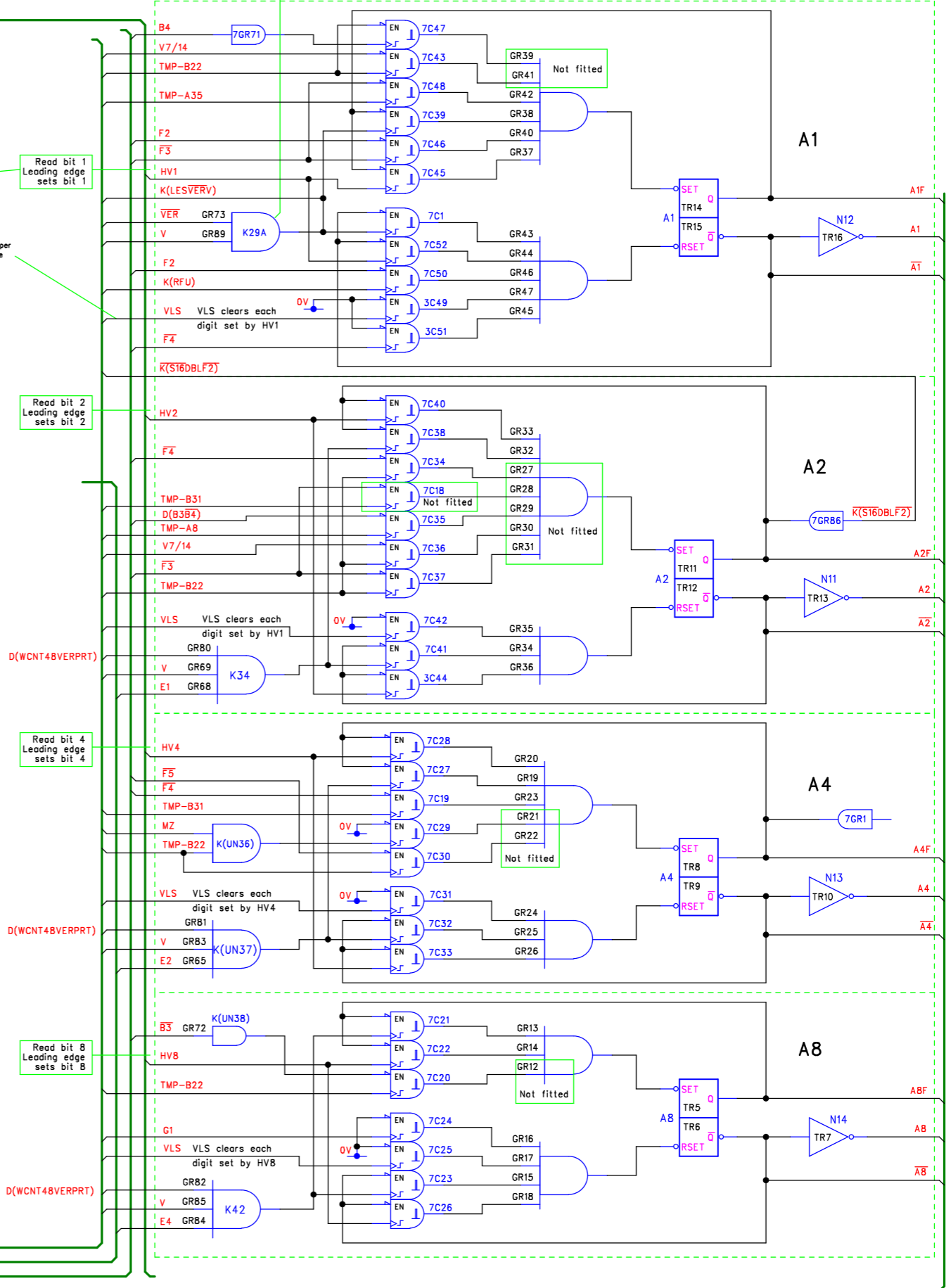
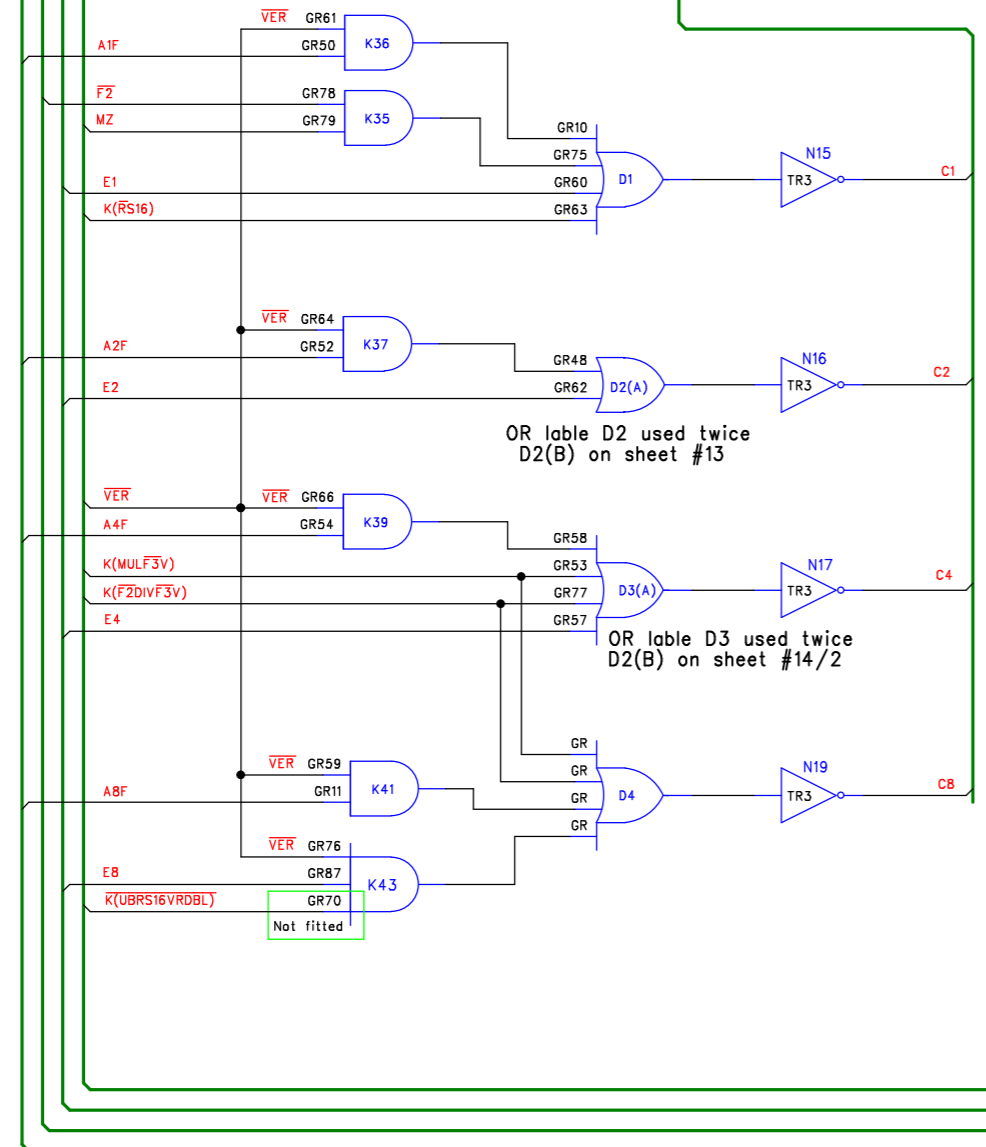


READ-BUSS [1]
 C-BUSS [1,2,8,14]
 CONTROL [1,2,3,4,5,6,8,9,10,11,12,14,15,16]
 E-BUSS [4,8]
 FUNCTIONS [2,3,4,5,6,8,9,10,11,12,15]
 A-BUSS [1,3,6,8,10,11,12,14,15]



K28/A is split over boards 3/4

RevNo	Revision note	Date	By	Checked
-	-	-	-	-



No reset KBD(L01) ?

No reset KBD(L01) ?

Negative logic referenced to 0V - Logical 1 = -12v, logical 0 = 0v



DM Associates
 33, Northbrook Road
 Aldershot, Hampshire. GU11 3HE
 Email: mike@soemtron.org
 www.soemtron.org

Pcb Dwg # =

Name	Date	Scale	Nts
Drawn MD Hatch	03/03/2021	Sheet 7	8
Checked -	-	Next Sheet	Drawing Number

Title Soemtron ETR 220 Calculator
 #7 - FUNCTION-LATCH-B1/2/3/4,VOR,R
 Logic Diagram
 Soemtron 222 Logic A2 Issue A