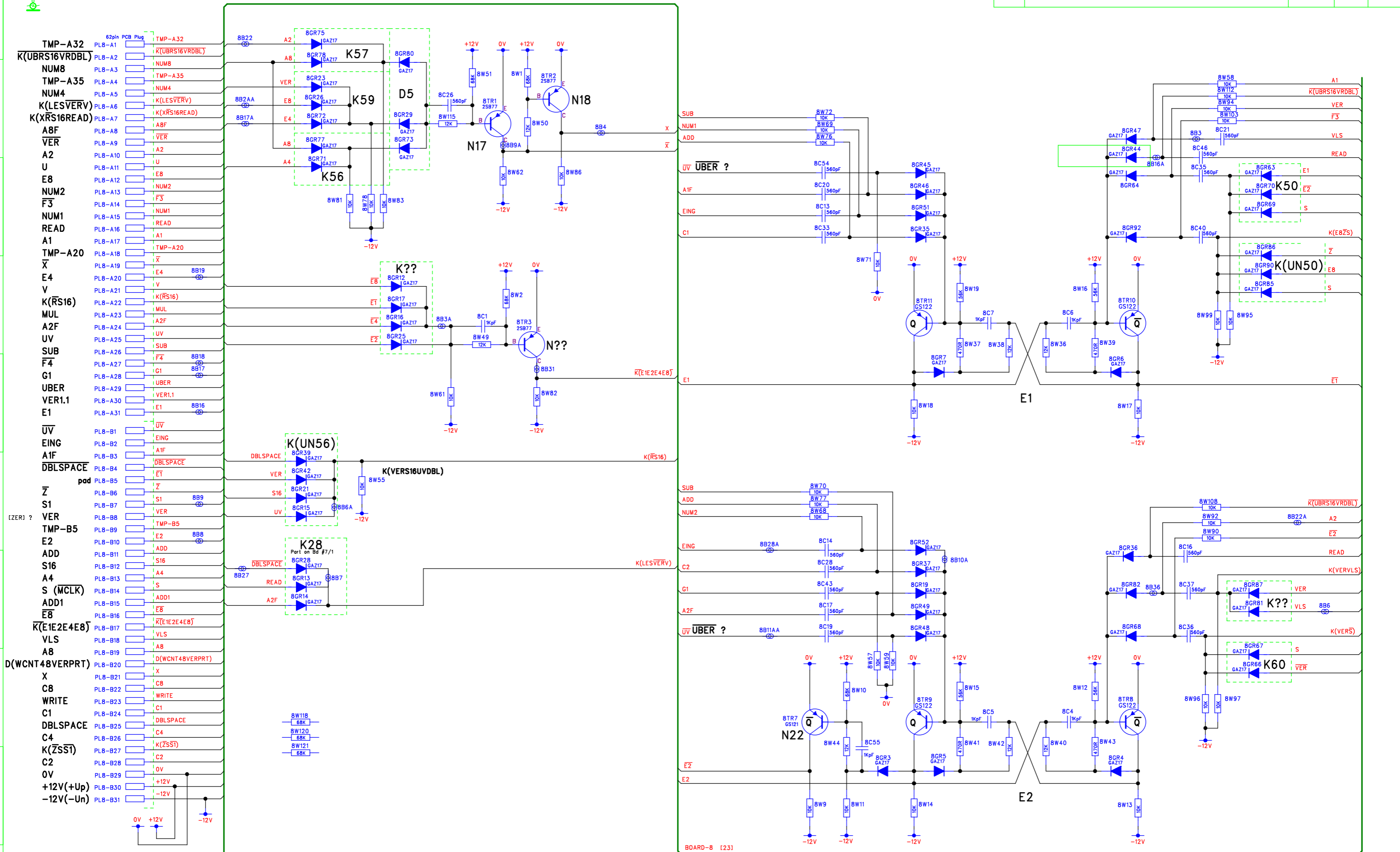
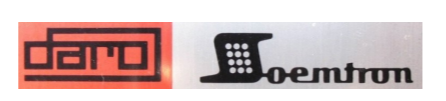


Comp side -
 Solder side - 3952- 224-307-008-a
 Date coded - 40/69

RevNo	Revision note	Date	By	Checked
-	-	-	-	-



These diagrams are referenced to 0V - Logical 1 = -12V, logical 0 = 0V



DM Associates
 33, Northbrook Road
 Aldershot, Hampshire. GU11 3HE
 Email: mike@soemtron.org
 www.soemtron.org

Pcb Dwg # =

Drawn	MD Hatch
Checked	-

Name	Date	Scale	Nts
MD Hatch	15/8/2017	Sheet	22
-	-	Next Sheet	23
-	-	Drawing Number	Soemtron 222

Title	Issue
Soemtron ETR 222 Calculator Transcribed Misc Circuits Board 8/1 - E Register (E1, E2)	A

