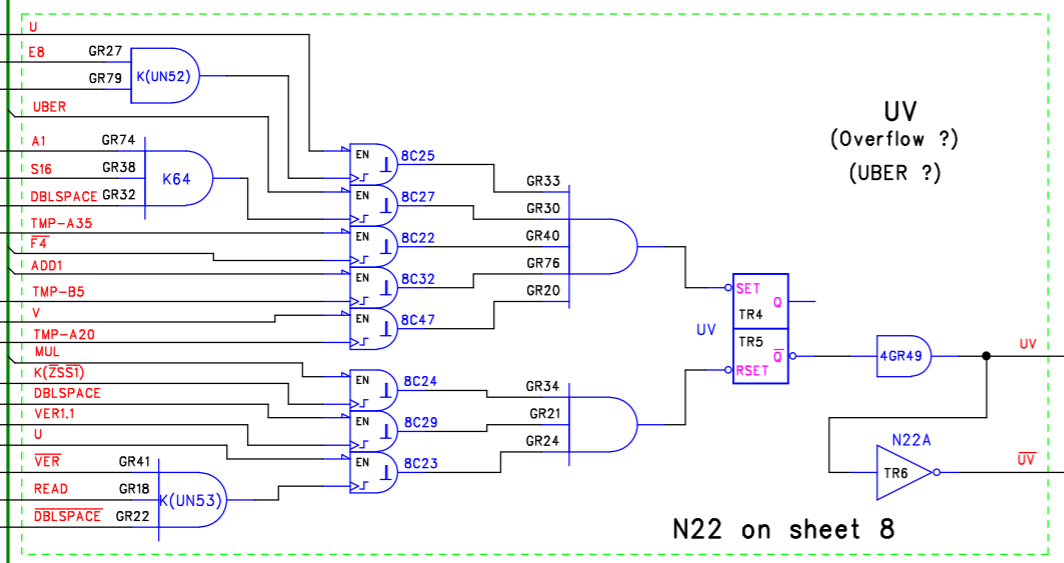
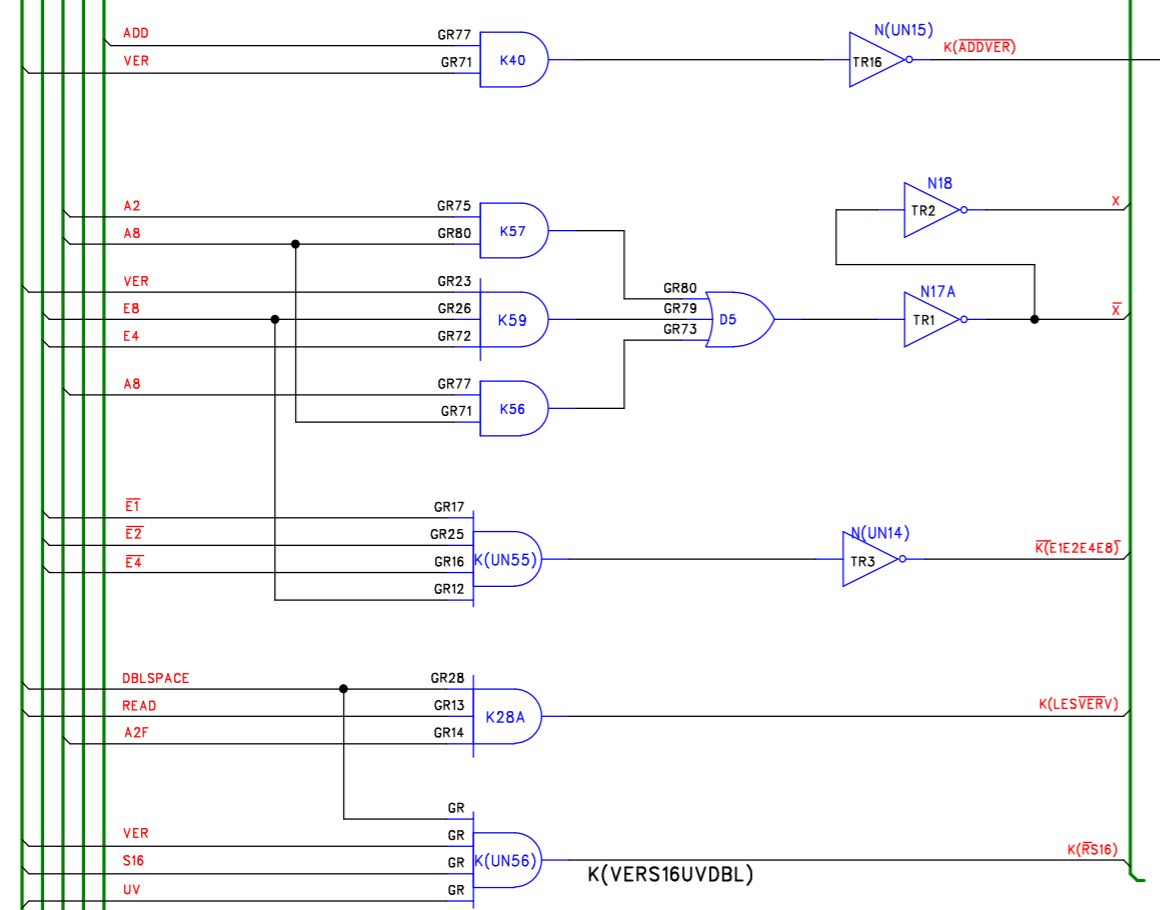


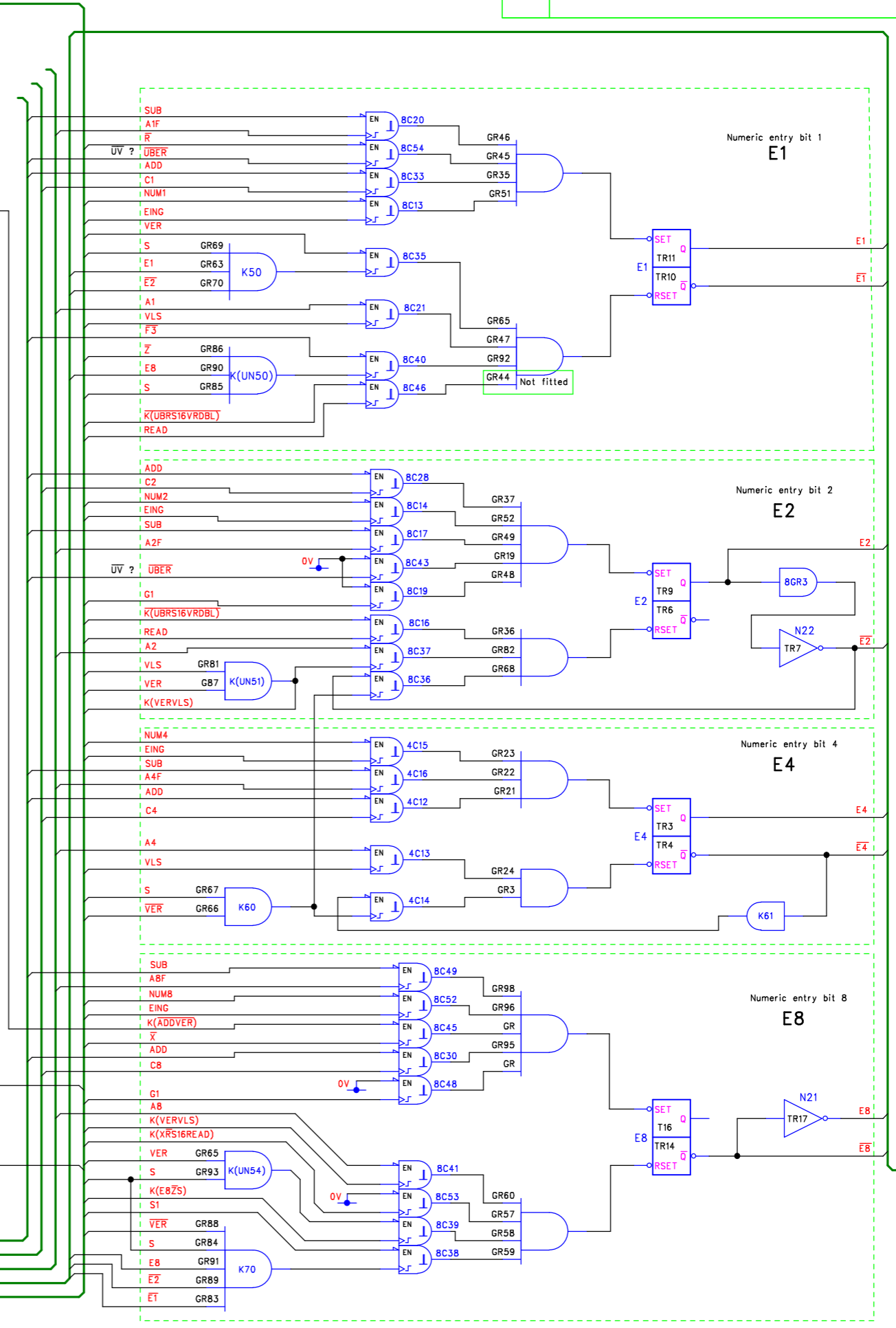
RevNo	Revision note	Date	By	Checked
-	-	-	-	-

- FUNCTIONS [2,3,4,5,6,7,9,10,11,12,15]
- C-BUSS [1,2,7,14]
- A-BUSS [1,3,6,7,10,11,12,14,15]
- E-BUSS [4,7]
- CONTROL [1,2,3,4,5,6,7,9,10,11,12,14,15,16]

N22 twice on this sheet



N22 on sheet 8



Negative logic referenced to 0V - Logical 1 = -12v, logical 0 = 0v



DM Associates
33, Northbrook Road
Aldershot, Hampshire. GU11 3HE
Email: mike@soemtron.org
www.soemtron.org

Pcb Dwg # =

Name	Date
Drawn MD Hatch	04/03/2021
Checked -	-

Scale	Nts
Sheet 8	8
Next Sheet 9	9
Drawing Number	

Title	Issue
Soemtron ETR 222 Calculator #8 - E Reg, Carry, Digit Drives 0/1 Logic Diagram	A
Soemtron 222 Logic	A2