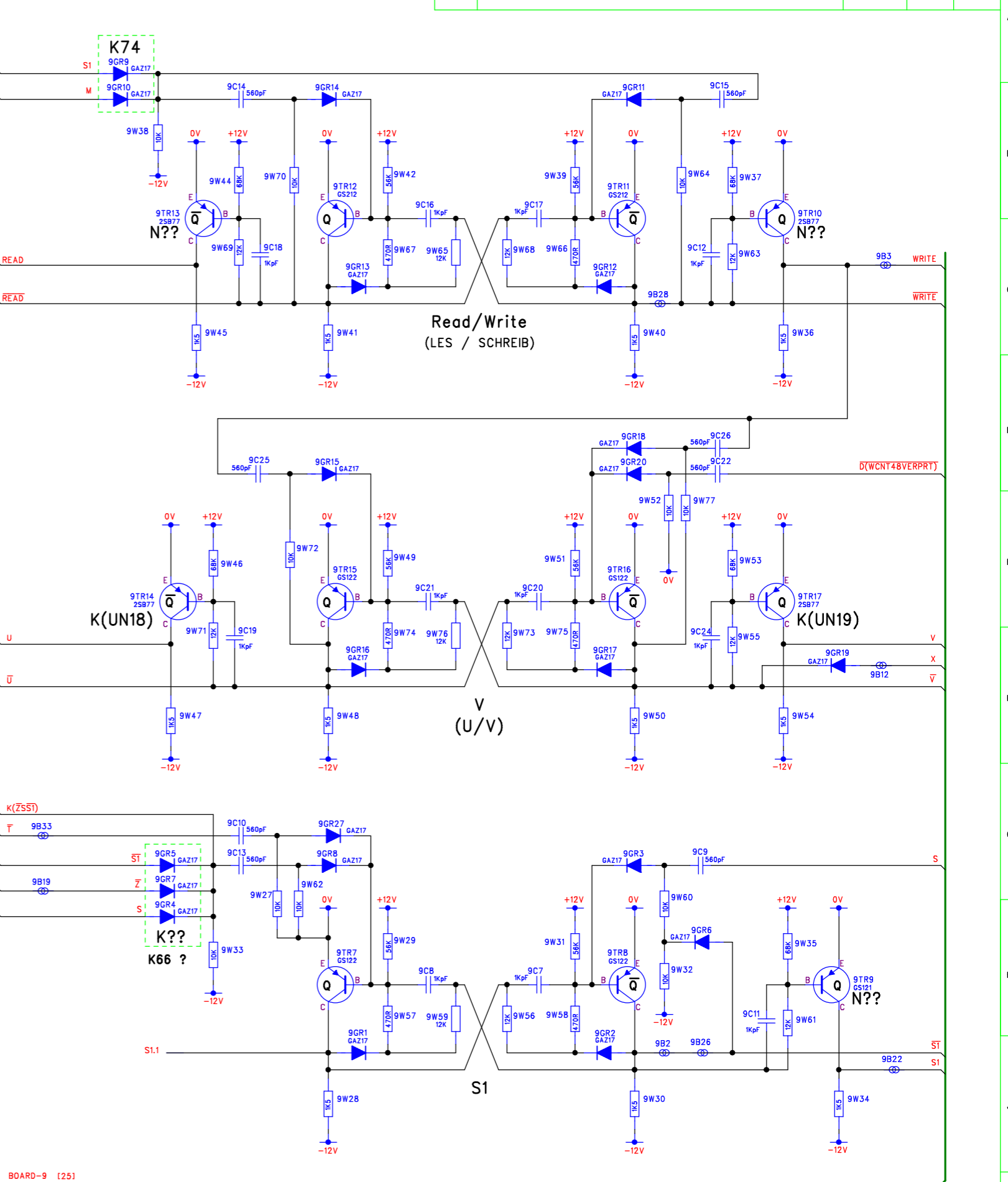
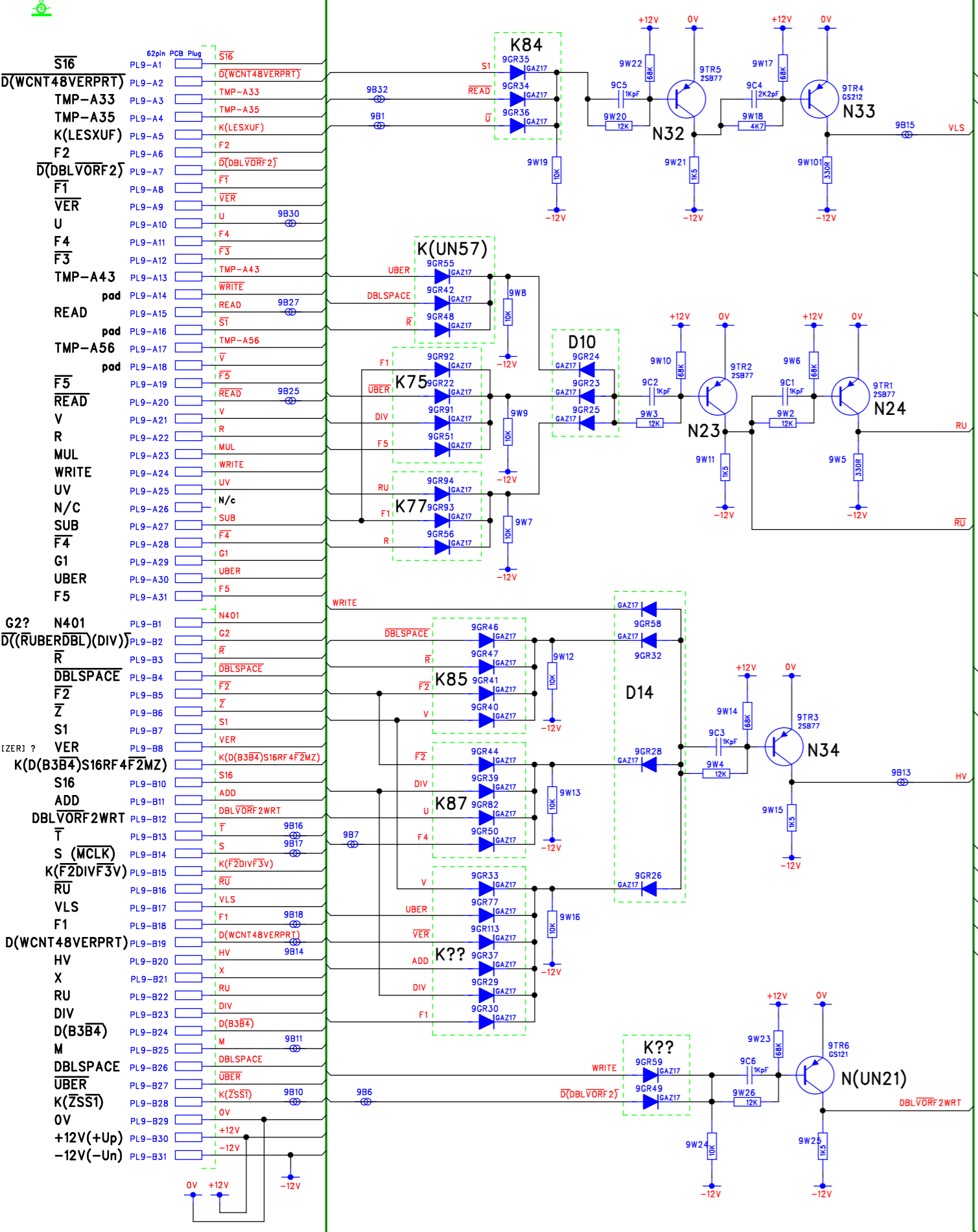


Comp side -
 Solder side - 224-509-009c 3958
 Date coded - 04/68

RevNo	Revision note	Date	By	Checked
-	-	-	-	-



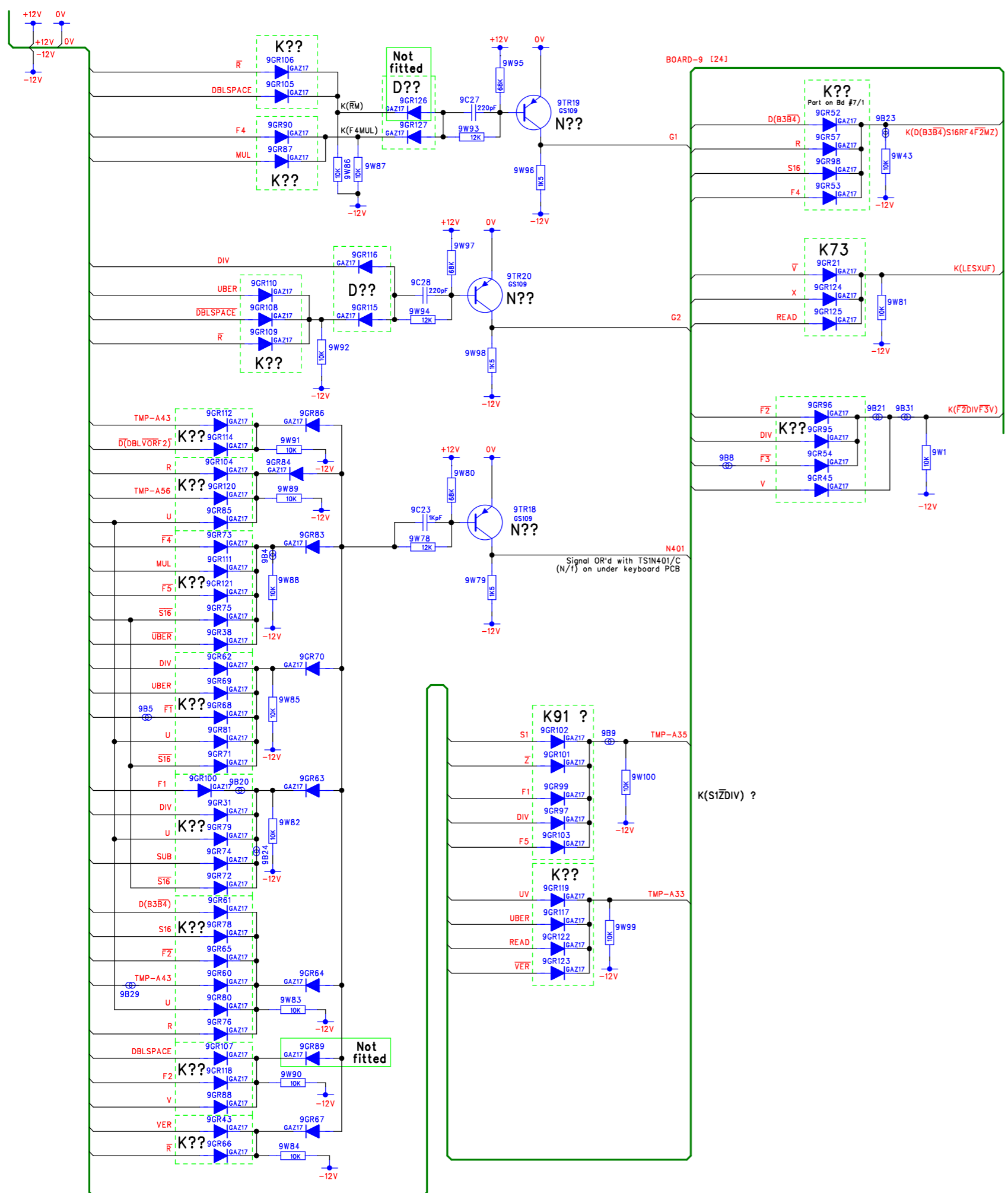
These diagrams are referenced to 0V - Logical 1 = -12V, logical 0 = 0V



DM Associates
 33, Northbrook Road
 Aldershot, Hampshire. GU11 3HE
 Email: mike@soemtron.org
 www.soemtron.org

Pcb Dwg # =		Scale	Nts	Title	
Drawn	Name	Sheet	24	Soemtron ETR 222 Calculator	
Checked	Date	Next Sheet	25	Transcribed Misc Circuits	
	1/2/2018	Drawing Number		Board 9 / 1 - Read/Write, S1, V	
				Soemtron 222	A2 Issue A

RevNo	Revision note	Date	By	Checked
-	-	-	-	-



DM Associates
 33, Northbrook Road
 Aldershot, Hampshire. GU11 3HE
 Email: mike@soemtron.org
www.soemtron.org

© 2018 Mike Hatch. (www.soemtron.org)

Pcb Dwg # =		Scale	Nts	Title Soemtron ETR 222 Calculator Transcribed Misc Circuits Board 9/2 - ??
Drawn	Name	Sheet	25	
Checked	Date	Next Sheet	26	Drawing Number Soemtron 222

These diagrams are referenced to 0V - Logical 1 = -12V, logical 0 = 0V