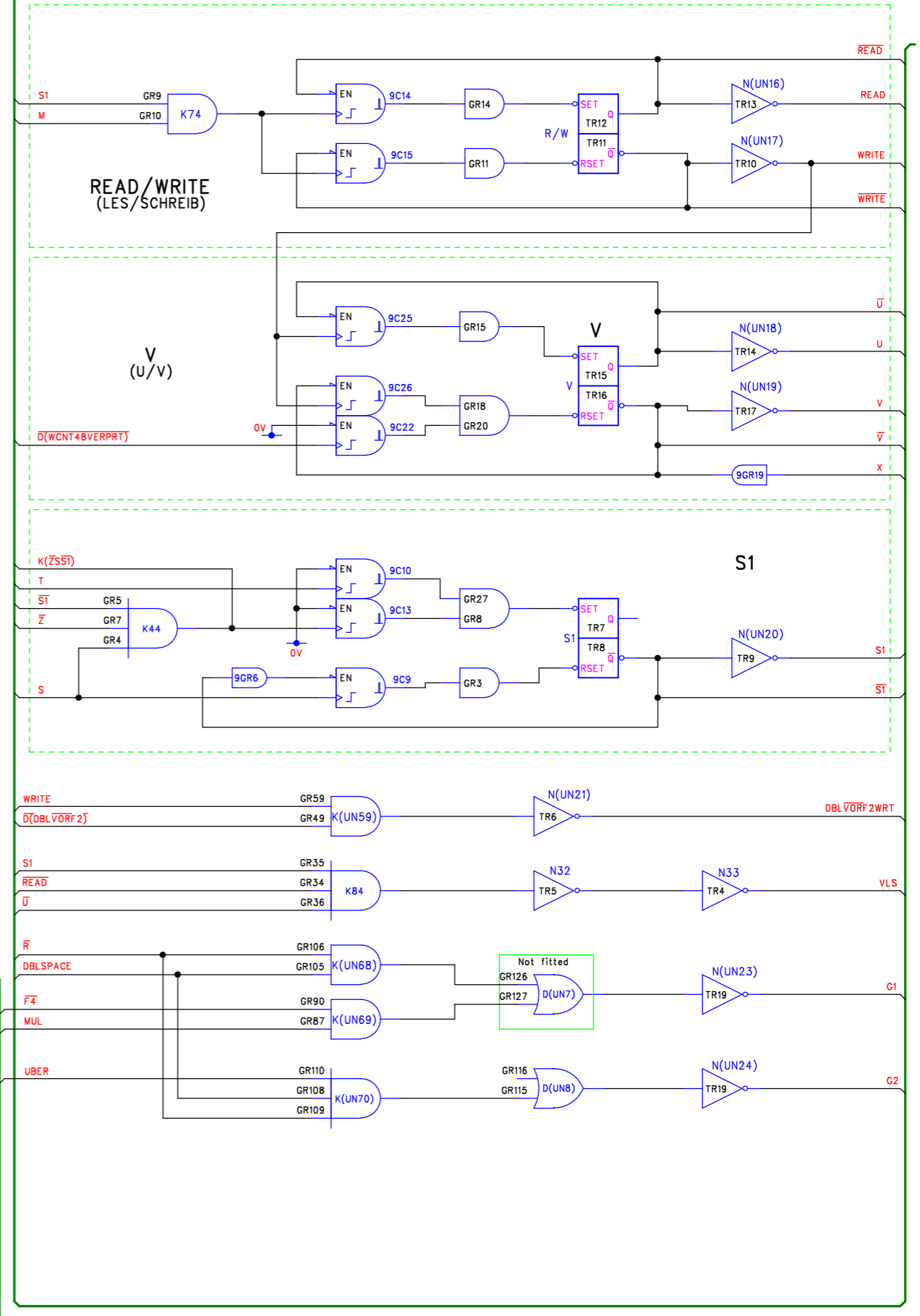
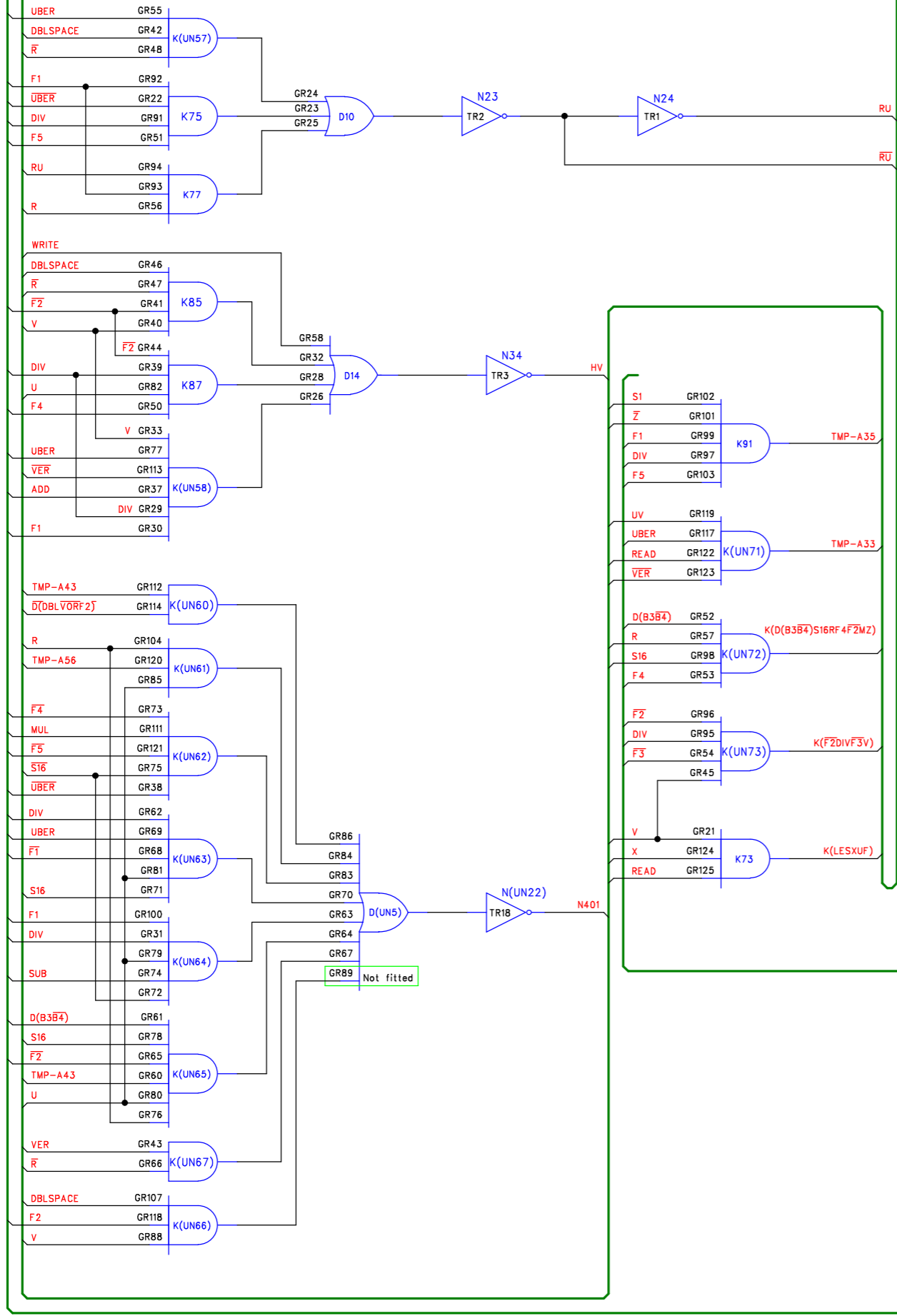


RevNo	Revision note	Date	By	Checked
-	-	-	-	-

CONTROL [1,2,3,4,5,6,7,8,10,11,12,14,15,16]
 FUNCTIONS [2,3,4,5,6,7,8,10,11,12,15]



Next is K(UN74)
 Next is N(UN25)
 Next is D(UN9)

Negative logic referenced to 0V - Logical 1 = -12v, logical 0 = 0v



DM Associates
 33, Northbrook Road
 Aldershot, Hampshire, GU11 3HE
 Email: mike@soemtron.org
 www.soemtron.org

Pcb Dwg # =

Name	Date	Scale	Nts
Drawn MD Hatch	05/03/2021	Sheet	9
Checked -	-	Next Sheet	10
Drawing Number		Soemtron 222 Logic	

Title **Soemtron ETR 222 Calculator**
#9 - READ/WRITE, S1, V, Misc Gating
Logic Diagram
 A2 Issue A