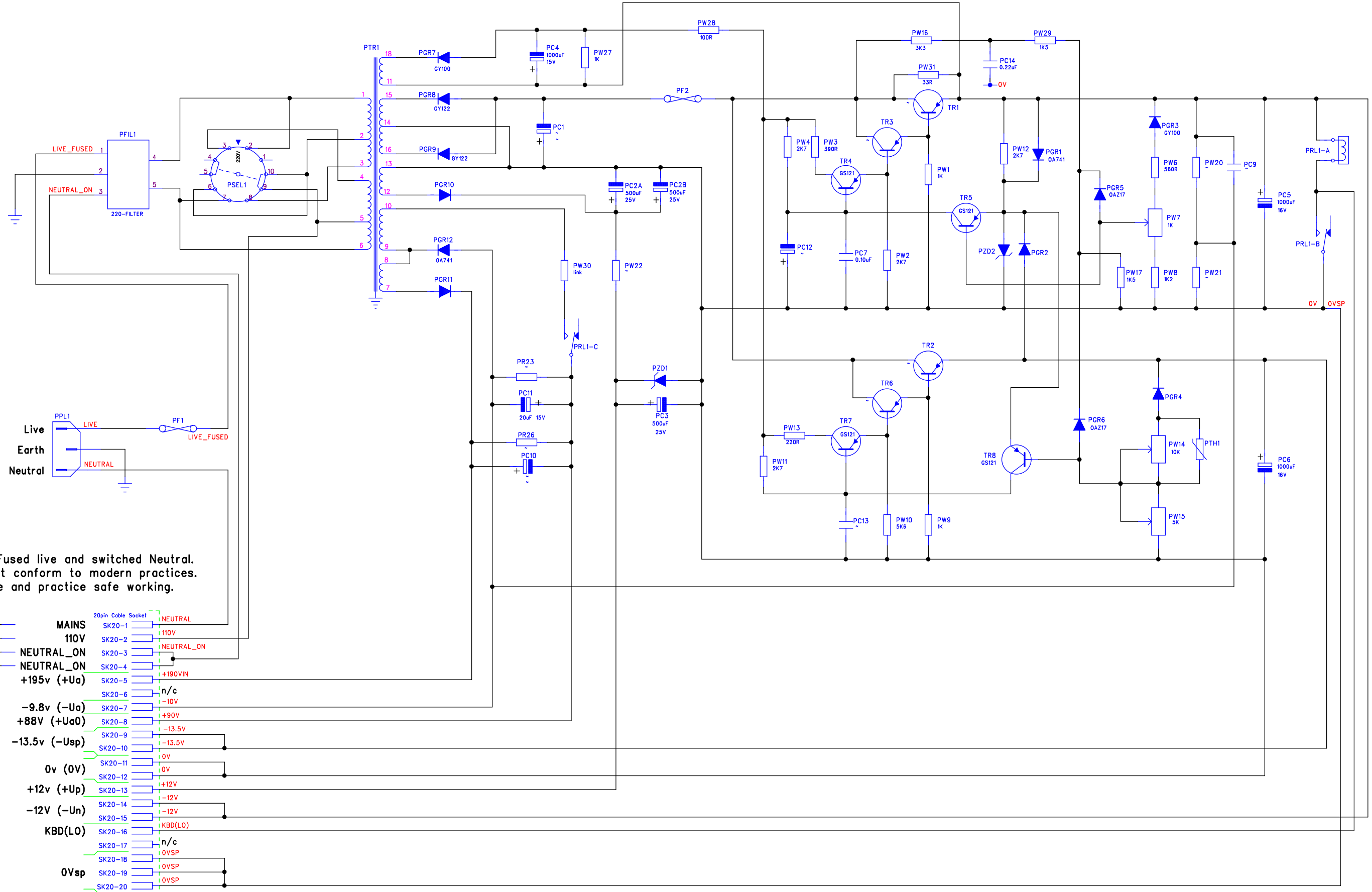
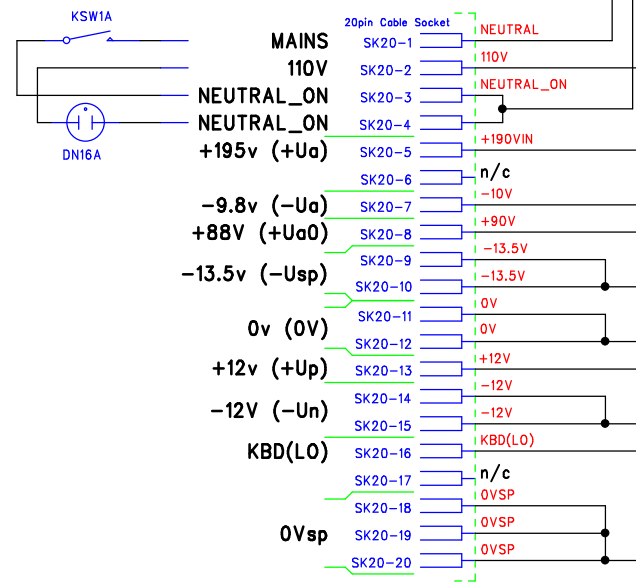


RevNo	Revision note	Date	By	Checked
-	-	-	-	-



The 222 is Fused live and switched Neutral.
This does not conform to modern practices.
Exercise care and practice safe working.



These diagrams are referenced to 0V - Logical 1 = -12V, logical 0 = 0V



DM Associates
33, Northbrook Road
Aldershot, Hampshire. GU11 3HE
Email: mike@soemtron.org
www.soemtron.org

Pcb Dwg # =		Scale	Nts	Title	
Drawn	Name	Sheet	32	Soemtron ETR 222 Calculator	
Checked	Date	Next Sheet	33	Power Supply Wiring	
		Drawing Number		Circuit Diagram	
				Soemtron 222	A2 Issue A