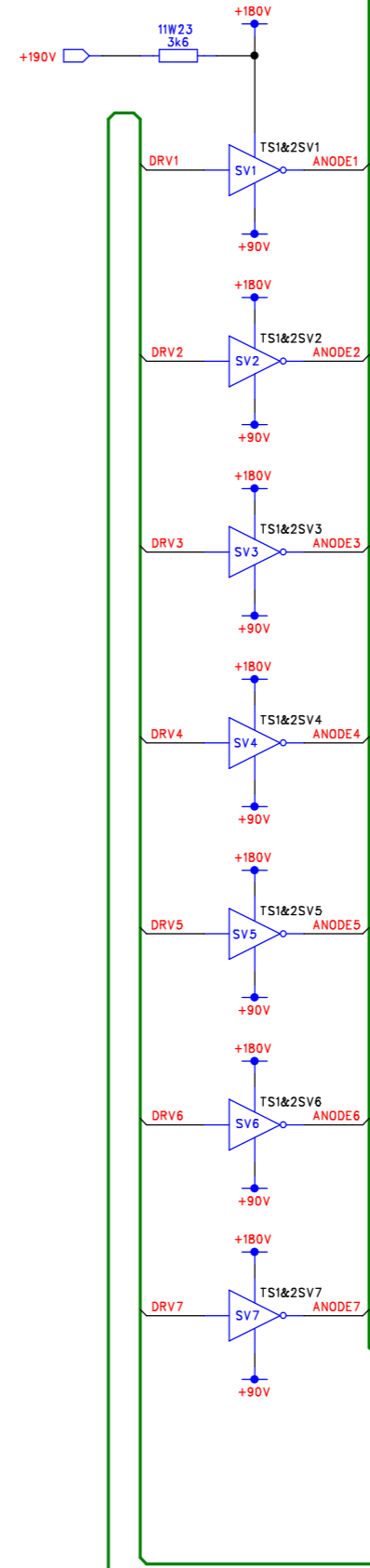
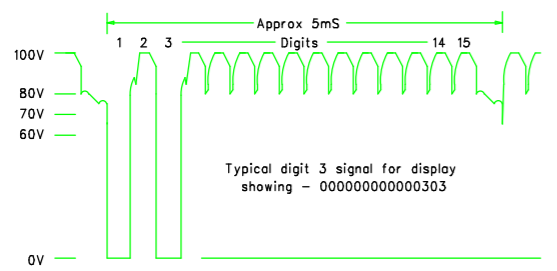
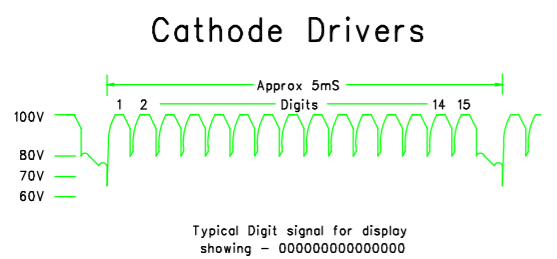
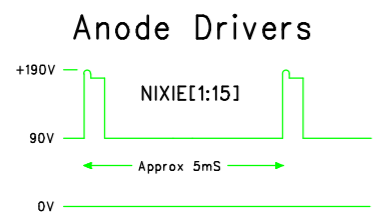
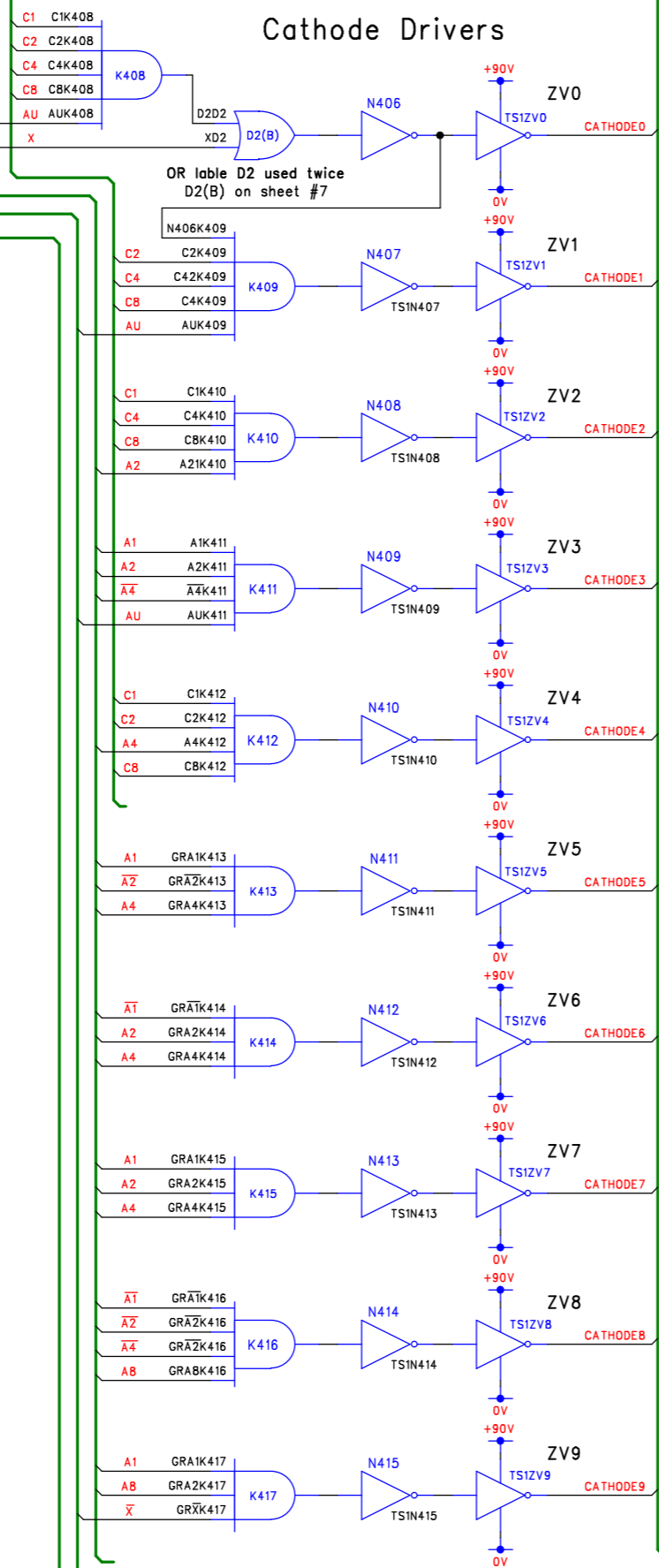
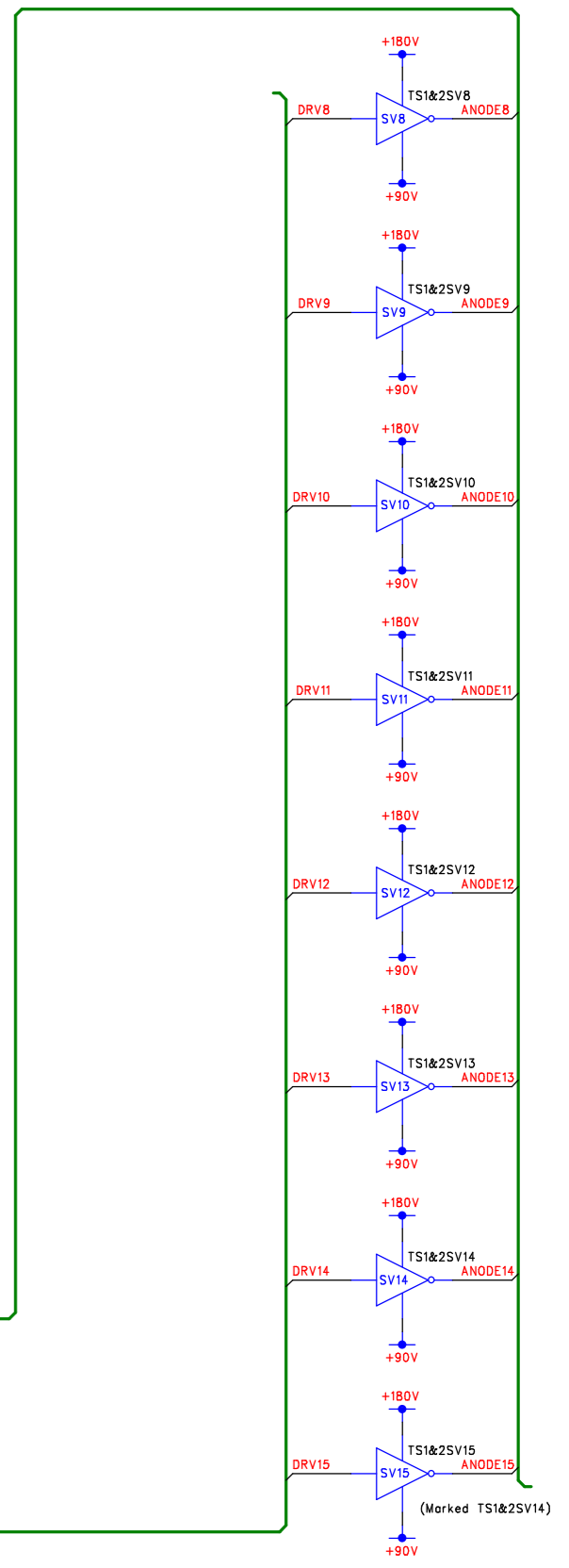


DISPLAY-BUSS [16]
 C-BUSS [1,2,7,8]
 A-BUSS [1,3,6,7,8,10,11,12,15]
 CONTROL [1,2,3,4,5,6,7,8,9,10,11,12,15,16]
 NIXIEDRV [5]



Anode Drivers



RevNo	Revision note	Date	By	Checked
-	-	-	-	-

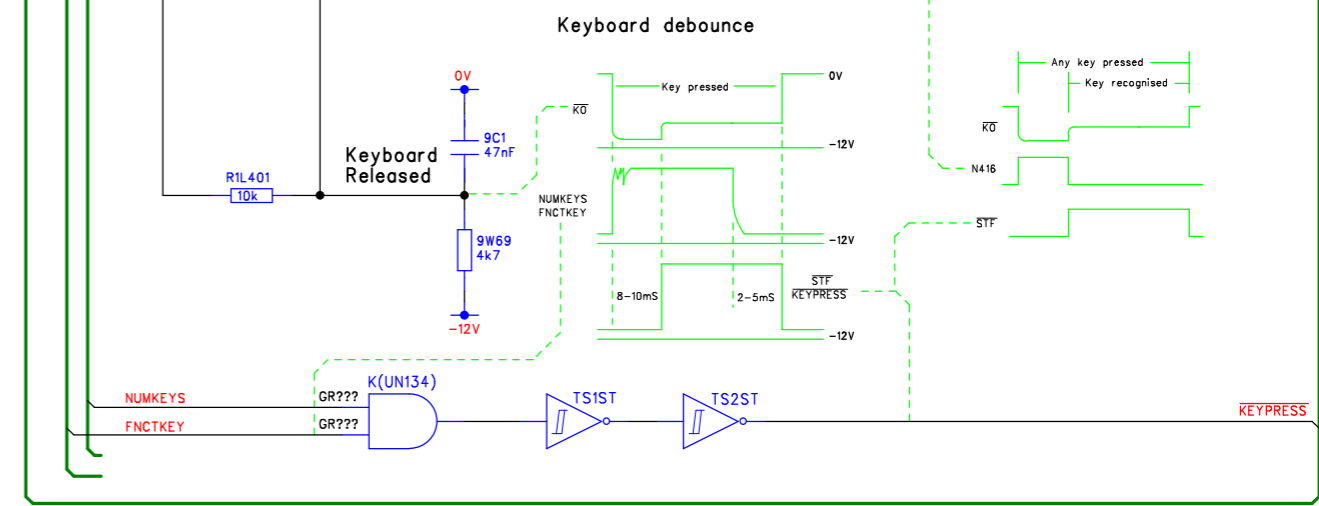
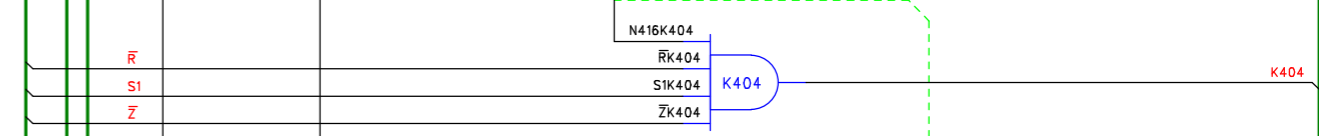
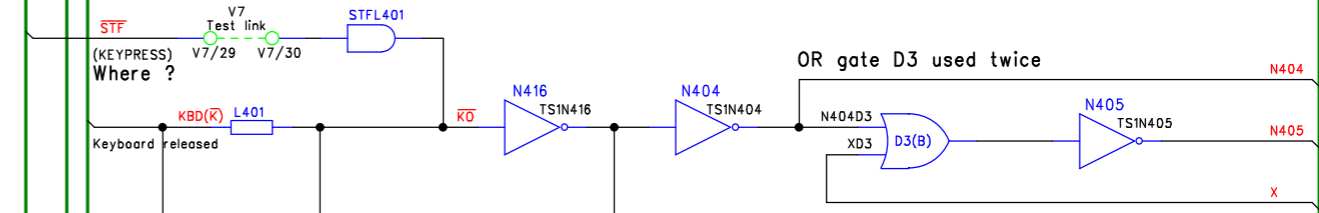
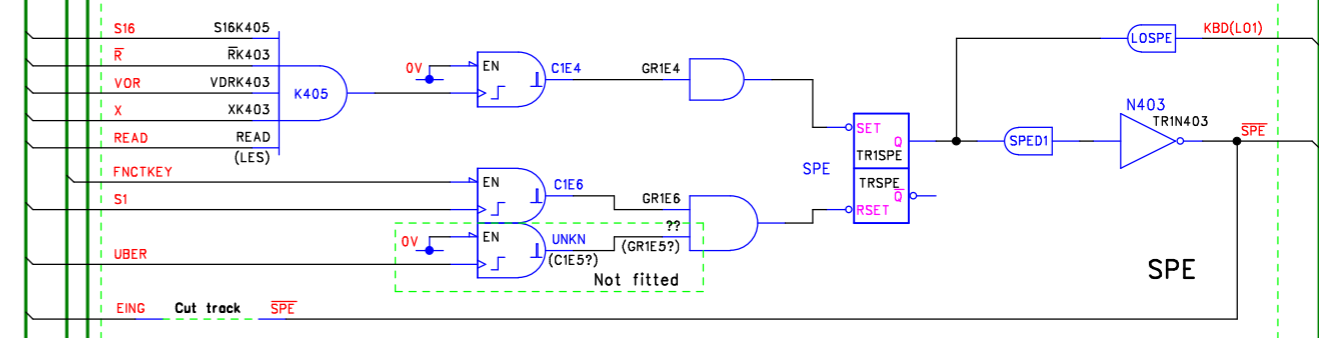
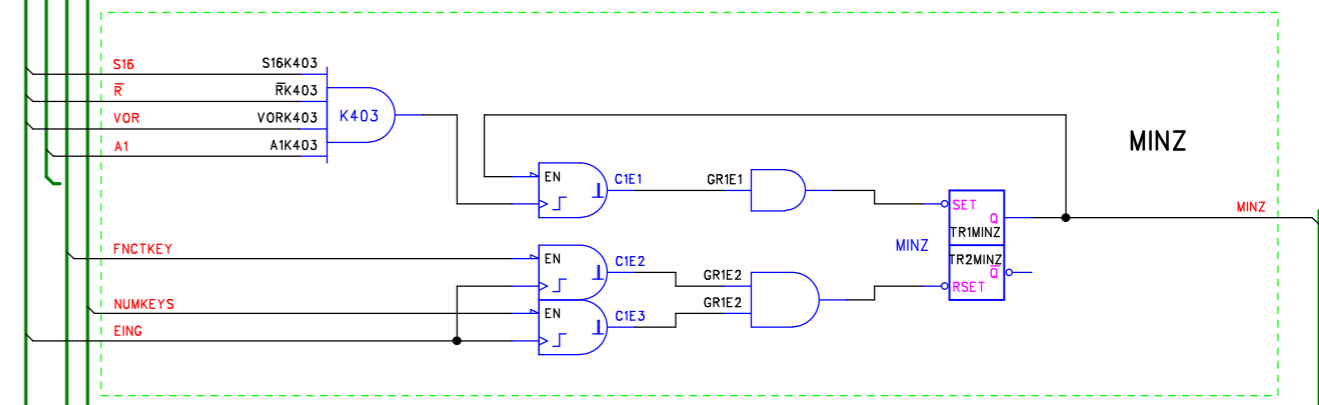
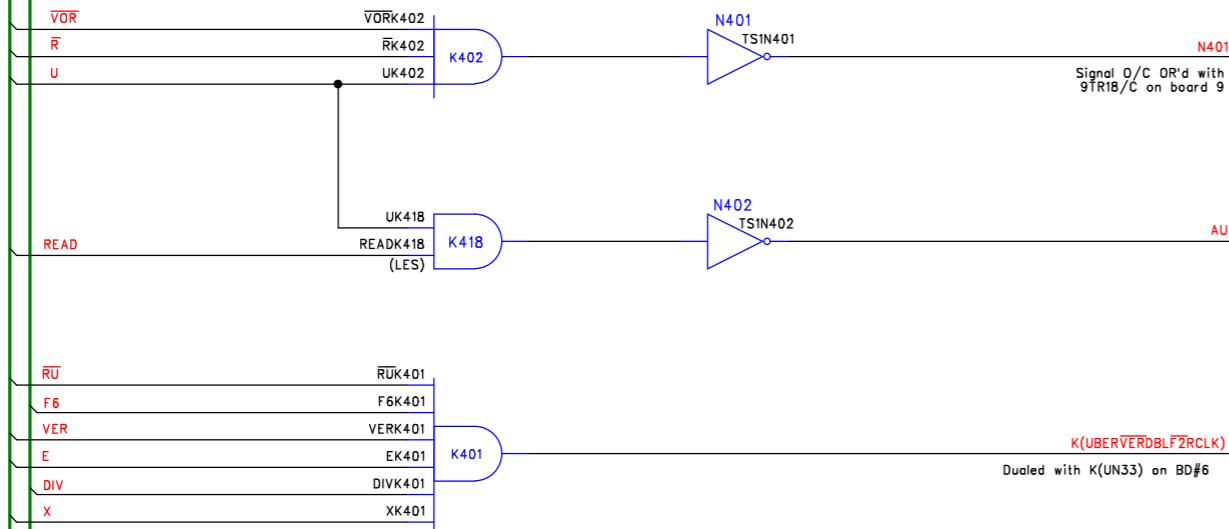
Negative logic referenced to 0V - Logical 1 = -12v, logical 0 = 0v



DM Associates
 33, Northbrook Road,
 Aldershot, Hampshire, GU11 3HE
 Email: mike@soemtron.org
 www.soemtron.org

Pcb Dwg # =		Scale	Nts	Title	
Drawn	MD Hatch	Sheet	14	Soemtron ETR 222 Calculator #14/1 - Nixie drivers Logic Diagram	
Checked	-	Next Sheet	15	Soemtron 222 Logic	
		Drawing Number	A2	Issue	A

ENCODED-NUMBER [1,13]
 ENCODED-FUNCTION [3,5,6,10,11,12,13]
 A-BUSS [1,3,6,7,8,10,11,12,14]
 FUNCTIONS [2,3,4,5,6,7,8,9,10,11,12]
 CONTROL [1,2,3,4,5,6,7,8,9,10,11,12,14,16]



RevNo	Revision note	Date	By	Checked
-	-	-	-	-

Next is K(UN135)
 Next is N(UN45)
 Next is D(UN15)
 Negative logic referenced to 0V - Logical 1 = -12v, logical 0 = 0v



DM Associates
 33, Northbrook Road,
 Aldershot, Hampshire, GU11 3HE
 Email: mike@soemtron.org
 www.soemtron.org

Pcb Dwg # =		Scale	Nts	Title	
Drawn	Name	Date	Sheet	Soemtron ETR 222 Calculator	
Checked	MD Hatch	19/03/2021	Next Sheet	#14/2 - MINZ, SPE	
			Drawing Number	Logic Diagram	
				Soemtron 222 Logic	A2 Issue A