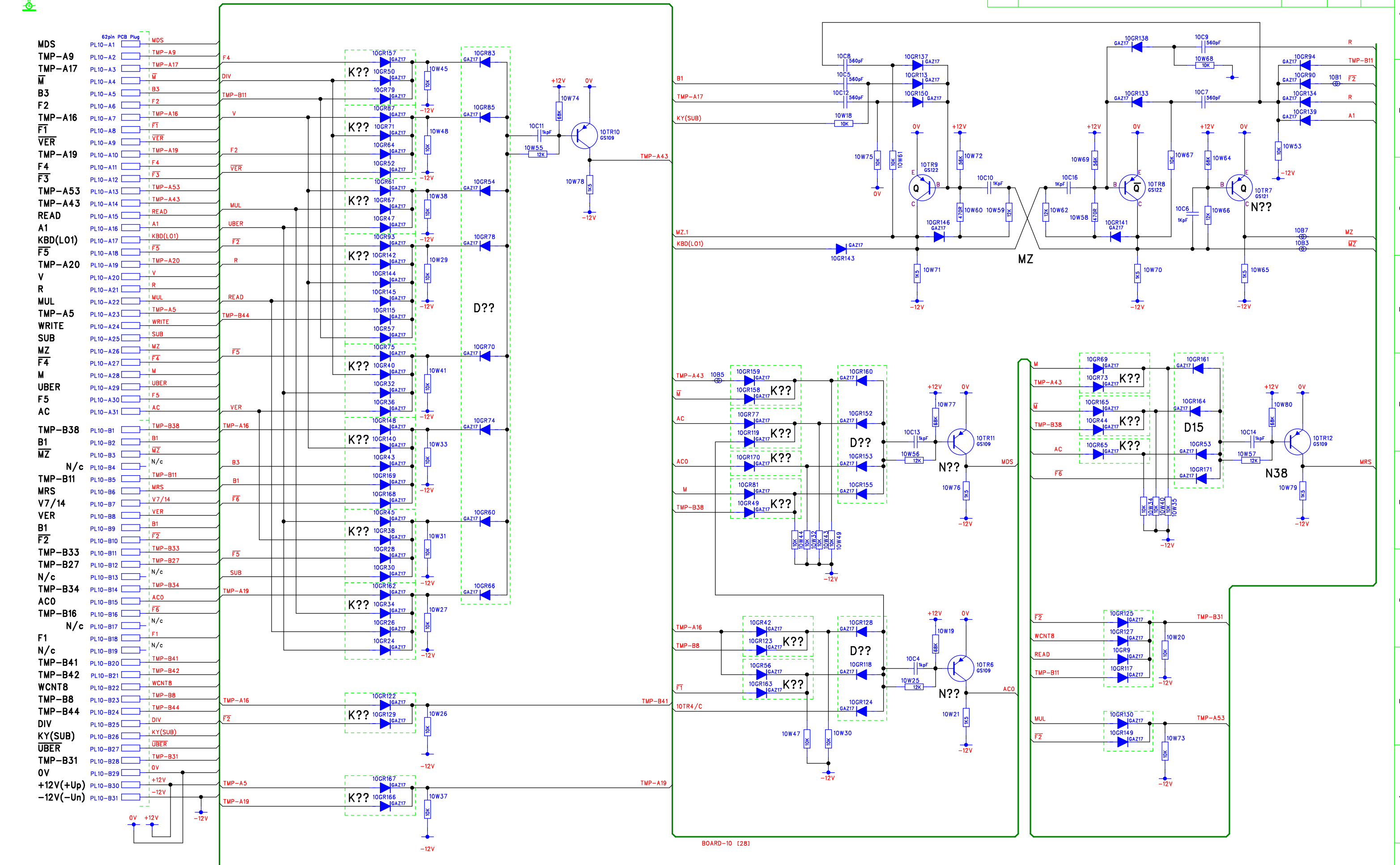


Comp side -
 Solder side - 224-307-010a 3970
 Date coded -

RevNo	Revision note	Date	By	Checked
-	-	-	-	-



These diagrams are referenced to 0V - Logical 1 = -12v, logical 0 = 0V

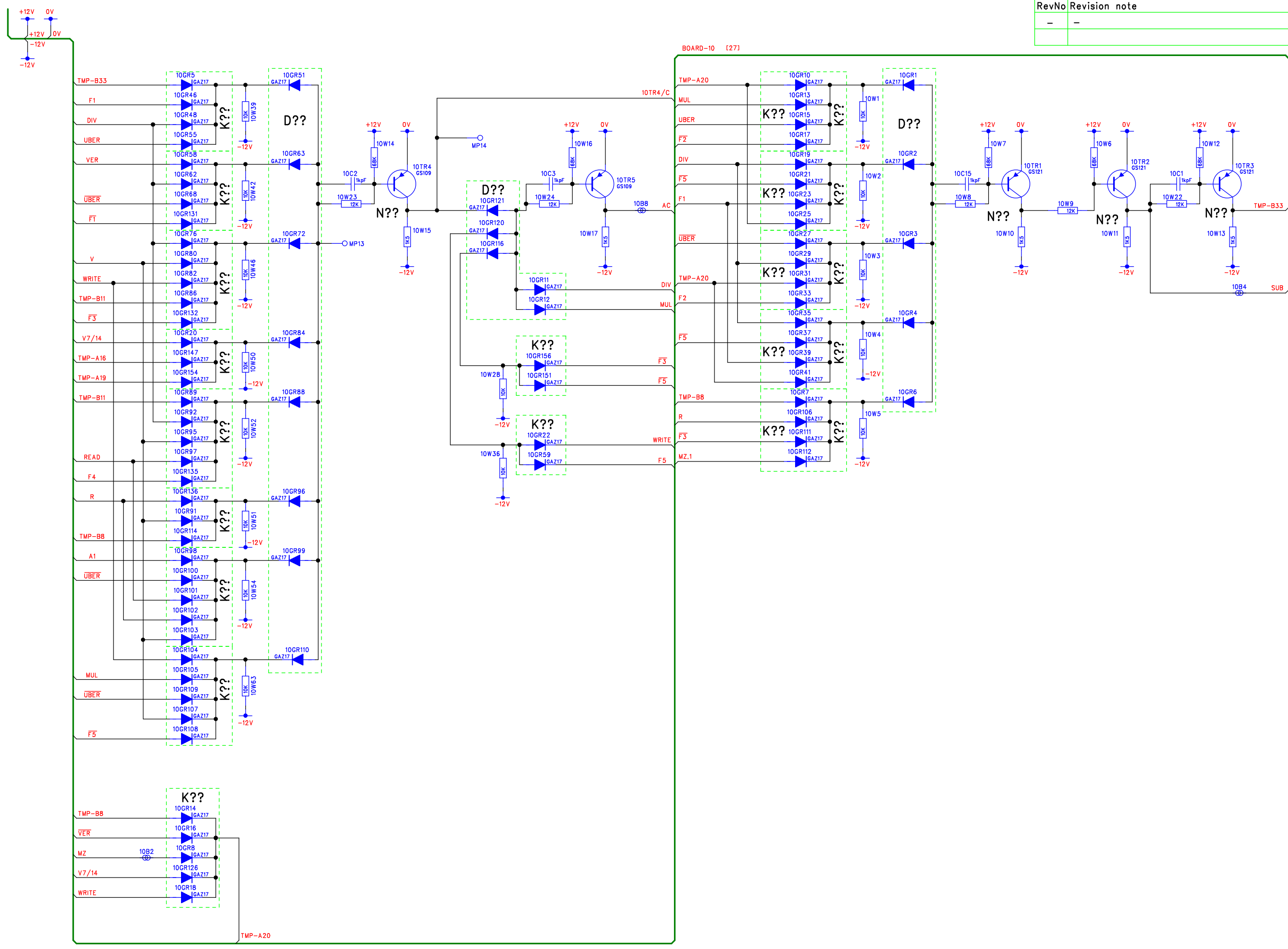


© 2014 Mike Hatch. (www.soemtron.org)

DM Associates
 33, Northbrook Road
 Aldershot, Hampshire. GU11 3HE
 Email: mike@soemtron.org
 www.soemtron.org

Pcb Dwg # =		Scale	Nts	Title Soemtron ETR 224 Calculator Transcribed Misc Circuits Board 10 - MZ + Gating
Drawn	Name MD Hatch	Date 16/6/2014	Sheet 28	
Checked			Next Sheet 29	Drawing Number Soemtron 224

RevNo	Revision note	Date	By	Checked
-	-	-	-	-



These diagrams are referenced to 0V - Logical 1 = -12v, logical 0 = 0V



DM Associates
 33, Northbrook Road
 Aldershot, Hampshire. GU11 3HE
 Email: mike@soemtron.org
 www.soemtron.org

Pcb Dwg # =

Drawn	Name	Date
Checked	MD Hatch	16/6/2014

Scale	Nts
Sheet	29
Next Sheet	30
Drawing Number	Soemtron 224

Title	Soemtron ETR 224 Calculator
	Transcribed Misc Circuits
	Board 10 - Misc Gating
Issue	A2

© 2014 Mike Hatch. (www.soemtron.org)