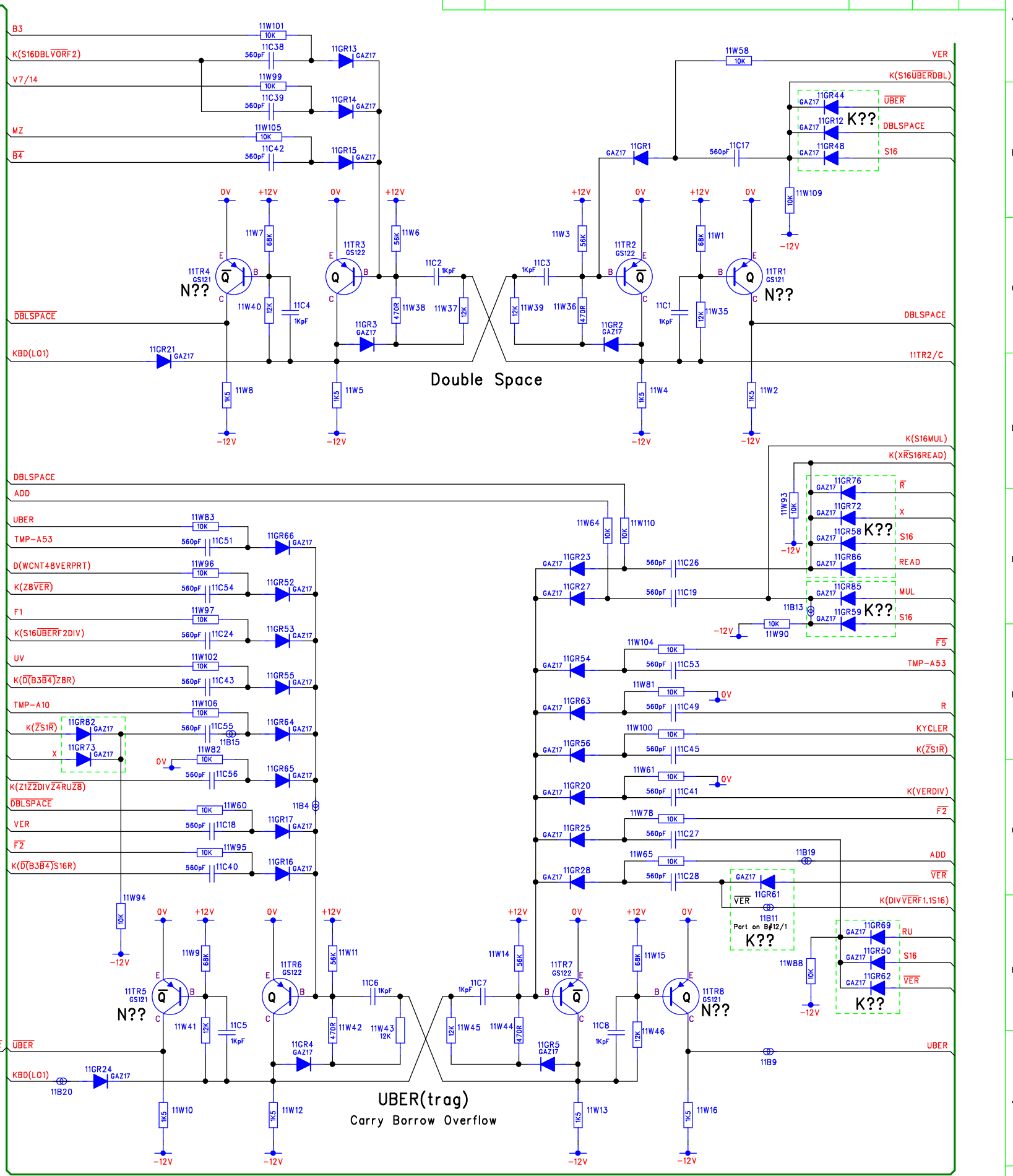
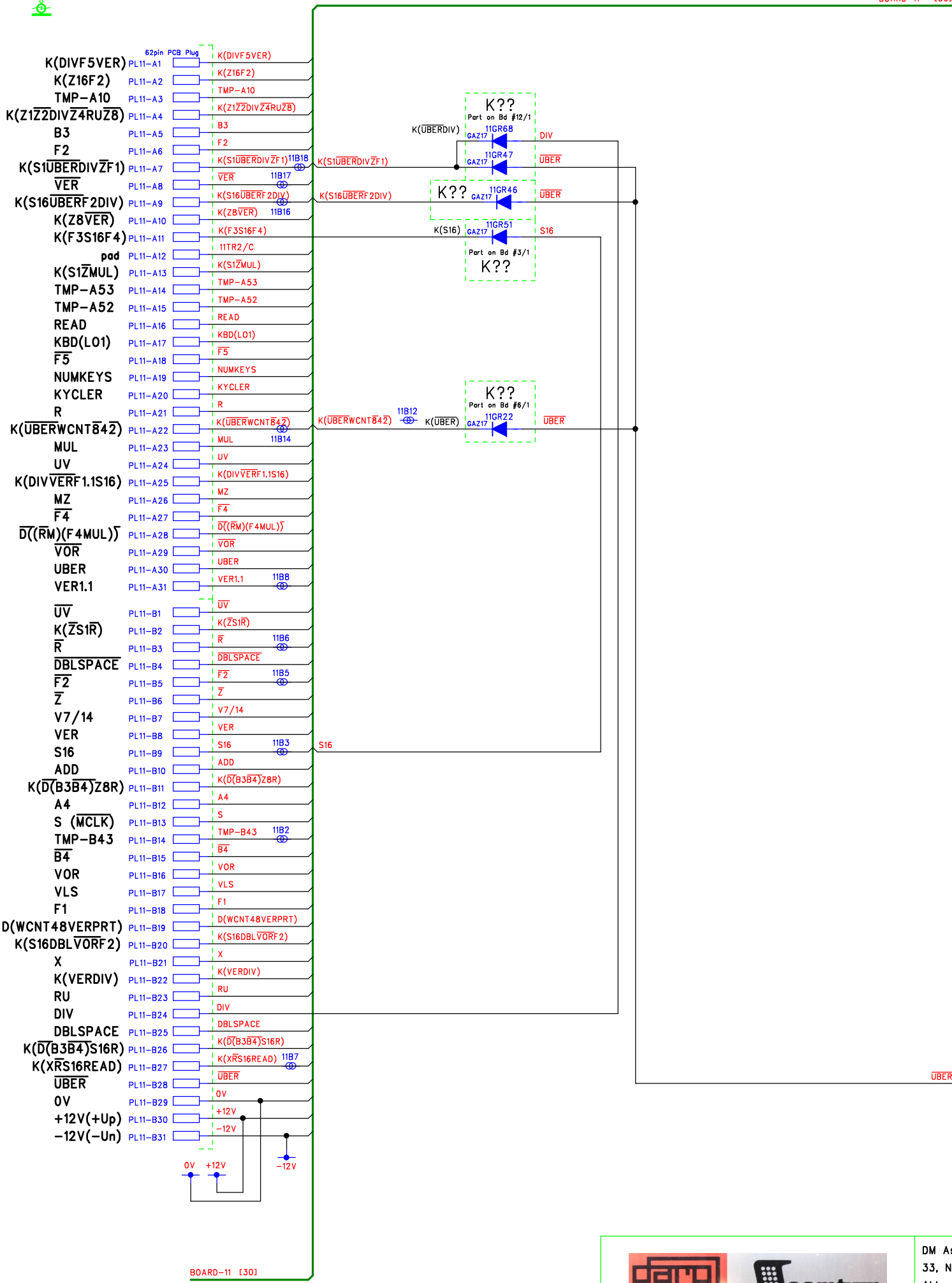


Comp side -
 Solder side - 224-307-011a 3970
 Date coded -

RevNo	Revision note	Date	By	Checked
-	-	-	-	-



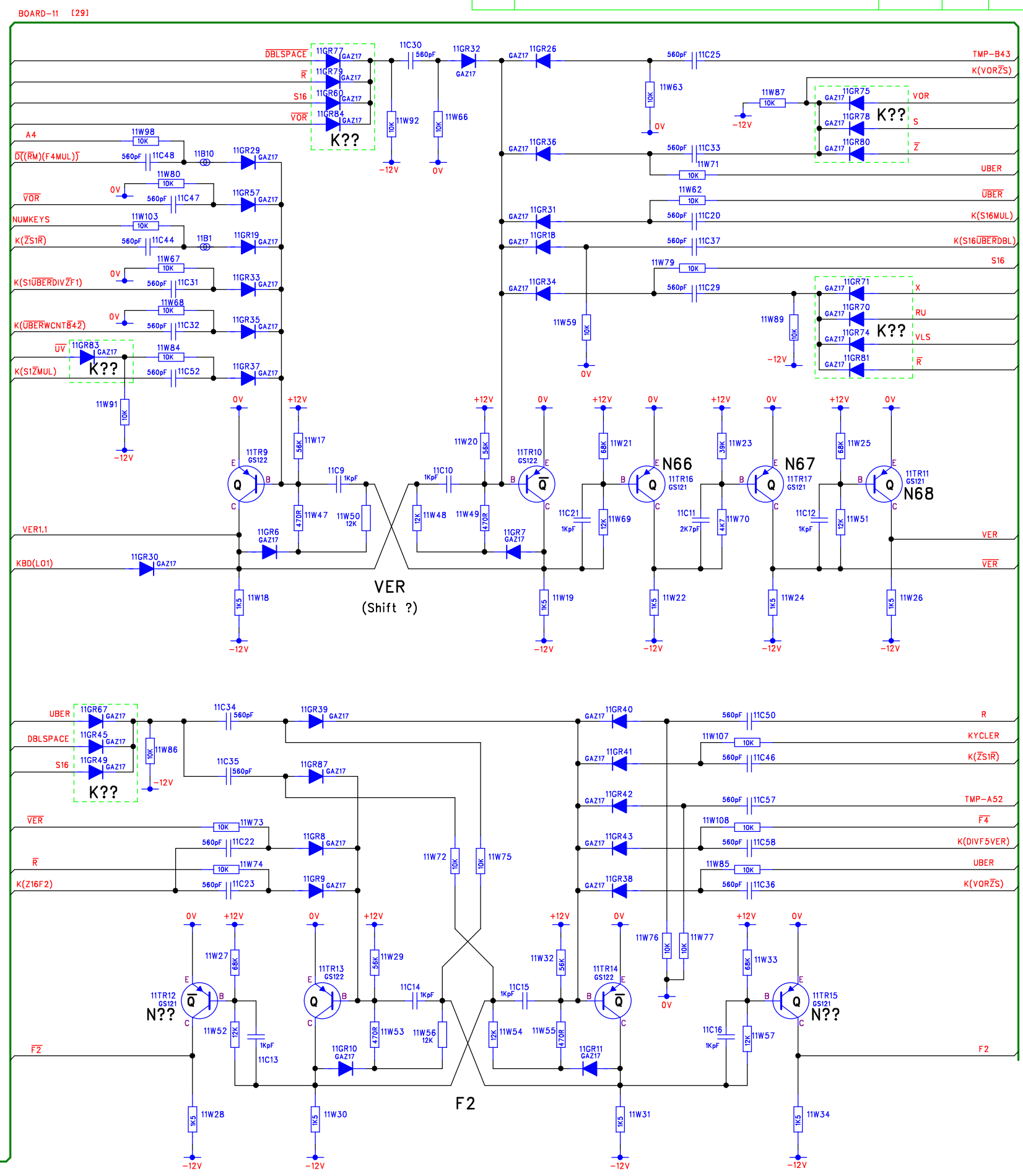
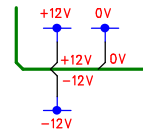
These diagrams are referenced to 0V - Logical 1 = -12V, logical 0 = 0V



DM Associates
 33, Northbrook Road
 Aldershot, Hampshire. GU11 3HE
 Email: mike@soemtron.org
 www.soemtron.org

Pcb Dwg # =		Scale	Nts	Title	
Drawn	Name	Sheet	29	Soemtron ETR 224 Calculator	
Checked	Date	Next Sheet	30	Transcribed Misc Circuits	
		Drawing Number		Board 11/1 - Uber & Double Space	
				Soemtron 224	A2 Issue A

RevNo	Revision note	Date	By	Checked
-	-	-	-	-



These diagrams are referenced to 0V - Logical 1 = -12V, logical 0 = 0V



DM Associates
 33, Northbrook Road
 Aldershot, Hampshire. GU11 3HE
 Email: mike@soemtron.org
 www.soemtron.org

Pcb Dwg # =

Drawn	Name	Date
Checked	MD Hatch	4/7/2014

Scale	Nts
Sheet	30
Next Sheet	31
Drawing Number	

Title	Soemtron ETR 224 Calculator
	Transcribed Misc Circuits
	Board 11/2 - Ver & F2
	Soemtron 224
A2 Issue	A