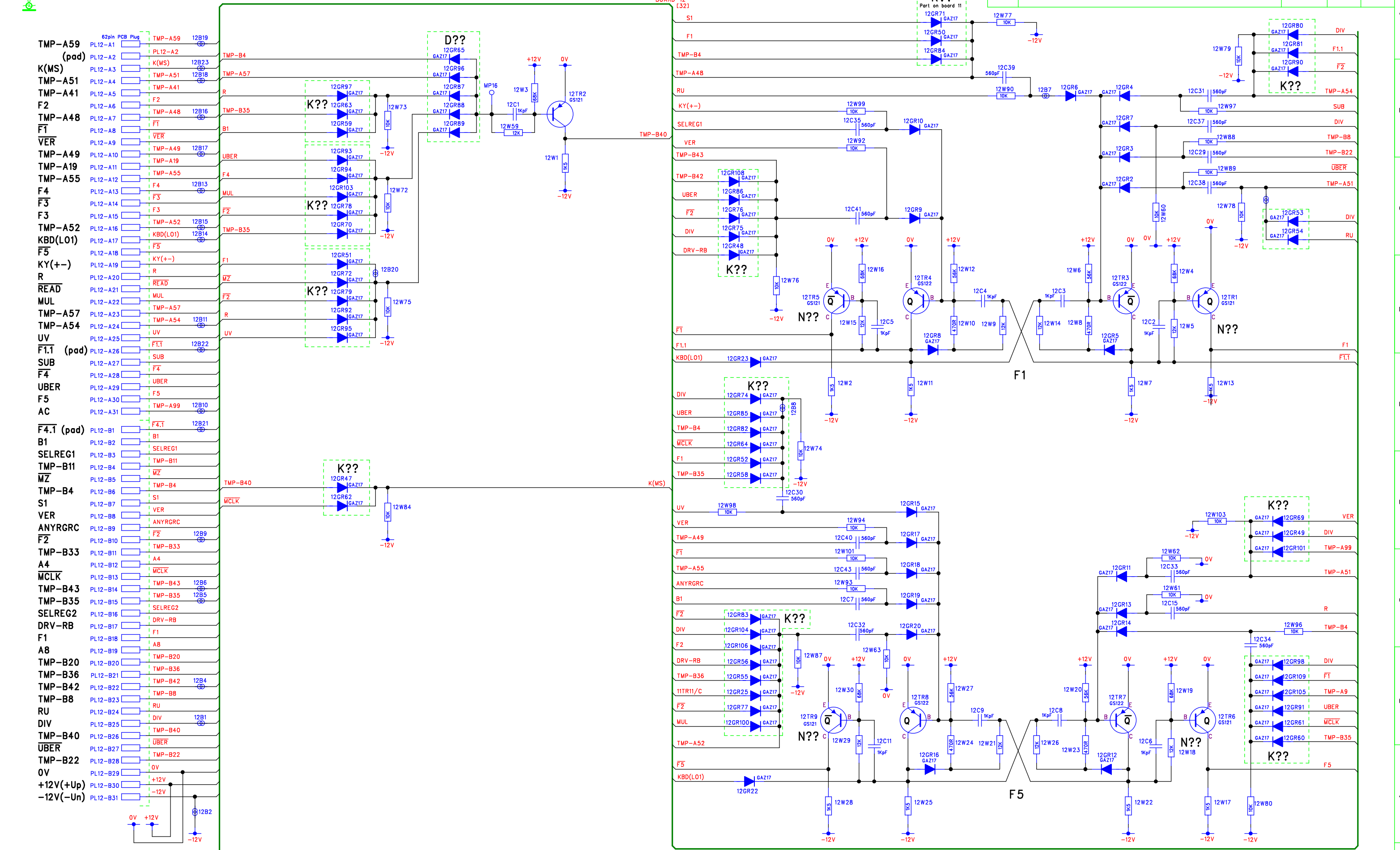


Comp side -  
 Solder side - 224-307-012d 3971-  
 Date coded -

RevNo	Revision note	Date	By	Checked
-	-	-	-	-



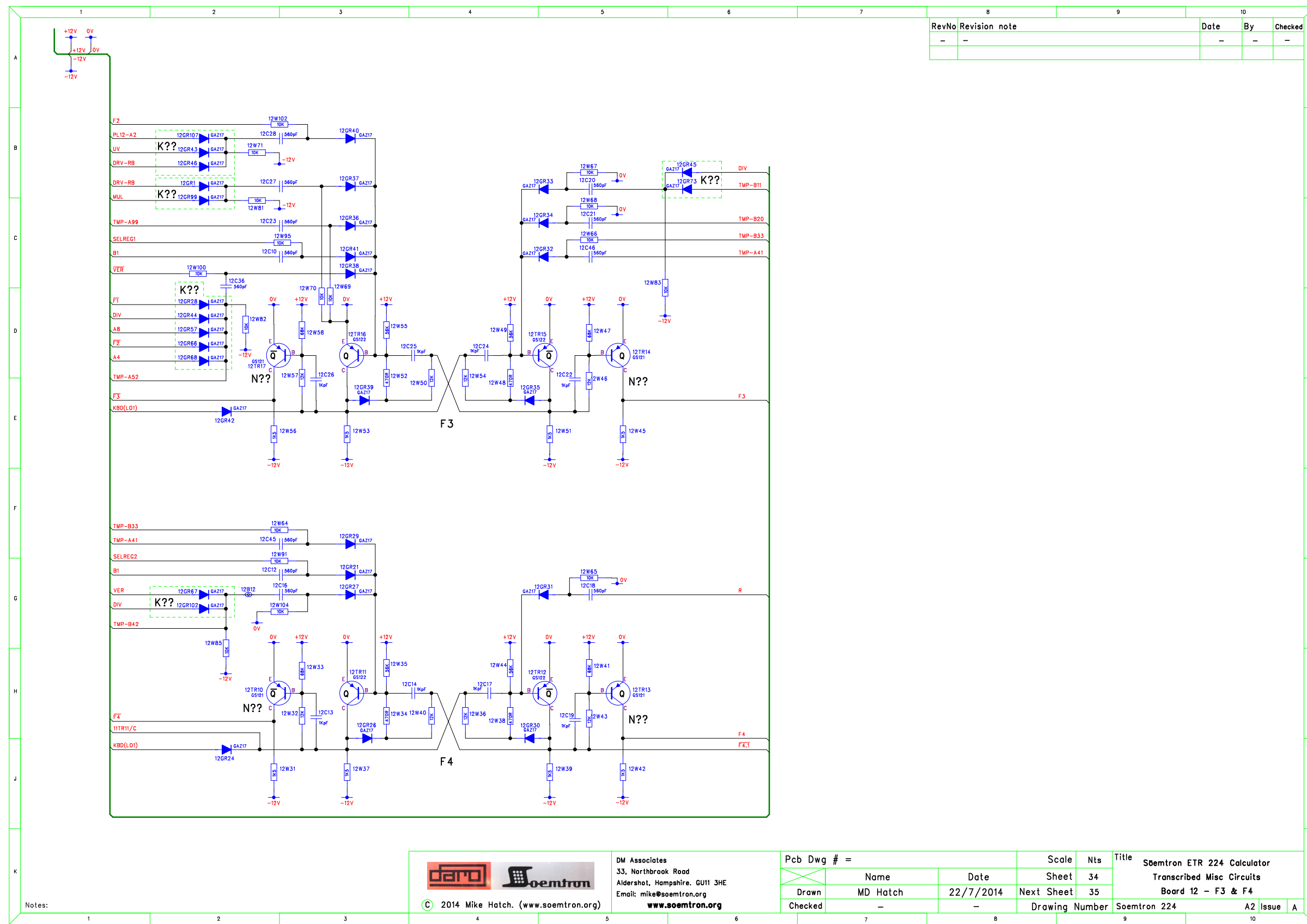
These diagrams are referenced to 0V - Logical 1 = -12v, logical 0 = 0V



DM Associates  
 33, Northbrook Road  
 Aldershot, Hampshire. GU11 3HE  
 Email: mike@soemtron.org  
 www.soemtron.org

Pcb Dwg # =		Scale	Nts	Title	
Drawn	Name	Sheet	32	Soemtron ETR 224 Calculator	
Checked	Date	Next Sheet	33	Transcribed Misc Circuits	
	22/7/2014	Drawing Number		Board 12 - F1 & F5	
				Soemtron 224	A2 Issue A

BOARD-12  
(31)



RevNo	Revision note	Date	By	Checked
-	-	-	-	-



DM Associates  
33, Northbrook Road  
Aldershot, Hampshire. GU11 3HE  
Email: [mike@soemtron.org](mailto:mike@soemtron.org)  
[www.soemtron.org](http://www.soemtron.org)

Pcb Dwg # =		Scale	Nts	Title	
Name	Date	Sheet	34	Soemtron ETR 224 Calculator	
Drawn	22/7/2014	Next Sheet	35	Transcribed Misc Circuits	
Checked	-	Drawing Number		Board 12 - F3 & F4	
				Soemtron 224	A2 Issue A

Notes: