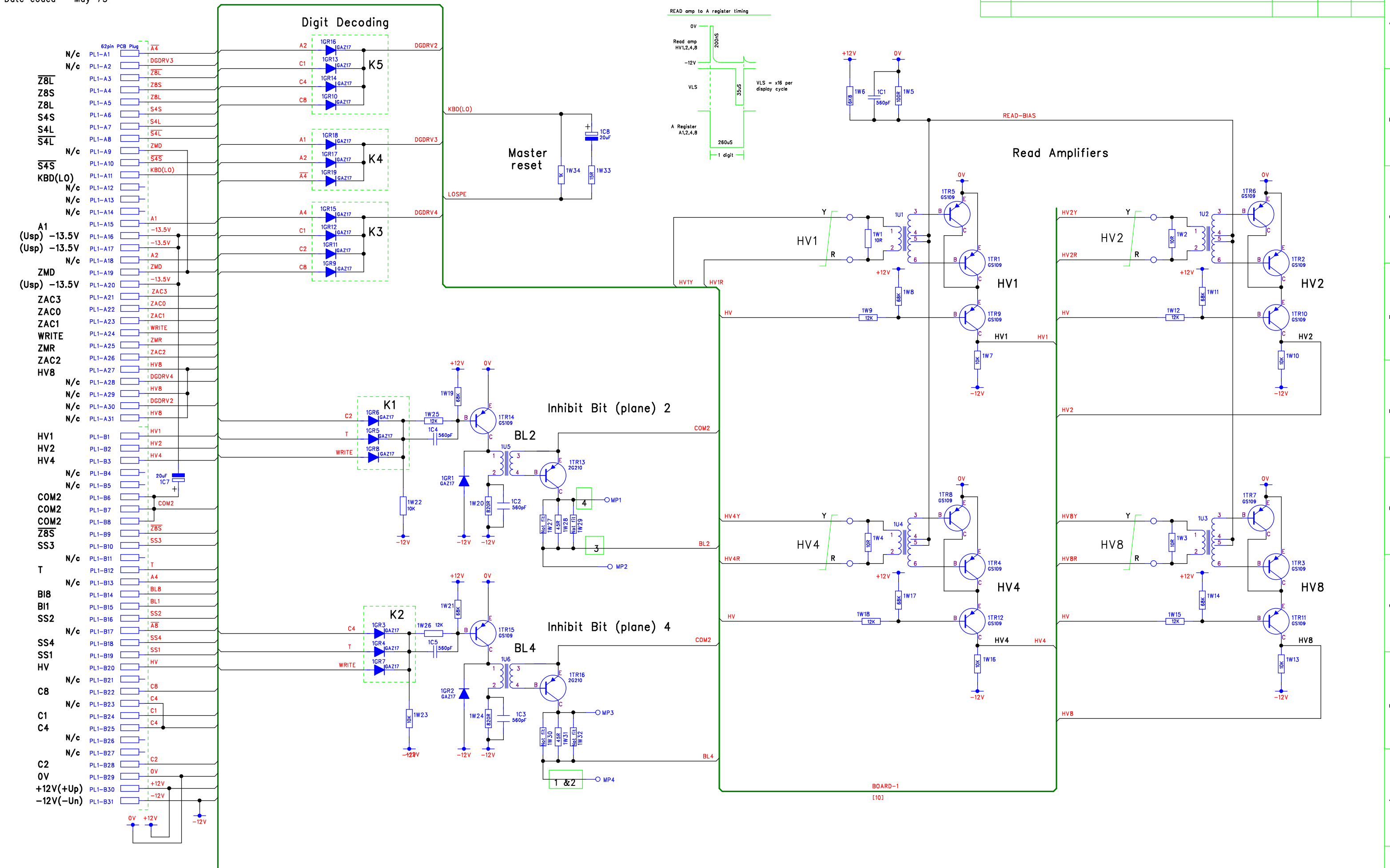


Comp side - ETR 220
 Solder side - 3033 05-220-7001-0 0e
 Date coded - May 73

RevNo	Revision note	Date	By	Checked
-	-	-	-	-



These diagrams are referenced to 0V - Logical 1 = -12v, logical 0 = 0V

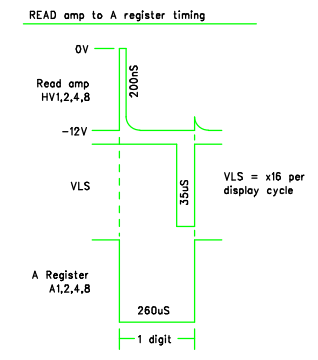
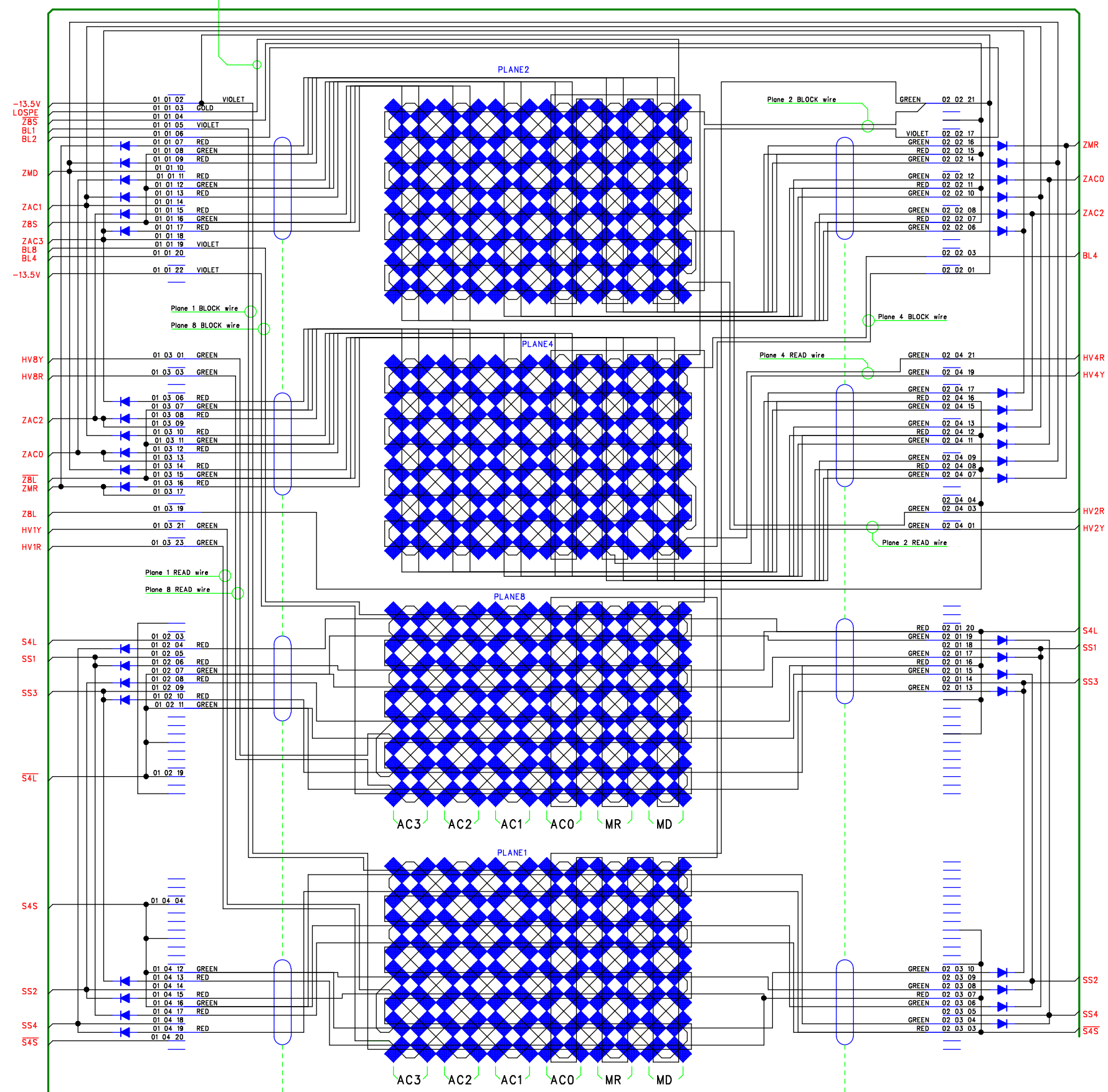


DM Associates
 33, Northbrook Road
 Aldershot, Hampshire. GU11 3HE
 Email: mike@soemtron.org
 www.soemtron.org

Pcb Dwg # =		Scale	Nts	Title	
Drawn	Name	Sheet	10	Soemtron ETR 224 Calculator	
Checked	Date	Next Sheet	11	Transcribed Misc Circuits	
		Drawing Number		Digit Decoding and Read Amps	
				Soemtron 224	
				A2 Issue	A

RevNo	Revision note	Date	By	Checked
-	-	-	-	-

Lö SPE only clears the MD, MR and ACO registers



Each of these eight groups of ROW / COLOUMN wire sets is shown passing through one plane only. They actually pass through all four planes.

These diagrams are referenced to 0V - Logical 1 = -12v, logical 0 = 0V



DM Associates
33, Northbrook Road
Aldershot, Hampshire. GU11 3HE
Email: mike@soemtron.org
www.soemtron.org

Pcb Dwg # =

Name	Date
Drawn MD Hatch	16/5/2014
Checked -	-

Scale	Nts
Sheet 11	11
Next Sheet 12	12
Drawing Number	Soemtron 220

Title	Issue
Soemtron ETR 224 Calculator Transcribed Misc Circuits Core Store - Planes	A2
Issue A	A

© 2014 Mike Hatch. (www.soemtron.org)