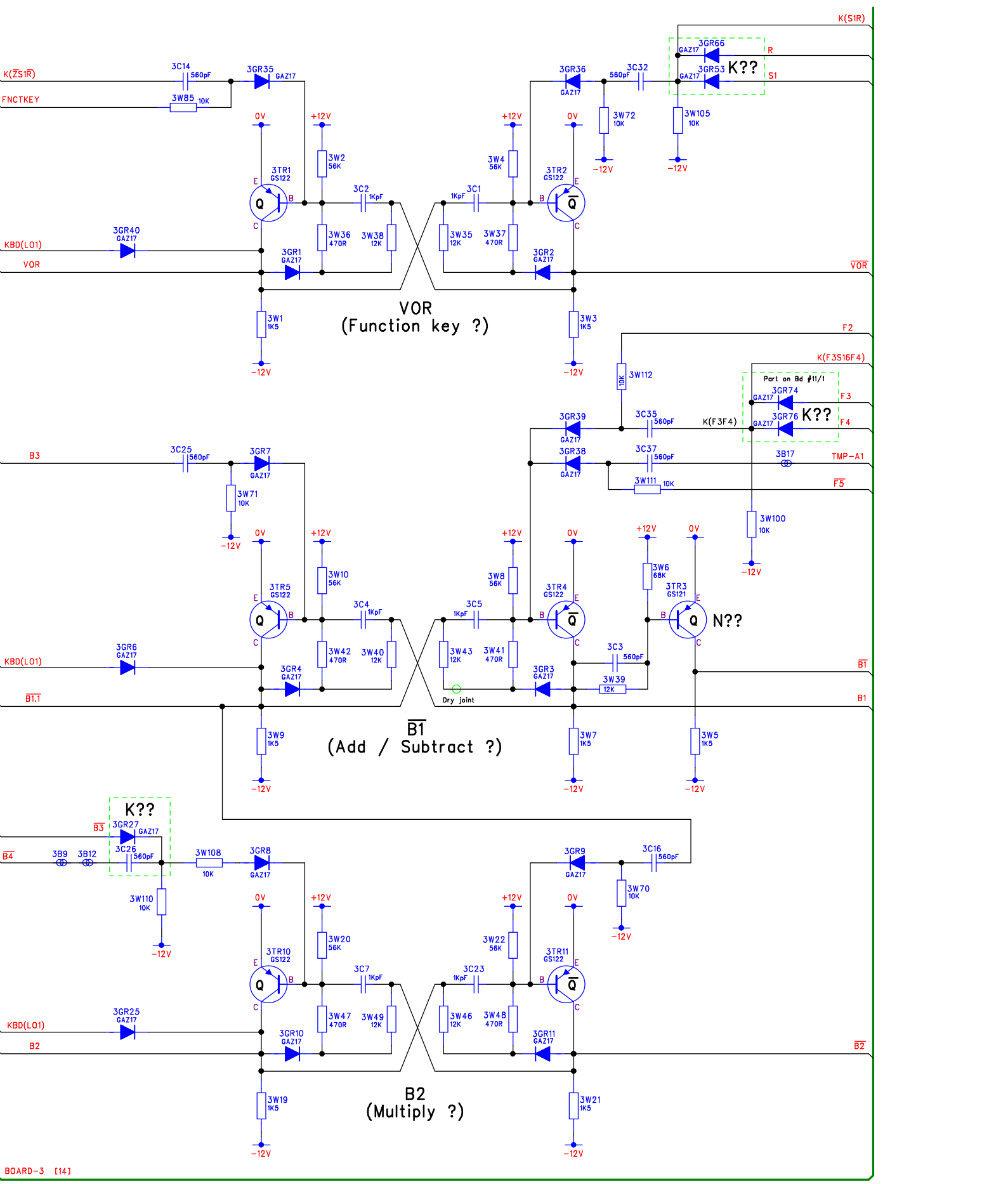
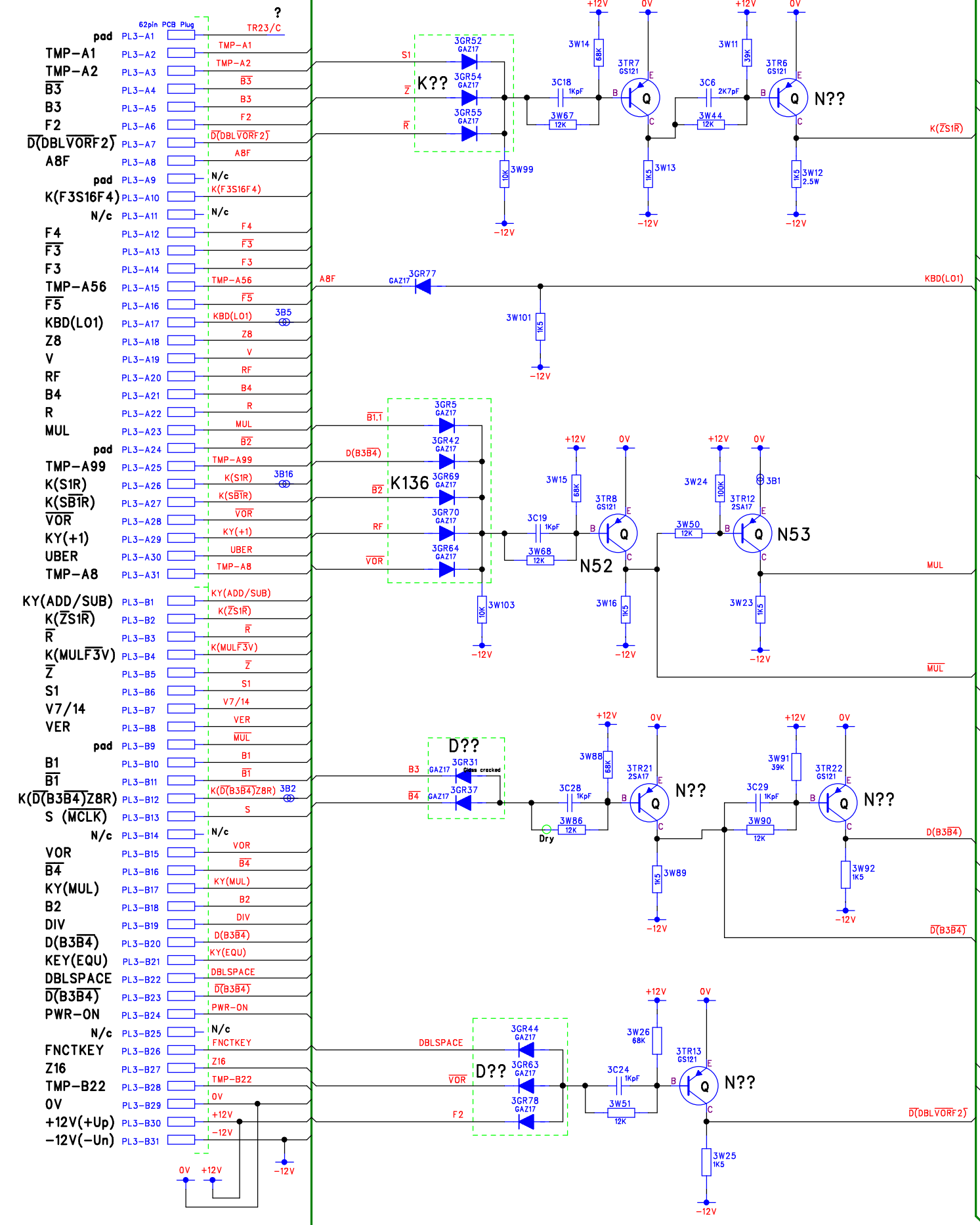



RevNo	Revision note	Date	By	Checked
-	-	-	-	-

Comp side -
Solder side - 224-307-003d 3966
Date coded -



These diagrams are referenced to 0V - Logical 1 = -12V, logical 0 = 0V



DM Associates
33, Northbrook Road
Aldershot, Hampshire. GU11 3HE
Email: mike@soemtron.org
www.soemtron.org

© 2014 Mike Hatch. (www.soemtron.org)

Pcb Dwg # =

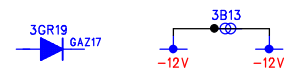
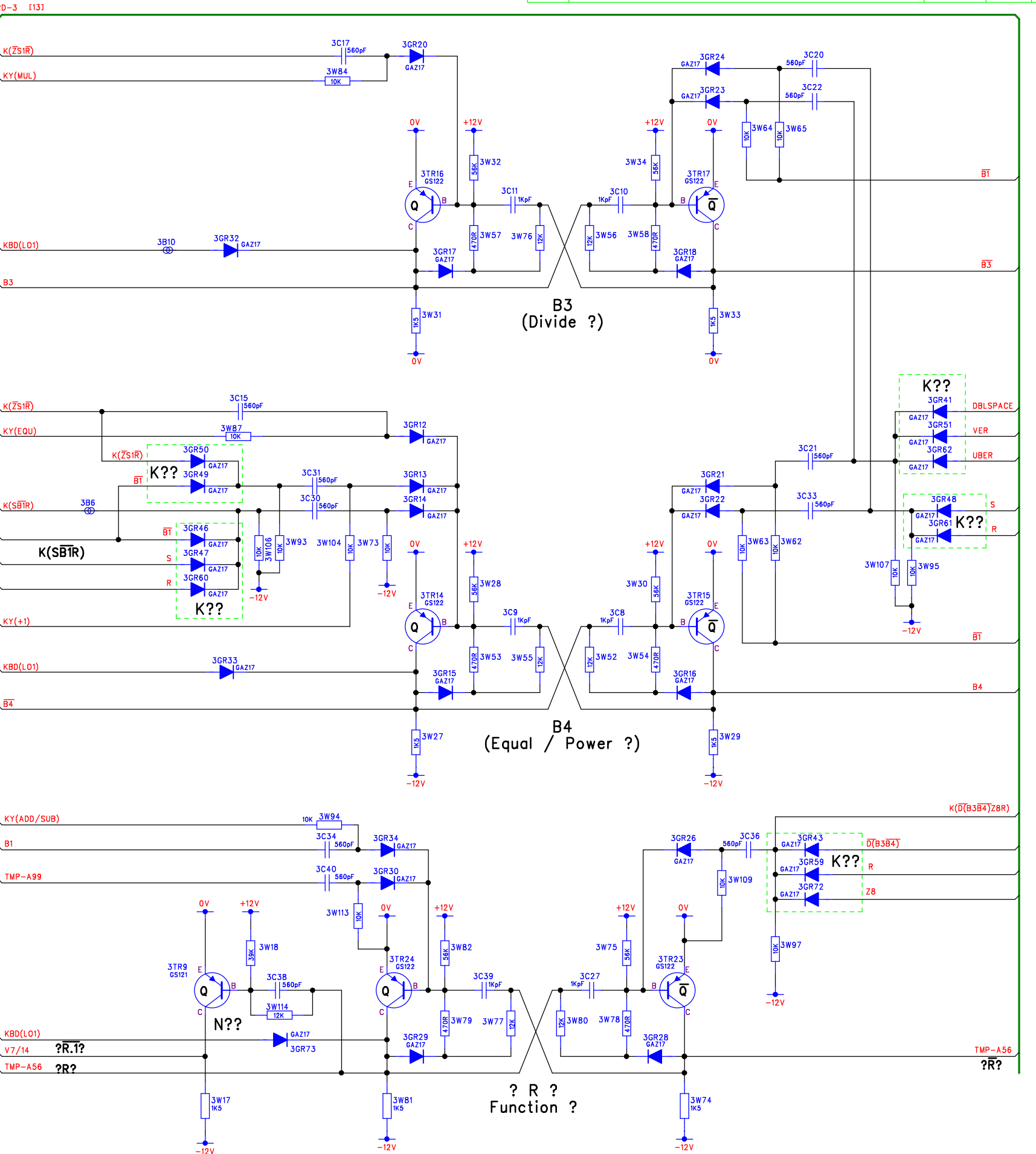
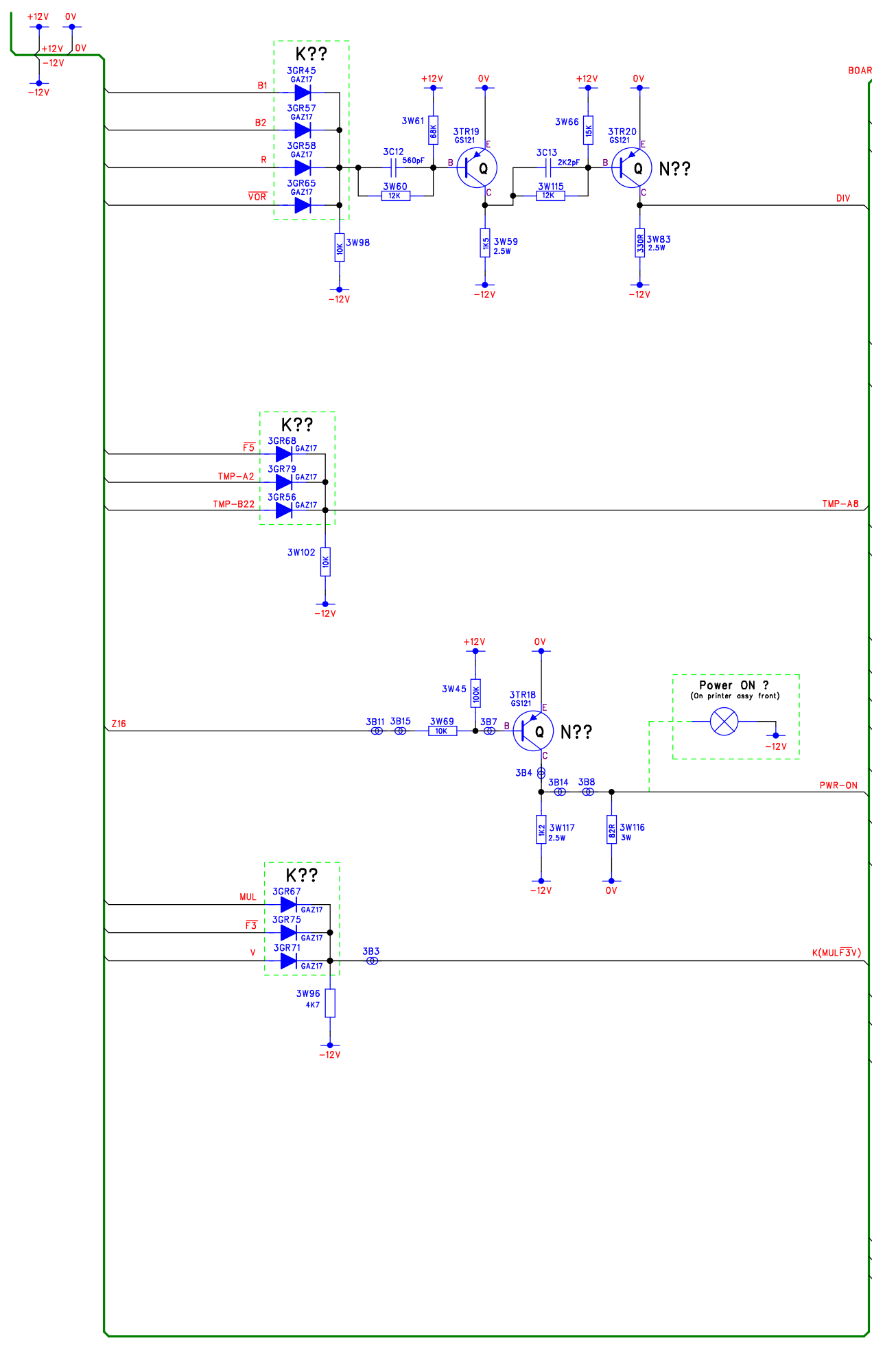
Drawn	Name	Date	Scale	Nts
Checked	MD Hatch	25/3/2014	Sheet	13
			Next Sheet	14
			Drawing Number	Soemtron 224

A2 Issue A

Title

Soemtron ETR 224 Calculator
Transcribed Misc Circuits
Board 3/1 - B1, B2, VOR

RevNo	Revision note	Date	By	Checked
-	-	-	-	-



These diagrams are referenced to 0V - Logical 1 = -12V logical 0 = 0V



DM Associates
33, Northbrook Road
Aldershot, Hampshire. GU11 3HE
Email: mike@soemtron.org
www.soemtron.org

Pcb Dwg # =		Scale	Nts	Title	
Drawn	Name	Date	Sheet	Soemtron ETR 224 Calculator	
Checked	MD Hatch	31/3/2014	Next Sheet	Transcribed Misc Circuits	
			Drawing Number	Board 3/2 - B3, B4, ?	
				Soemtron 224	A2 Issue A

© 2014 Mike Hatch. (www.soemtron.org)