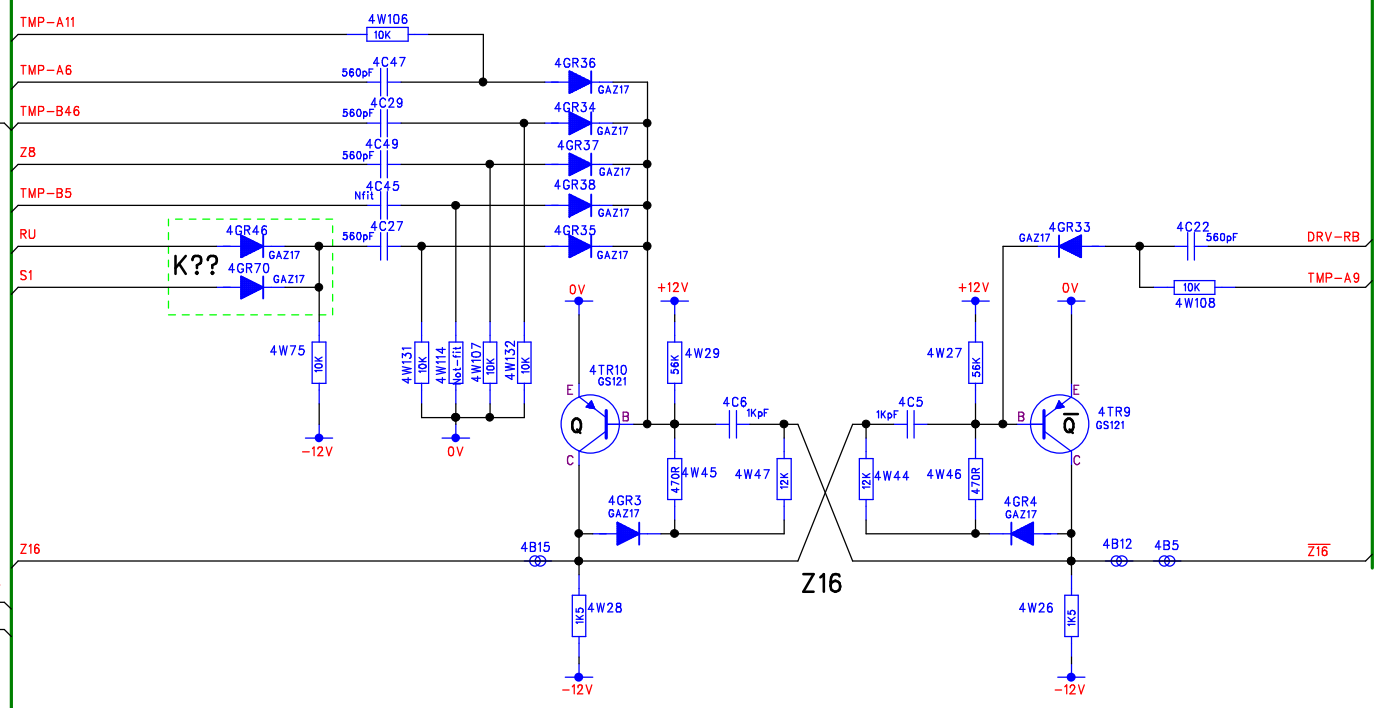
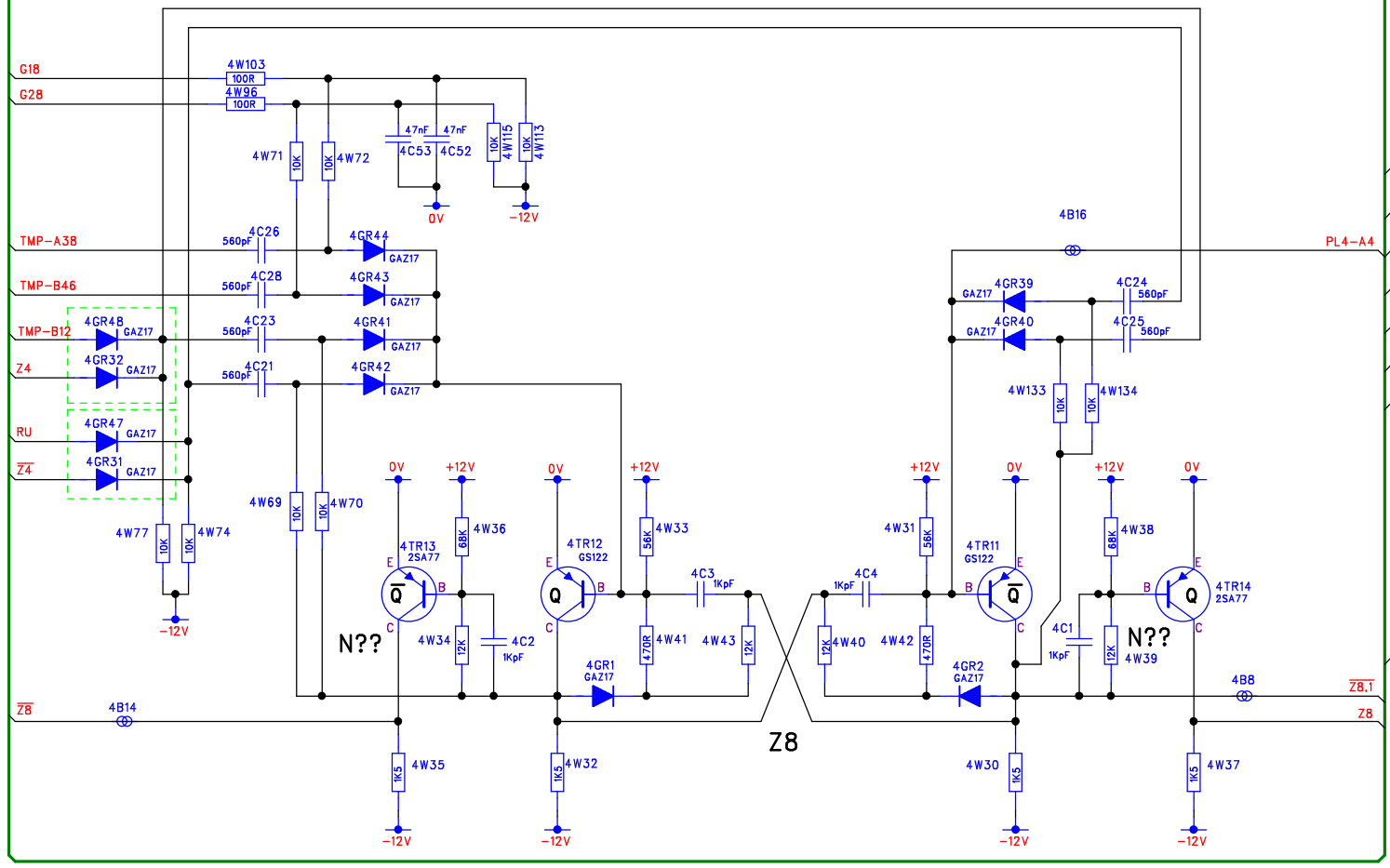
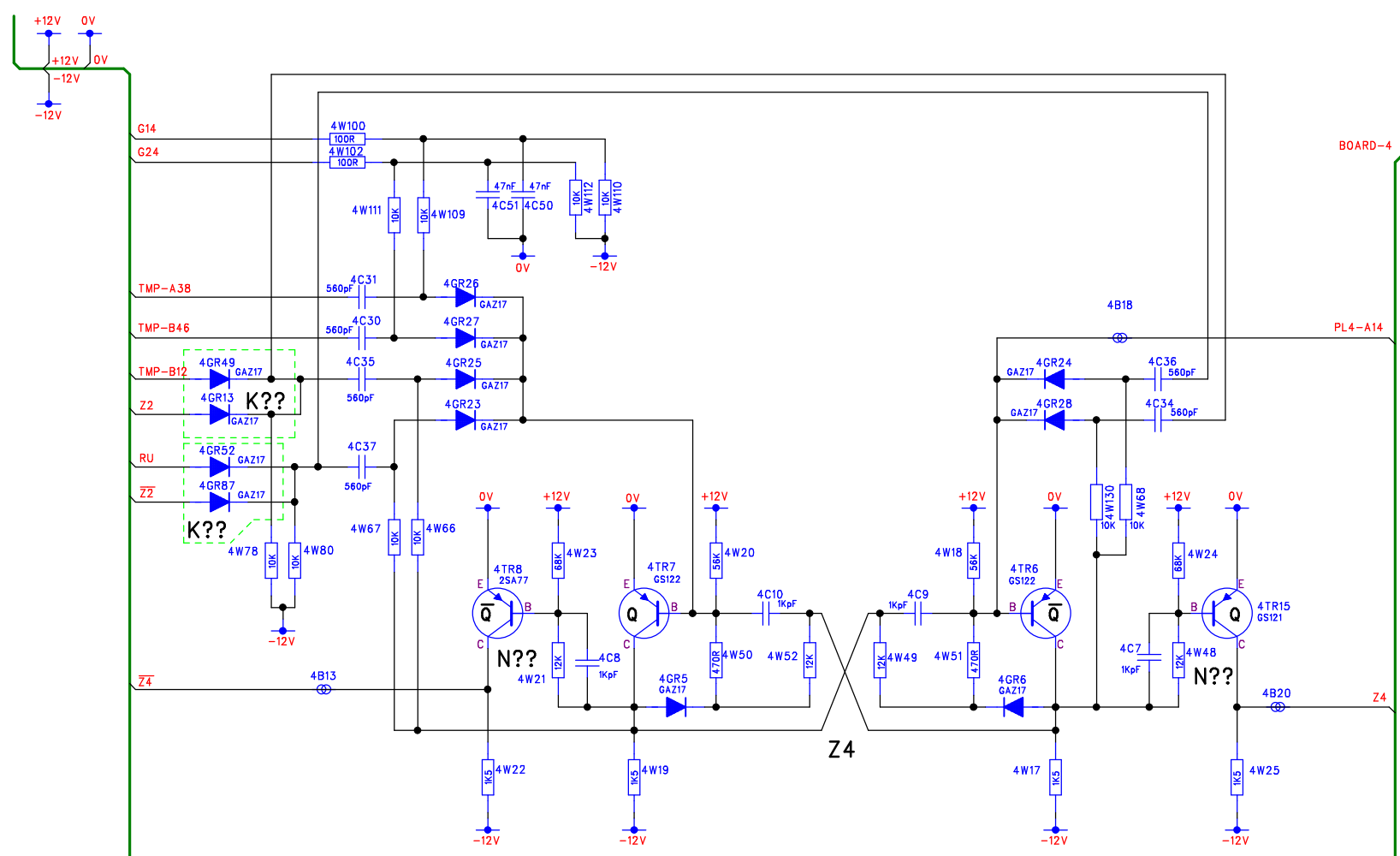




| RevNo | Revision note | Date | By | Checked |
|-------|---------------|------|----|---------|
| -     | -             | -    | -  | -       |



These diagrams are referenced to 0V - Logical 1 = -12v, logical 0 = 0V



DM Associates  
 33, Northbrook Road  
 Aldershot, Hampshire. GU11 3HE  
 Email: mike@soemtron.org  
 www.soemtron.org

© 2014 Mike Hatch. (www.soemtron.org)

Pcb Dwg # =

|          |           |
|----------|-----------|
| Name     | Date      |
| MD Hatch | 11/4/2014 |
| Checked  | -         |

|                |              |
|----------------|--------------|
| Scale          | Nts          |
| Sheet          | 17           |
| Next Sheet     | 18           |
| Drawing Number | Soemtron 224 |

|       |                                     |
|-------|-------------------------------------|
| Title | Soemtron ETR 224 Calculator         |
|       | Transcribed Misc Circuits           |
|       | Board 4/2 - Z Counter, Drive 1,4,17 |
| Issue | A2                                  |