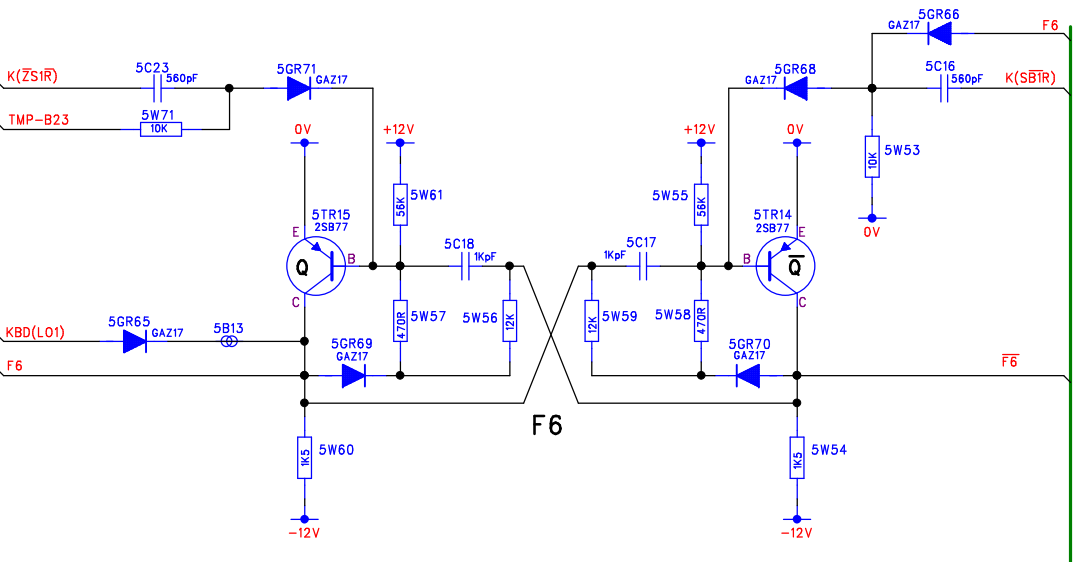
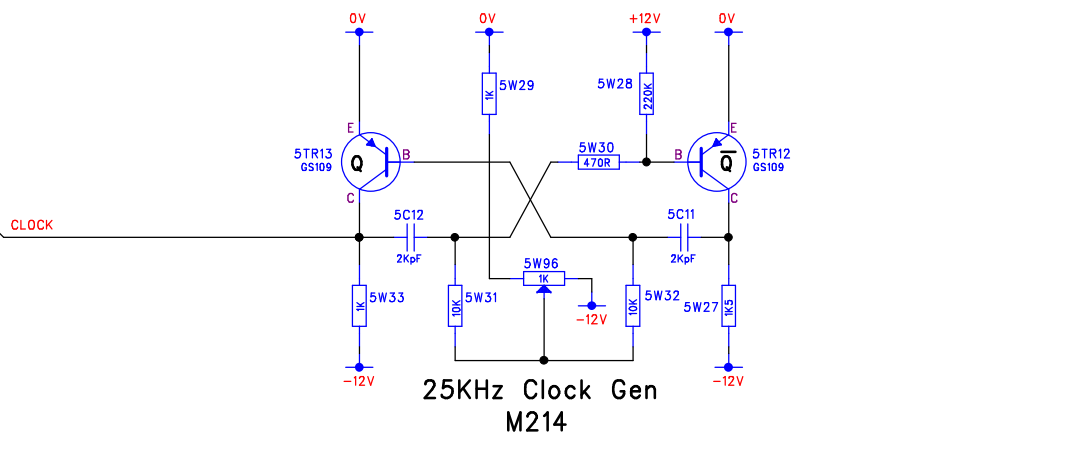
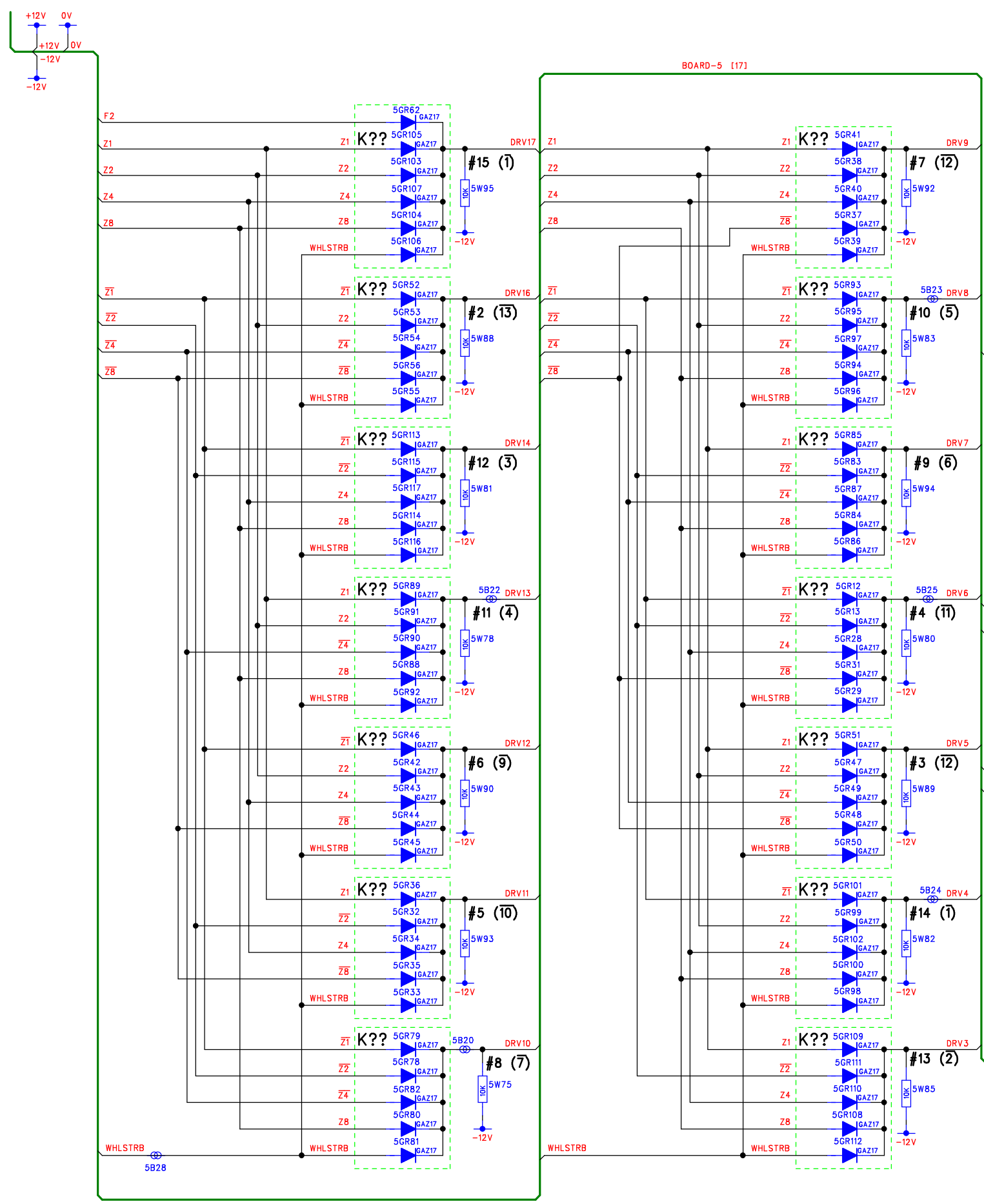


| RevNo | Revision note | Date | By | Checked |
|-------|---------------|------|----|---------|
| -     | -             | -    | -  | -       |



Drive 2 is on board 4/1  
 Drive 15 is on board 4/1  
 Drive 18 is on board 4/1  
 Drive 1 is on board 6/2

These diagrams are referenced to 0V - Logical 1 = -12V, logical 0 = 0V



DM Associates  
 33, Northbrook Road  
 Aldershot, Hampshire. GU11 3HE  
 Email: mike@soemtron.org  
 www.soemtron.org

Pcb Dwg # =

| Name           | Date      | Scale         | Nts |
|----------------|-----------|---------------|-----|
| Drawn MD Hatch | 25/4/2014 | Sheet 18      |     |
| Checked -      | -         | Next Sheet 19 |     |
| Drawing Number |           | Soemtron 224  |     |

Title  
 Soemtron ETR 224 Calculator  
 Transcribed Misc Circuits  
 Board 5/2 - Clock, DRV2-16  
 A2 Issue A