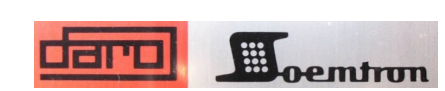


These diagrams are referenced to 0V - Logical 1 = -12v, logical 0 = 0V

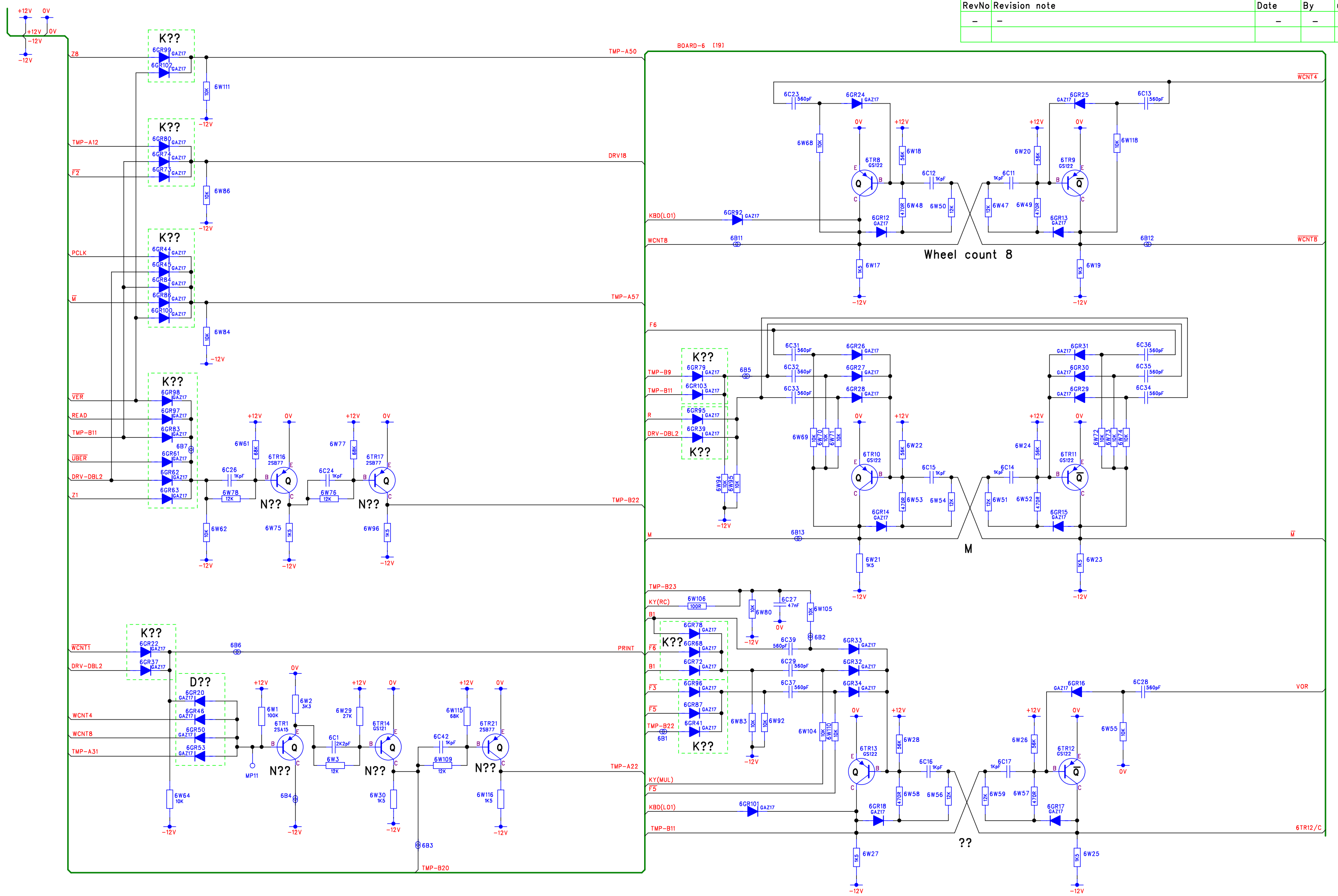


DM Associates  
 33, Northbrook Road  
 Aldershot, Hampshire. GU11 3HE  
 Email: mike@soemtron.org  
 www.soemtron.org

Pcb Dwg # =		Scale	Nts	Title	
Drawn	Name	Date	Sheet	Soemtron ETR 224 Calculator	
Checked	MD Hatch	7/5/2014	Next Sheet	Transcribed Misc Circuits	
			Drawing Number	Board 6/1, Wheel Position Count	
				Soemtron 224	A2 Issue A

© 2014 Mike Hatch. (www.soemtron.org)

RevNo	Revision note	Date	By	Checked
-	-	-	-	-



These diagrams are referenced to 0V - Logical 1 = -12v, logical 0 = 0V



© 2014 Mike Hatch. (www.soemtron.org)

DM Associates  
 33, Northbrook Road  
 Aldershot, Hampshire. GU11 3HE  
 Email: mike@soemtron.org  
 www.soemtron.org

Pcb Dwg # =		Scale	Nts	Title	
Drawn	Name	Date	Sheet	Soemtron ETR 224 Calculator	
Checked	MD Hatch	7/5/2014	Next Sheet	Transcribed Misc Circuits	
			Drawing Number	Board 6/2, Wheel Position Count	
				Soemtron 224	A2 Issue A