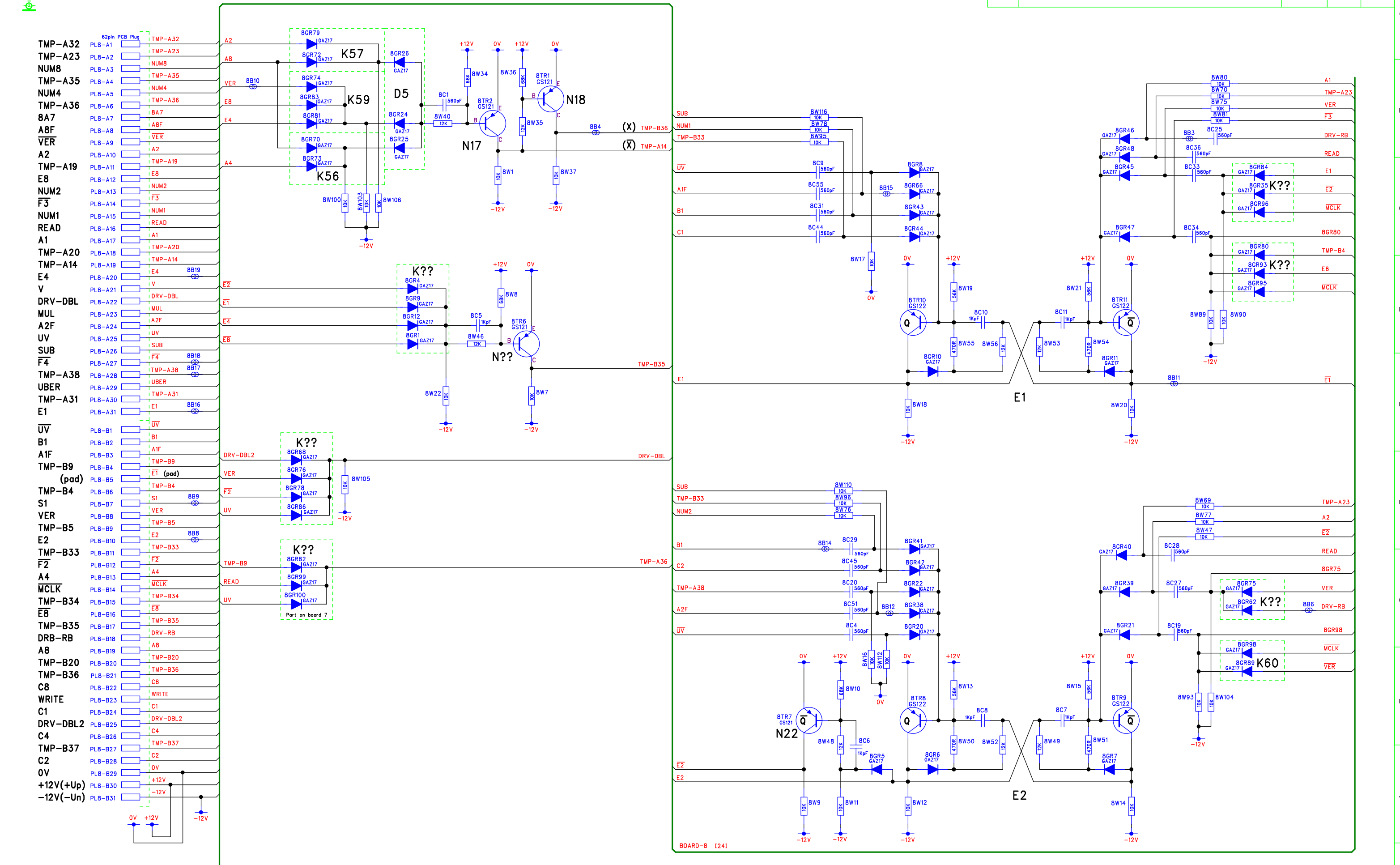
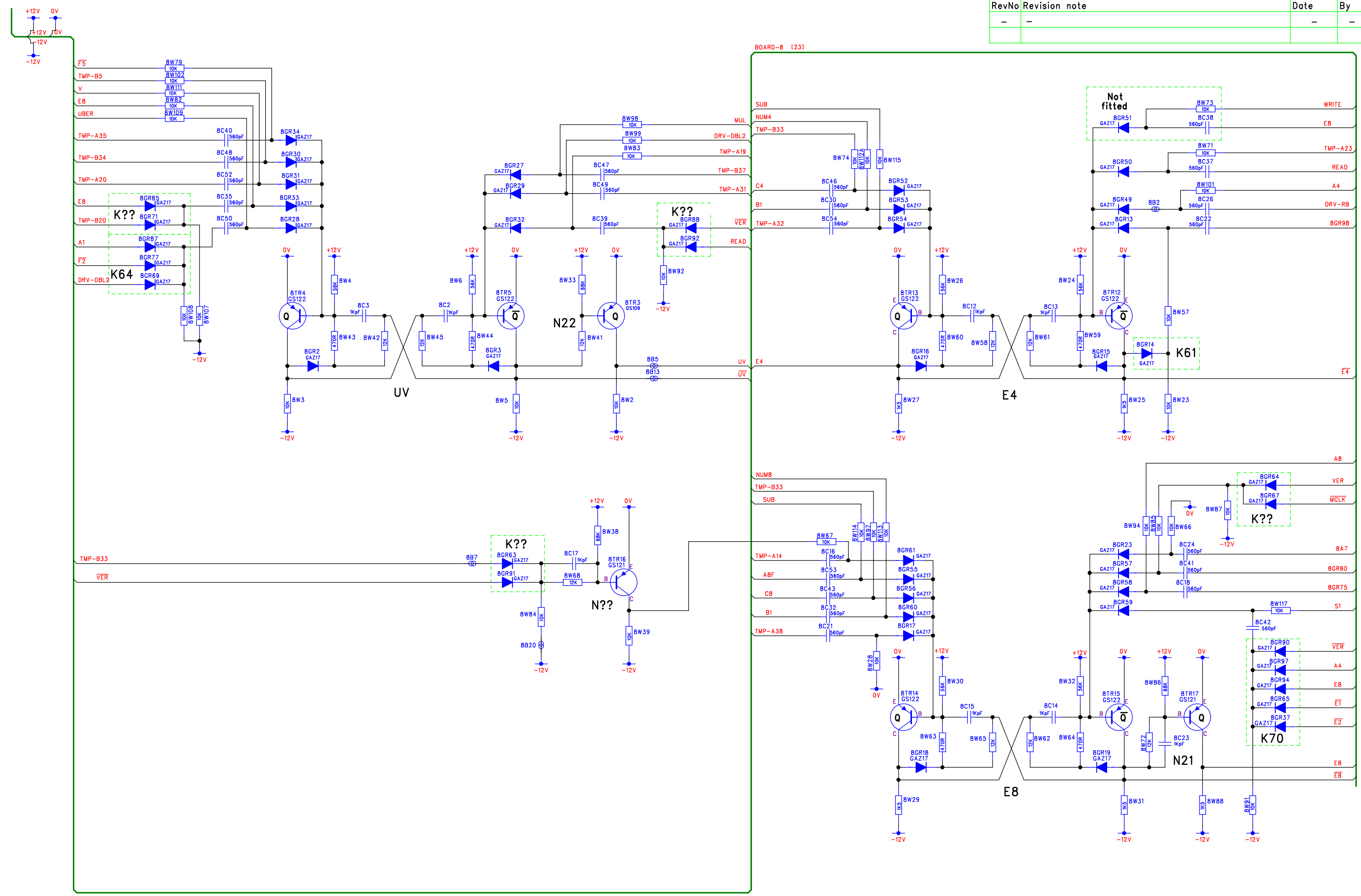


Comp side -
 Solder side - 224-307-008c 3952
 Date coded -

RevNo	Revision note	Date	By	Checked
-	-	-	-	-



RevNo	Revision note	Date	By	Checked
-	-	-	-	-



These diagrams are referenced to 0V - Logical 1 = -12v, logical 0 = 0V



DM Associates
 33, Northbrook Road
 Aldershot, Hampshire. GU11 3HE
 Email: mike@soemtron.org
 www.soemtron.org

Pcb Dwg # =

Drawn	Name	Date	Scale	Nts
Checked	MD Hatch	15/5/2014	Sheet	25
			Next Sheet	26
			Drawing Number	Soemtron 224

Title
Soemtron ETR 224 Calculator
Transcribed Misc Circuits
Board 8 - E Register

A2 Issue A

© 2014 Mike Hatch. (www.soemtron.org)