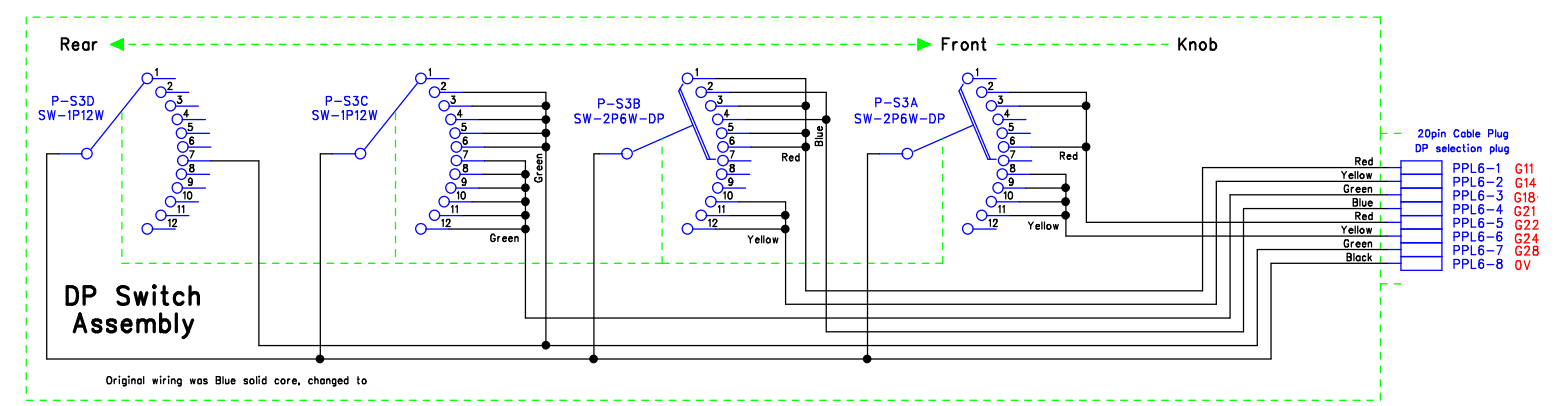
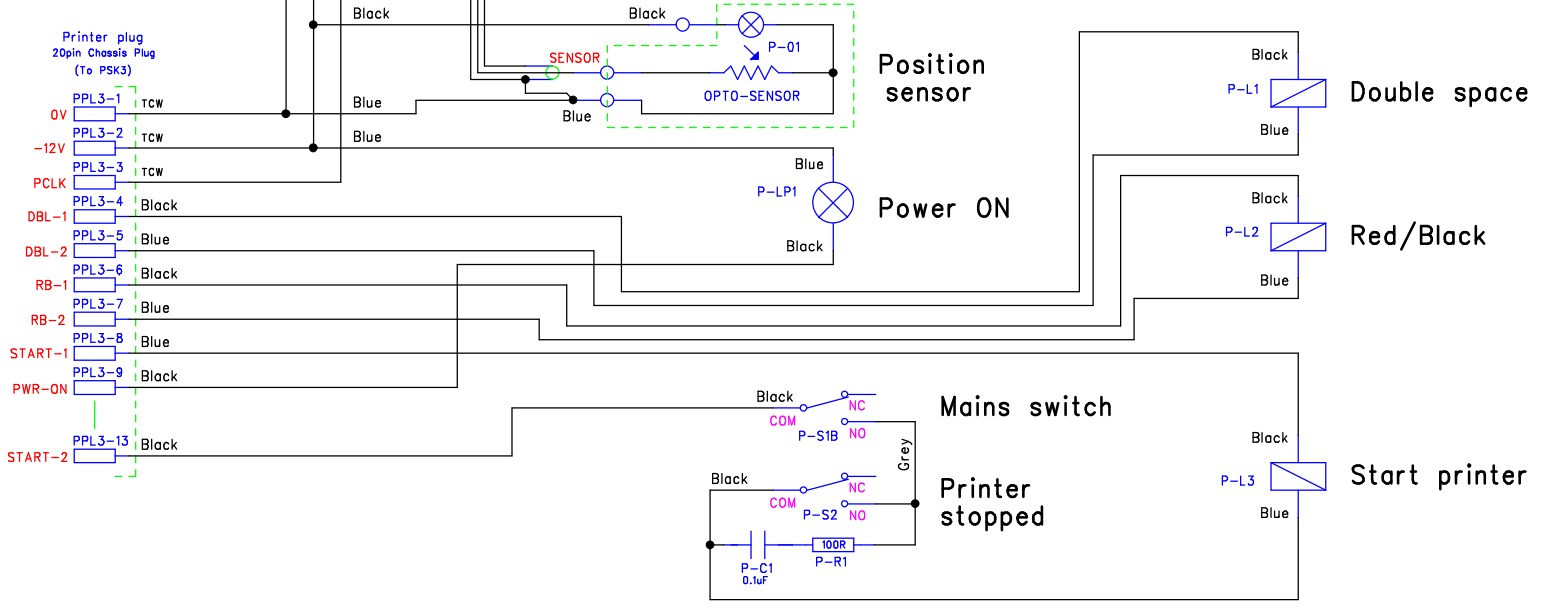
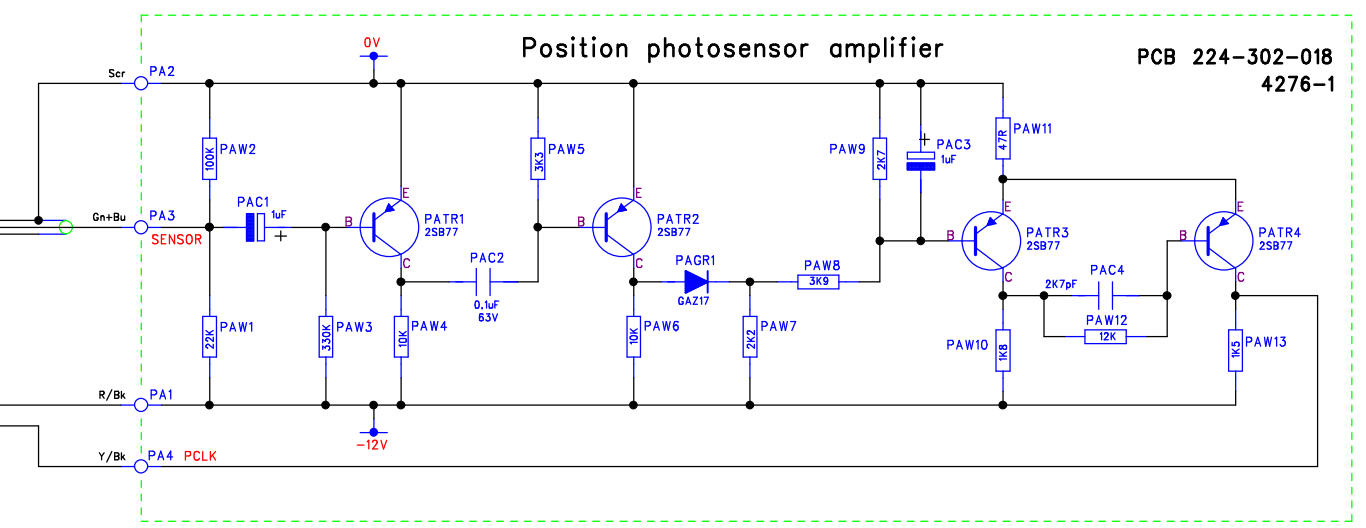
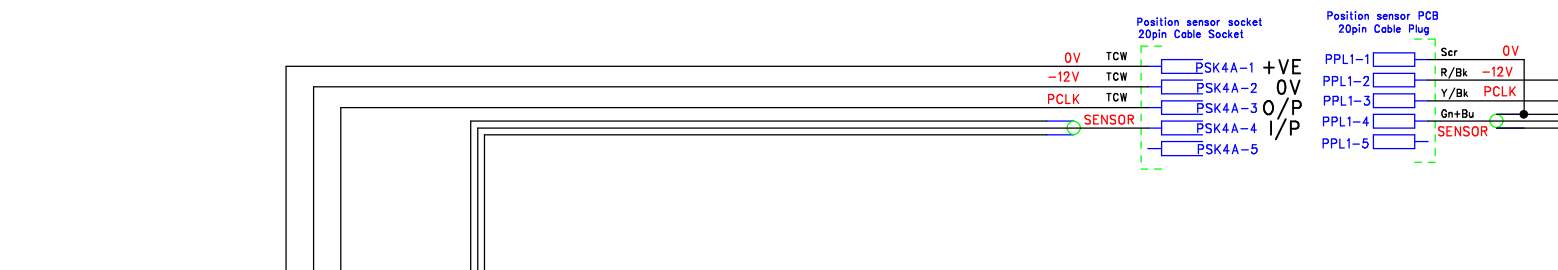
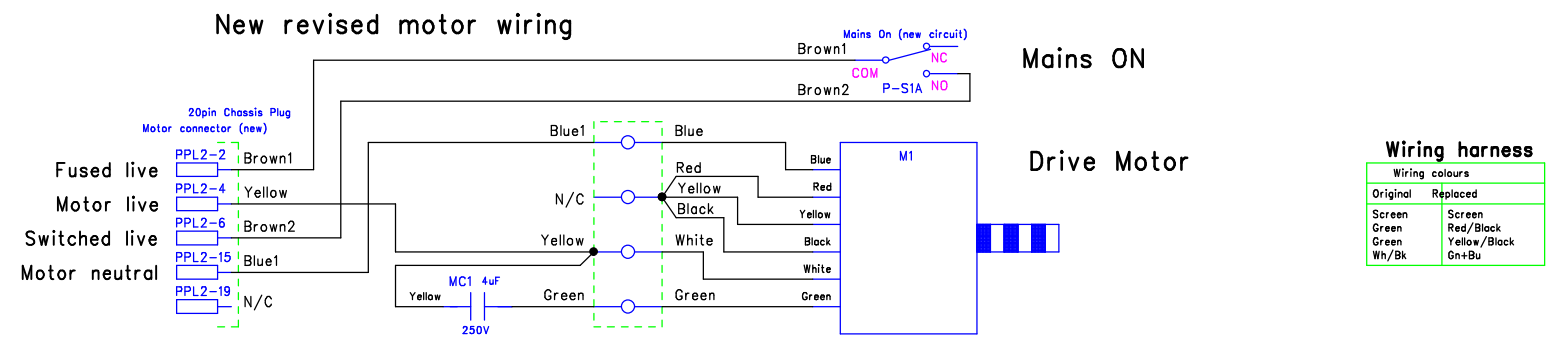
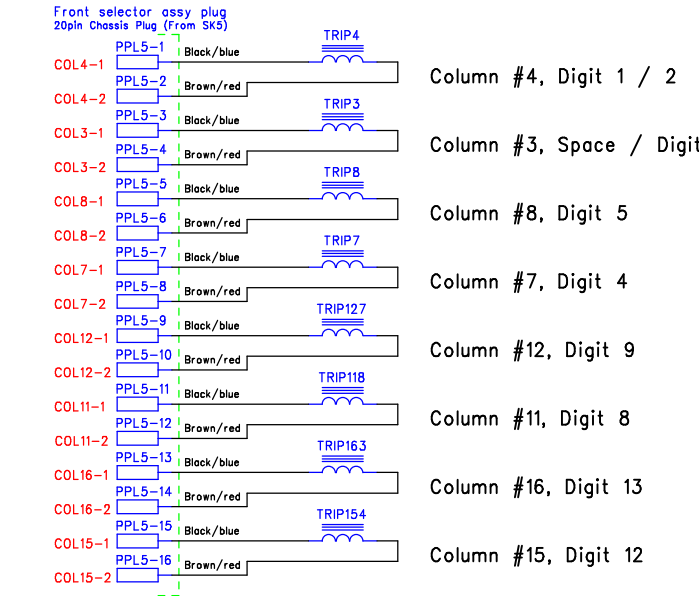
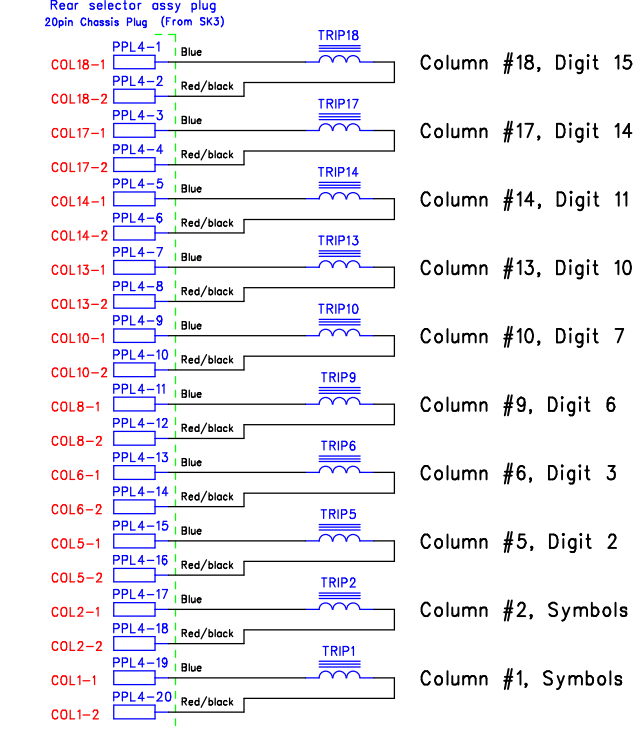


RevNo	Revision note	Date	By	Checked
-	-	-	-	-



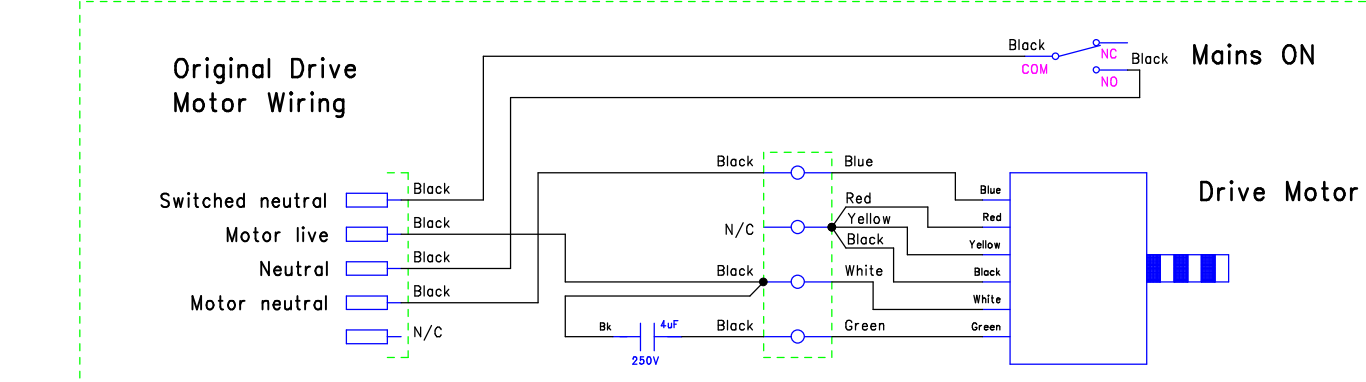
When viewed from the front, the far left column (#18) is always digit 15 of the result.  
 EG - 543210987654321xxx -- Integer results will be printed in columns #18 - #4.  
 EG - 54321.0987654321xx -- Fractional results will be printed in columns #18 - #3 where the fractional portion is shifted right by one column and a decimal point is inserted into the printed result.



Rear elector magnet assembly

Front selector magnet assembly

Print wheel numbering is - RIGHT to LEFT - when viewed from the - FRONT - of the mechanism



### Decimal Point Switch Wiring Table (X=0V)

Switch position	Pin	Function	0	1	2	3	4	6	8	9	10	11	12	14
S3B	PL3/1	G11	X		X	X	X	X	X	X	X	X	X	X
S3C	PL3/2	G14		X	X	X	X	X	X	X	X	X	X	X
S3B	PL3/3	G18			X	X	X	X	X	X	X	X	X	X
S3B	PL3/4	G21		X	X	X	X	X	X	X	X	X	X	X
S3A	PL3/5	G22		X	X	X	X	X	X	X	X	X	X	X
S3A	PL3/6	G24		X	X	X	X	X	X	X	X	X	X	X
S3D	PL3/7	G28		X	X	X	X	X	X	X	X	X	X	X

These diagrams are referenced to 0V - Logical 1 = -12v, logical 0 = 0V

DM Associates  
 33, Northbrook Road  
 Aldershot, Hampshire. GU11 3HE  
 Email: mike@soemtron.org  
 www.soemtron.org

Pcb Dwg # =	Name	Date	Scale	Nts	Title
	MD Hatch	19/4/2010	Sheet	1	Soemtron ETR 224 Calculator Printer Assembly Wiring Circuit Diagram
Drawn			Next Sheet	2	
Checked			Drawing Number		Soemtron 224 A2 Issue A