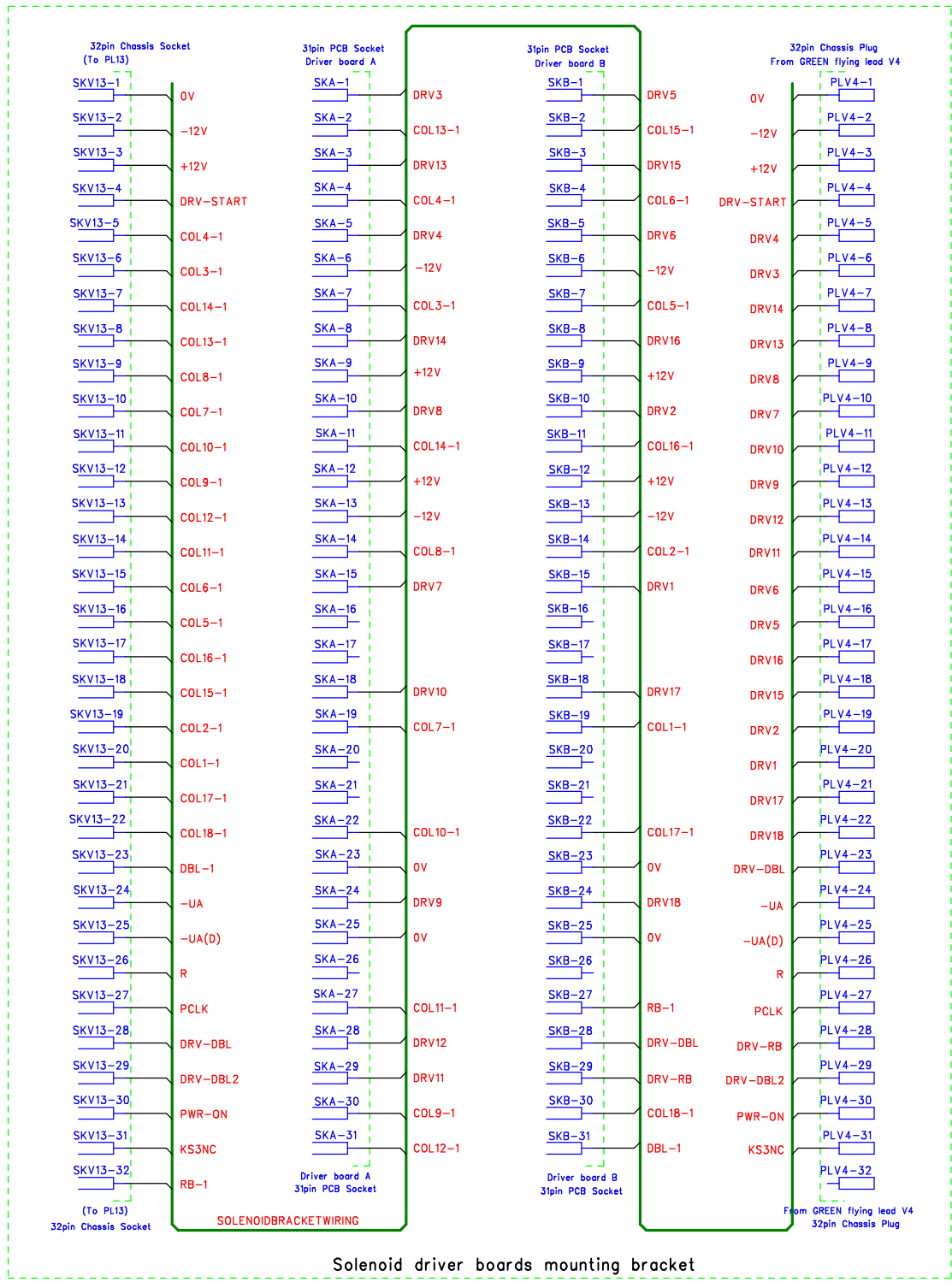


RevNo	Revision note	Date	By	Checked
-	-	-	-	-



These diagrams are referenced to 0V - Logical 1 = -12v, logical 0 = 0V



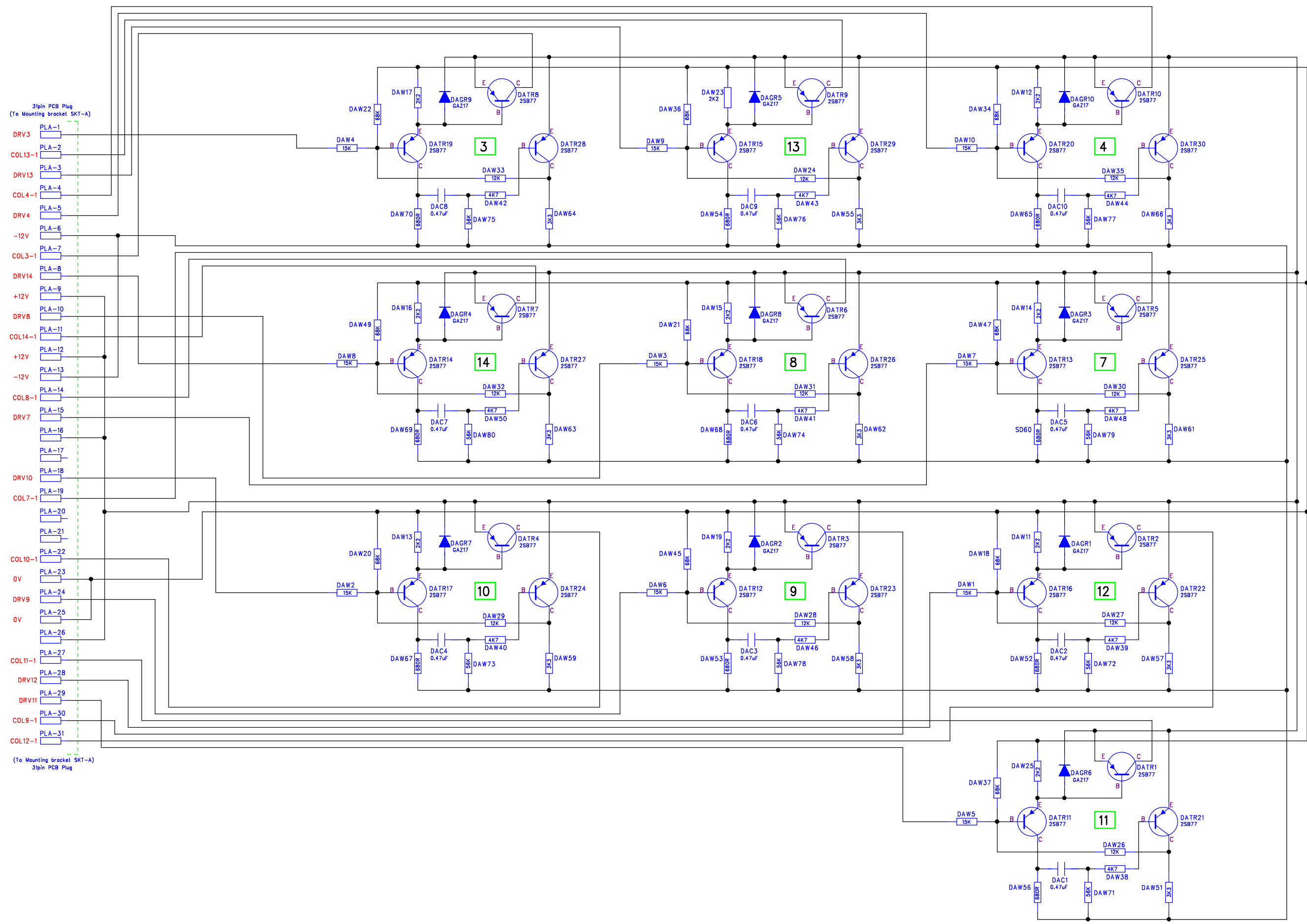
DM Associates
 33, Northbrook Road
 Aldershot, Hampshire. GU11 3HE
 Email: mike@soemtron.org
www.soemtron.org

Pcb Dwg # =	
Drawn	MD Hatch
Checked	-

Scale	Nts
Sheet	4
Next Sheet	5
Drawing Number	Soemtron 220

Title	Soemtron ETR 224 Calculator Solenoid Driver Bracket Wiring Circuit Diagram
A2 Issue	A

RevNo	Revision note	Date	By	Checked
-	-	-	-	-



These diagrams are referenced to 0V - Logical 1 = -12v, logical 0 = 0V

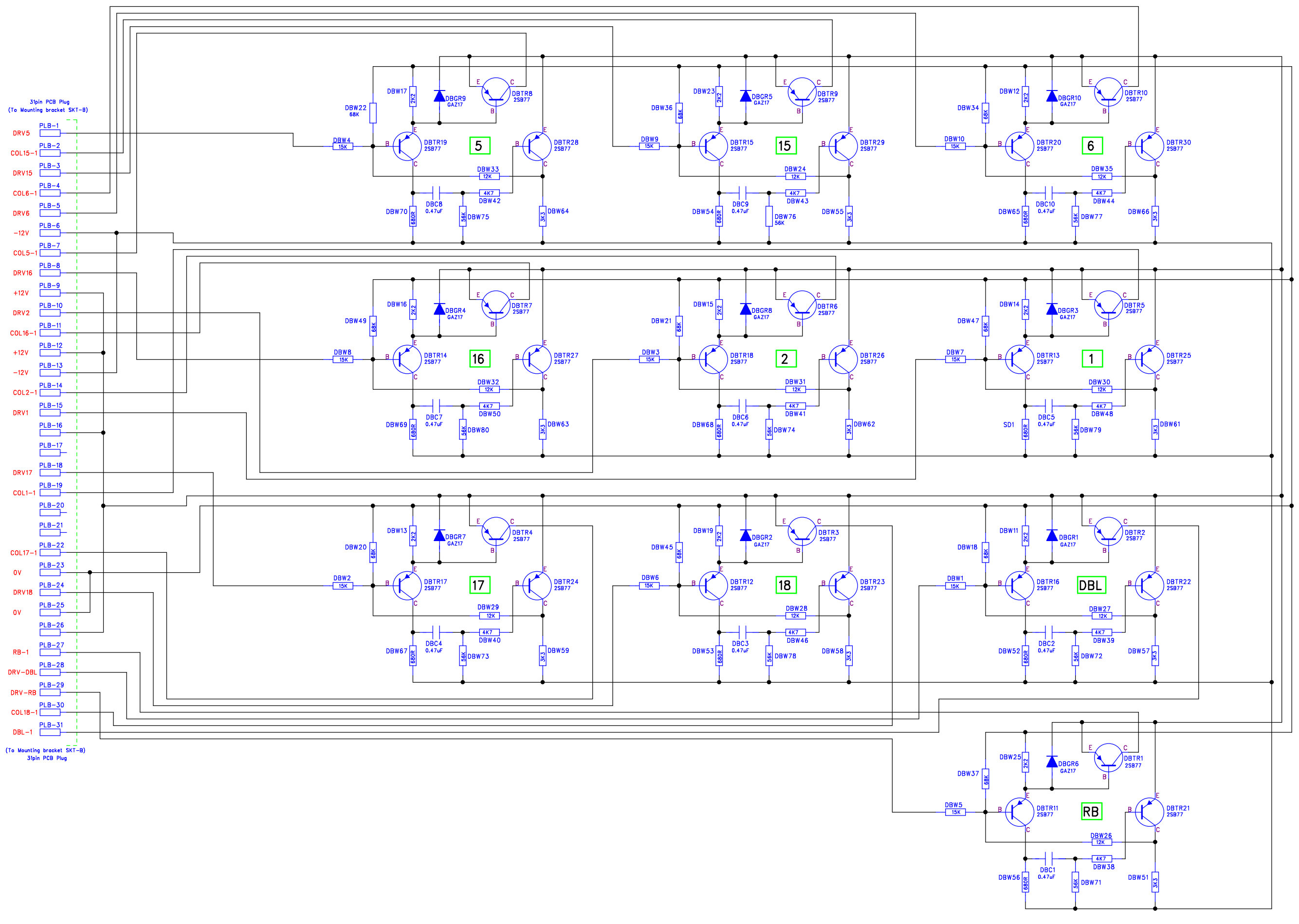


DM Associates
 33, Northbrook Road
 Aldershot, Hampshire. GU11 3HE
 Email: mike@soemtron.org
 www.soemtron.org

© 2010 Mike Hatch. (www.soemtron.org)

Pcb Dwg # =		Scale	Nts	Title	
Drawn	Name	Date	Sheet	Soemtron ETR 224 Calculator	
Checked	MD Hatch	22/1/2010	5	Solenoid Driver Boards	
			Next Sheet	Circuit Diagram Board A	
			Drawing Number	Soemtron 224	A2 Issue A

RevNo	Revision note	Date	By	Checked
-	-	-	-	-



These diagrams are referenced to 0V - Logical 1 = -12v, logical 0 = 0V



DM Associates
 33, Northbrook Road
 Aldershot, Hampshire. GU11 3HE
 Email: mike@soemtron.org
 www.soemtron.org

Pcb Dwg # =		Scale	Nts	Title Soemtron ETR 224 Calculator Solenoid Driver Boards Circuit Diagram Board B
Drawn	Name MD Hatch	Date 22/1/2010	Sheet 6	
Checked			Next Sheet 7	Drawing Number Soemtron 220

© 2011 Mike Hatch. (www.soemtron.org)