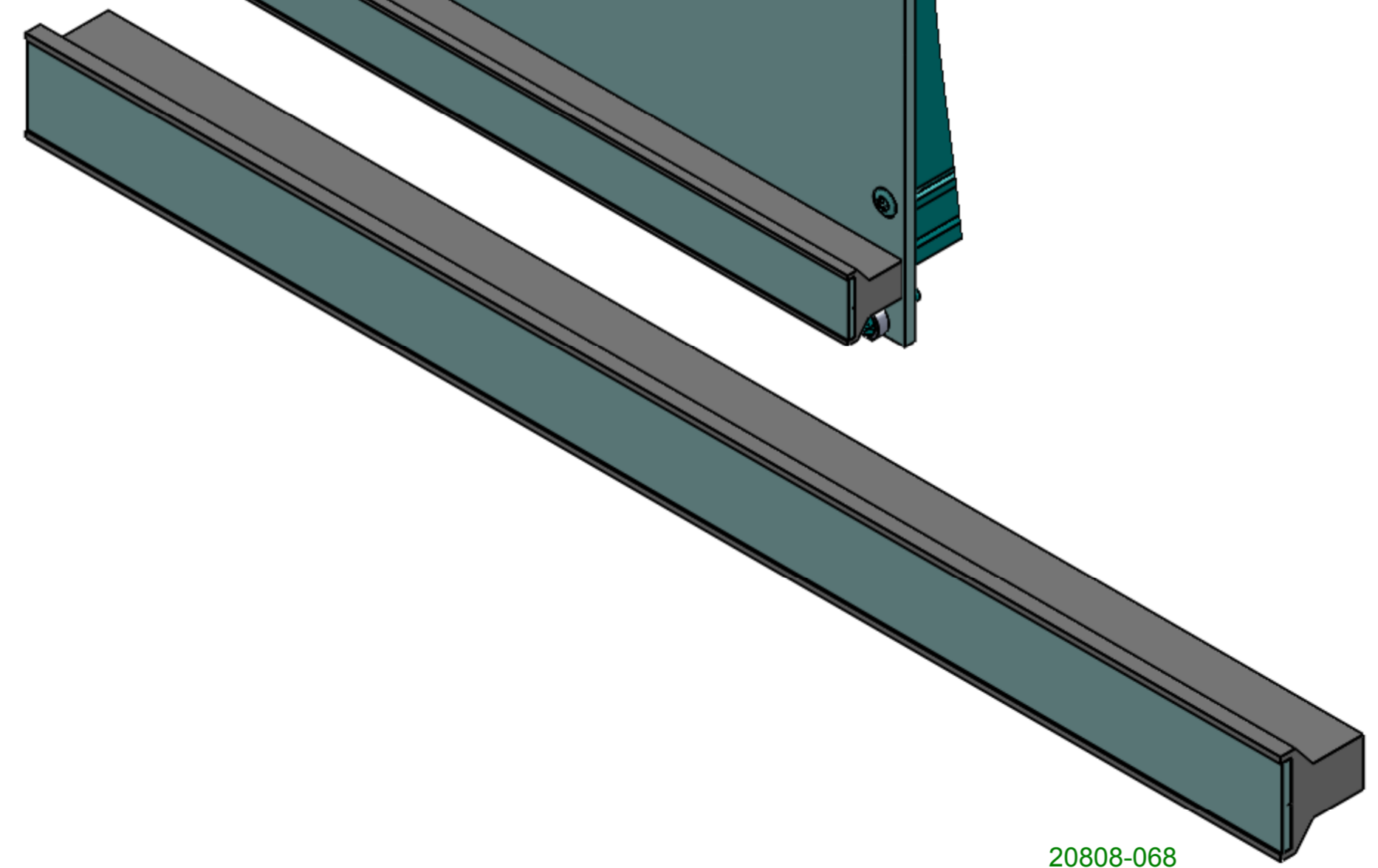
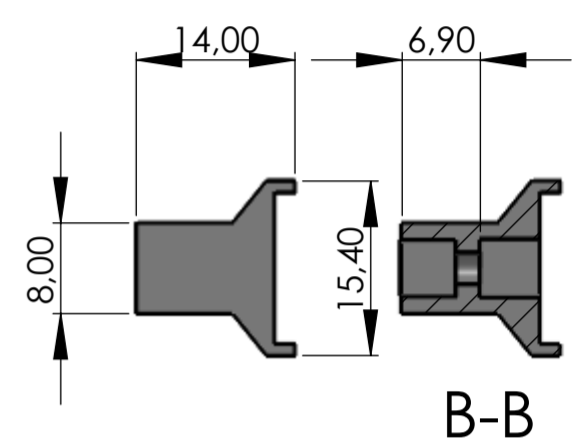
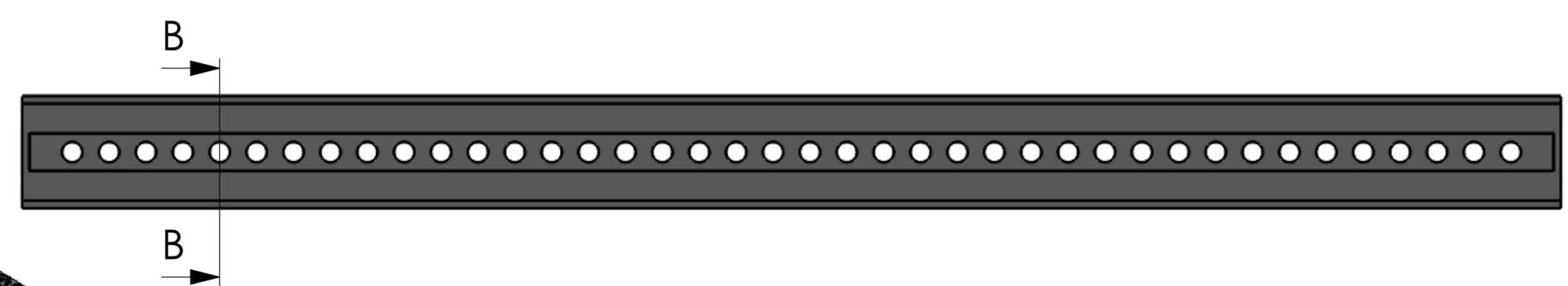
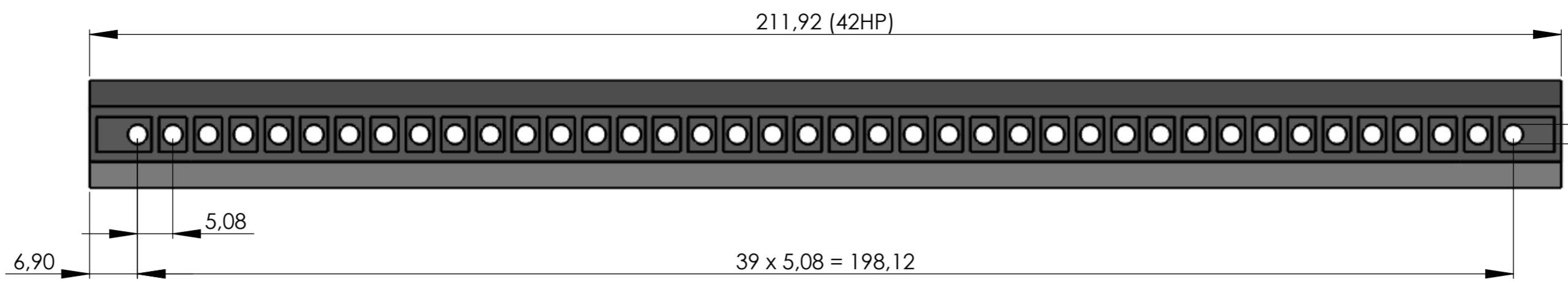
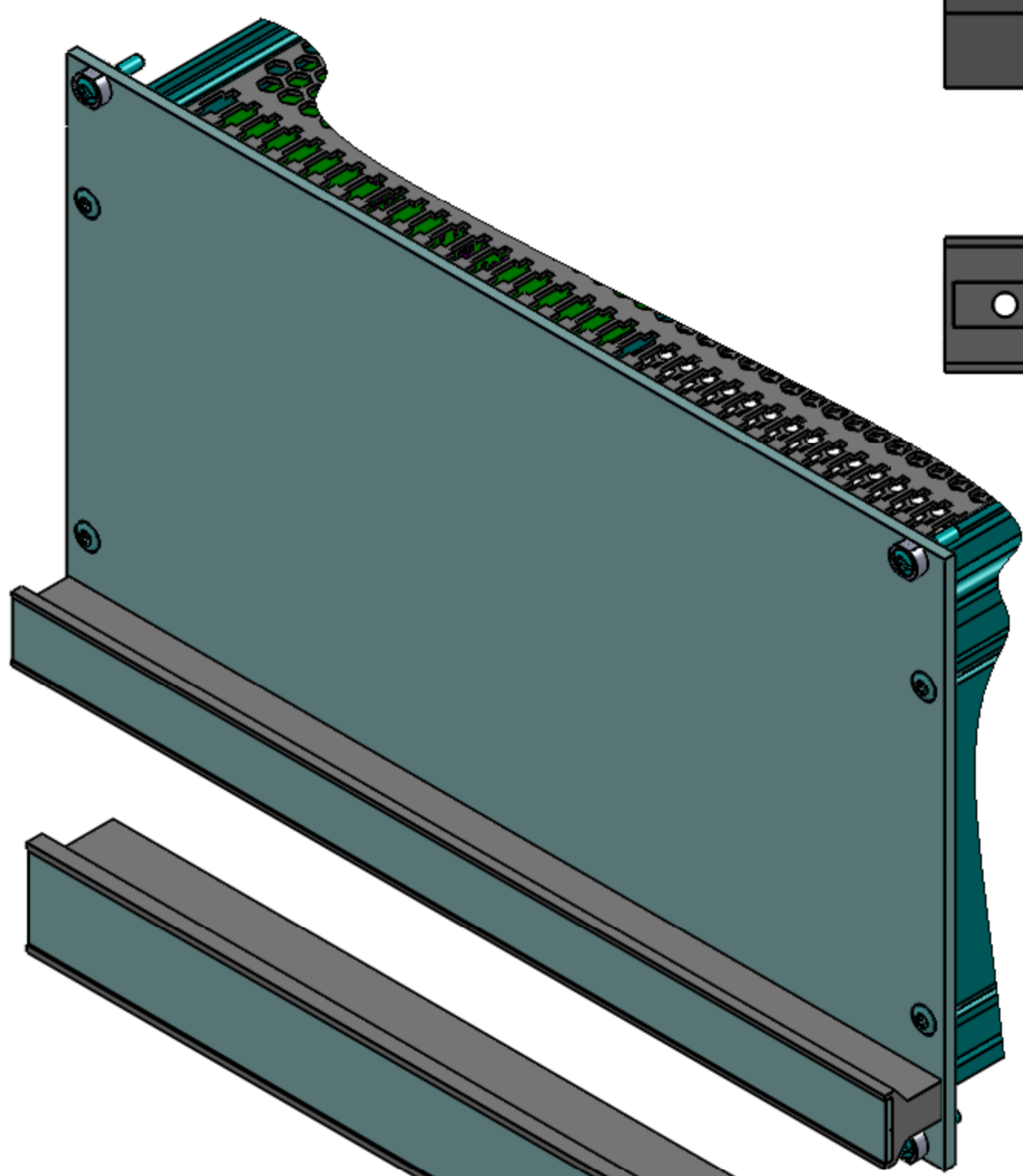


The reproduction, distribution and utilization of this document as well as the communication of its contents to others without express authorization is prohibited. Offenders will be held liable for the payment of damages. All rights reserved in the event of the grant of a patent, utility model or design.

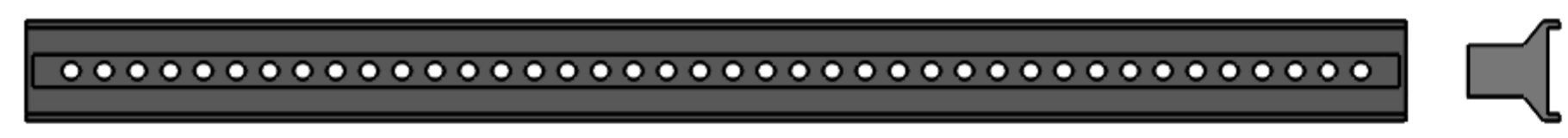
Typical application case



20808-068



1:1



1:1

Maßstab: Scale:	1:5:1	
Zeichnungs Nr.: / Drawing No.:	60807-117	
Schroff GmbH Deutschland Langenlber Str. 96-100, 75334 Straubenhardt		size A4