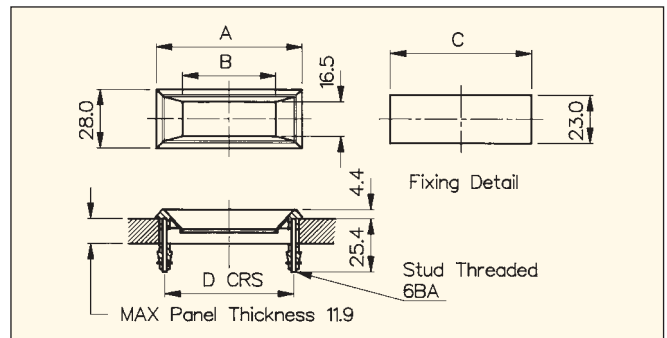


List No.	A	B	C	D	E	F	G	H	J
SA2582/4/Col	68.8	55.0	25.4	12.0	66.17	12.70	4.4	25.8	61.4
SA2582/6/Col	94.2	81.0			91.57				86.8
SA2604/4/Col	68.8	53.6	29.8	16.4	66.17	16.76	6.4	24.7	61.4
SA2604/6/NE	94.2	79.0			91.57				86.8
SA2604/8/Col	119.6	104.4			117.20				112.4
SA2574/4/Col	122.0	96.5	58.5	33.0	117.60	42.42	6.4	24.7	109.2
SA2574/6/Col	168.0	142.2			163.32				154.9



List No.	A	B	C	D
SA2612/4	69.5	44.5	67.51	62.5
SA2612/6	87.5	62.2	85.24	80.2
SA2612/8	111.5	86.2	104.25	104.2

Data	List No.	SA2582/4 & 6/Col., SA2604/4/Col, /6/NE & 8/Col., SA2574/4 & /6/Col.	SA2612/4, /6 & /8
Materials:			
Bezel & Clamps:		Glass Filled Nylon.	Glass Filled Nylon.
Metal Parts:		Brass, Nickel Plated.	Brass, Nickel Plated.
Screen:		C.A.B. Laminate.	No screen fitted.
Screen Colours:		Add /RD (Red), /NE (Neutral) to List No.	No screen fitted.