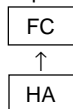


Surface Mount Type

Series: FC Type : V

- Features Endurance : 105°C 1000 h
Low impedance (1/2 for HA series)
5.5 mm height Max.(≤φ6.3)

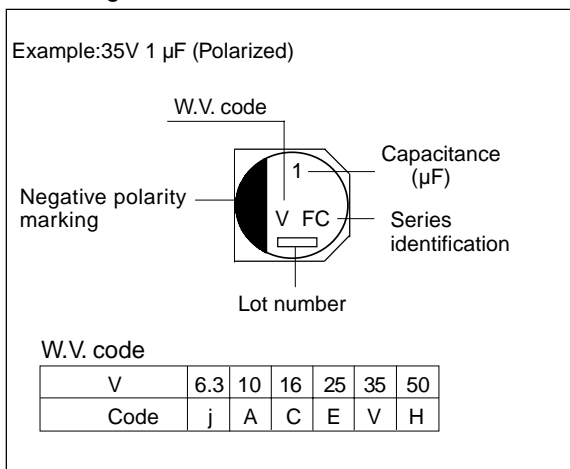
Low impedance



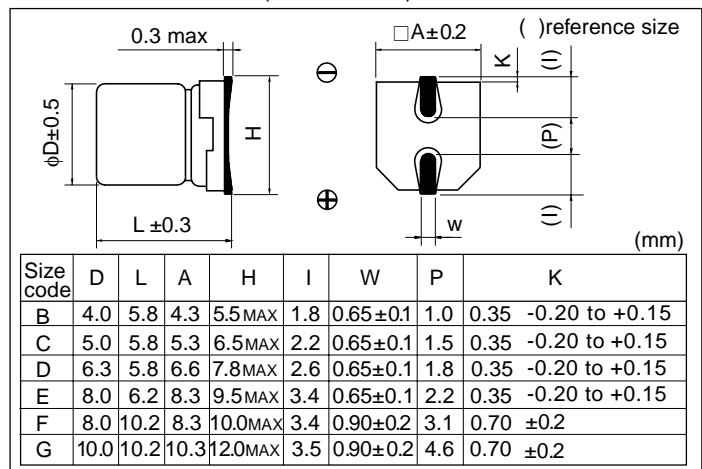
■ Specifications

Category temp. range	-40 to +105°C							
Rated W.V. Range	6.3 to 50 V .DC							
Nominal Cap. Range	1 to 1500 μ F							
Capacitance Tolerance	±20 % (120Hz/+20°C)							
DC Leakage Current	I ≤ 0.01 CV or 3(μ A) after 2 minutes (Whichever, greater)							
Dissipation Factor	Please see the attached standard products list							
Characteristics at Low Temperature	W.V. (V)	6.3	10	16	25	35	50	(Impedance ratio at 120 Hz)
	-25 / +20 °C	2	2	2	2	2	2	
	-40 / +20 °C	3	3	3	3	3	3	
Endurance	After applying rated working voltage for 1000 hours at +105±2°C and then being stabilized at +20°C, capacitors shall meet the following limits.							
	Capacitance change	±20% of initial measured value						
	D.F.	≤ 200 % of initial specified value						
	DC leakage current	≤ initial specified value						
Shelf Life	After storage for 1000 hours at +105±2°C with no voltage applied and then being stabilized at +20°C, capacitors shall meet the limits specified in "Endurance".(With voltage treatment)							
	After reflow soldering (Refer to page 20 for recommendable temperature profile.) and then being stabilized at +20°C, capacitor shall meet the following limits.							
Resistance to Soldering Heat	Capacitance change	±10% of initial measured value						
	D.F.	≤ initial specified value						
	DC leakage current	≤ initial specified value						

■ Marking



■ Dimensions in mm (not to scale)



■ Case size

Cap.(μF)	W.V.(V)	6.3 (0J)	10 (1A)	16 (1C)	25 (1E)	35 (1V)	50(1H)
1 to 3.3						B	B
4.7						B	C
6.8					B	C	
10				B		C	D
22	B		C		D	D	E
33		C			D	E	F
47	C			D	E	E	G
68	D			E	F		
100	D	E	E		F	G	G
150		E					
220	E	F	G	G	G	G	G
330	F		G	G	G	G	
470		G	G	G			
680			G				
1000	G	G					
1500	G						

■ Impedance (Ω) (100kHz/+20°C) (6.3 to 35W.V)

Size Code	B	C	D	E	F	G
Impedance	3.0	1.8	1.0	0.4	0.3	0.15

(50W.V)

Size Code	B	C	D	E	F	G
Impedance	5.0	3.0	2.0	0.7	0.6	0.3

■ Standard Products

W.V. (V)	Cap. (±20%) (µF)	Case size			Specification		Part No.	Min. Packaging Q'ty
		Dia. (mm)	Length (mm)	Size Code	Ripple current (100kHz) (+105°C) (mA)	Impe- dance (100kHz) (+20°C) (Ω)		Taping (pcs)
6.3	22	4	5.4	B	60	3.00	EEVFC0J220R	2000
	47	5	5.4	C	95	1.80	EEVFC0J470R	1000
	68	6.3	5.4	D	140	1.00	EEVFC0J680P	1000
	100	6.3	5.4	D	140	1.00	EEVFC0J101P	1000
	220	8	6.2	E	230	0.40	EEVFC0J221P	1000
	330	8	10.2	F	450	0.30	EEVFC0J331P	500
	1000	10	10.2	G	670	0.15	EEVFC0J102P	500
	1500	10	10.2	G	670	0.15	EEVFC0J152P	500
10	33	5	5.4	C	95	1.80	EEVFC1A330R	1000
	100	8	6.2	E	230	0.40	EEVFC1A101P	1000
	150	8	6.2	E	230	0.40	EEVFC1A151P	1000
	220	8	10.2	F	450	0.30	EEVFC1A221P	500
	470	10	10.2	G	670	0.15	EEVFC1A471P	500
	1000	10	10.2	G	670	0.15	EEVFC1A102P	500
16	10	4	5.4	B	60	3.00	EEVFC1C100R	2000
	22	5	5.4	C	95	1.80	EEVFC1C220R	1000
	47	6.3	5.4	D	140	1.00	EEVFC1C470P	1000
	68	8	6.2	E	230	0.40	EEVFC1C680P	1000
	100	8	6.2	E	230	0.40	EEVFC1C101P	1000
	220	10	10.2	G	670	0.15	EEVFC1C221P	500
	330	10	10.2	G	670	0.15	EEVFC1C331P	500
	470	10	10.2	G	670	0.15	EEVFC1C471P	500
25	6.8	4	5.4	B	60	3.00	EEVFC1E6R8R	2000
	22	6.3	5.4	D	140	1.00	EEVFC1E220P	1000
	33	6.3	5.4	D	140	1.00	EEVFC1E330P	1000
	47	8	6.2	E	230	0.40	EEVFC1E470P	1000
	68	8	10.2	F	450	0.30	EEVFC1E680P	500
	100	8	10.2	F	450	0.30	EEVFC1E101P	500
	220	10	10.2	G	670	0.15	EEVFC1E221P	500
	330	10	10.2	G	670	0.15	EEVFC1E331P	500
35	470	10	10.2	G	670	0.15	EEVFC1E471P	500
	1	4	5.4	B	60	3.00	EEVFC1V1R0R	2000
	2.2	4	5.4	B	60	3.00	EEVFC1V2R2R	2000
	3.3	4	5.4	B	60	3.00	EEVFC1V3R3R	2000
	4.7	4	5.4	B	60	3.00	EEVFC1V4R7R	2000
	6.8	5	5.4	C	95	1.80	EEVFC1V6R8R	1000
	10	5	5.4	C	95	1.80	EEVFC1V100R	1000
	22	6.3	5.4	D	140	1.00	EEVFC1V220P	1000
	33	8	6.2	E	230	0.40	EEVFC1V330P	1000
	47	8	6.2	E	230	0.40	EEVFC1V470P	1000
	100	10	10.2	G	670	0.15	EEVFC1V101P	500
220	10	10.2	G	670	0.15	EEVFC1V221P	500	

The taping dimension are explained on p.24 of our Catalog.
Please use it as a reference guide.
Endurance : 105°C 1000h

Design, Specifications are subject to change without notice. Ask factory for technical specifications before purchase and/or use.
Whenever a doubt about safety arises from this product, please inform us immediately for technical consultation without fail.

■ Standard Products

W.V. (V)	Cap. (±20%) (μF)	Case size			Specification		Part No.	Min. Packaging Q'ty
		Dia. (mm)	Length (mm)	Size Code	Ripple current (100kHz) (+105°C) (mA)	Impe- dance (100kHz) (+20°C) (Ω)		Taping (pcs)
35	330	10	10.2	G	670	0.15	EEVFC1V331P	500
50	1	4	5.4	B	30	5.00	EEVFC1H1R0R	2000
	2.2	4	5.4	B	30	5.00	EEVFC1H2R2R	2000
	3.3	4	5.4	B	30	5.00	EEVFC1H3R3R	2000
	4.7	5	5.4	C	50	3.00	EEVFC1H4R7R	1000
	10	6.3	5.4	D	70	2.00	EEVFC1H100P	1000
	22	8	6.2	E	120	0.70	EEVFC1H220P	1000
	33	8	10.2	F	300	0.60	EEVFC1H330P	500
	47	10	10.2	G	500	0.30	EEVFC1H470P	500
	100	10	10.2	G	500	0.30	EEVFC1H101P	500
	220	10	10.2	G	500	0.30	EEVFC1H221P	500

The taping dimension are explained on p.24 of our Catalog.
Please use it as a reference guide.
Endurance : 105°C 1000h