

Tolerance Unless
Otherwise Stated

0 Decimal Places = ±0.50
1 Decimal Places = ±0.25
2 Decimal Places = ±0.10

Angles =
±2 Deg.

No not use numeric issue
drawings for production

Material

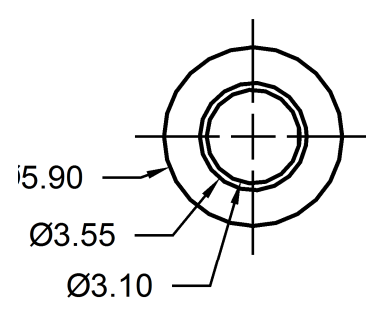
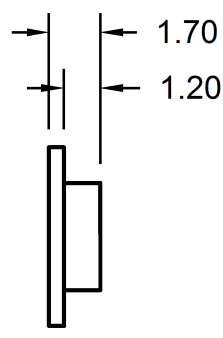
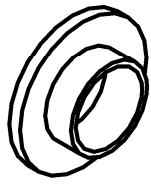
Black Nylon

RevNo	Revision note
A	Initial

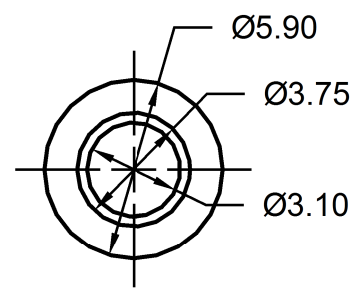
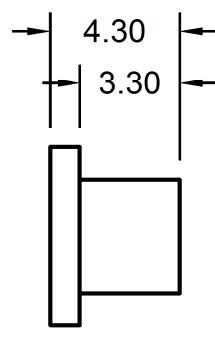
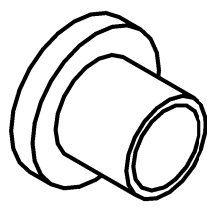
Date -	Drawn -	Checked -
4/12/2014	MDH	-

Finish
-

K1334



K2479



DO NOT MANUFACTURE FROM NUMERICAL ISSUE DRAWINGS

Issue -	A	Name	Date
Drawn by -		MD Hatch	4/12/2014
Checked by -		-	-

©2014 Soemtron.org

Dimensions in mm to BS8888, DO NOT SCALE

Soemtron.org
33, Northbrook Road,
Aldershot, Hants. GU11 3HE
Tel: 07979 460904 - mike@soemtron.org
www.soemtron.org

Scale -	Nts	Title Soemtron.org K1334 & K2479 TO220 Bushes Mechanical
Sheet -	1	
Next sheet -	-	
Drawing number -	K1334K2479	A4