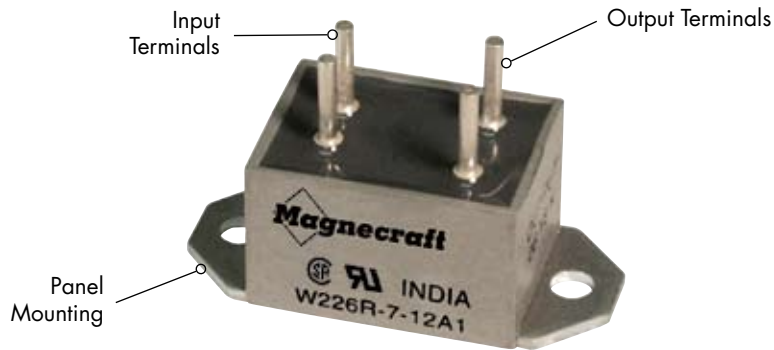


## W226 Series Miniature Relay/SPST-NO, 7 Amp Rating

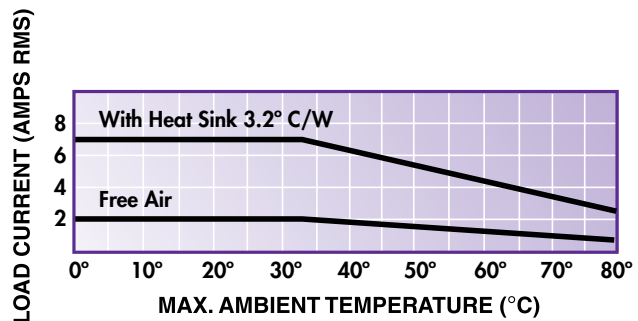


### General Specifications (@ 25° C) (UL 508)

Output Characteristics		Standard	Units	226RE-7	226RE-8
Number and type of Contacts				SPST-NO	SPST-NO
Switching Device				Triac	Triac
Current Rating			A	7	7
Switching voltage			V	140 AC	280 AC
Switching Type				Zero Cross	Zero Cross
Maximum Rate of Rise Off State Voltage (dv/dt)			V/us	100	100
Min. Load current to maintain on			mA	50	50
Non-Repetitive Surge Current (1 cycle)			A	50	50
Max. Off state leakage current (rms)			mA	0.1	1.0
Typical On State Voltage Drop (rms)			V	1.8 AC	3.6 AC
Minimum Peak Blocking Voltage			V	260 AC	380 AC
Input Characteristics					
Voltage Range			V	5   12	5   12
Must Release Voltage			V	1.5 DC	1.5 DC
Typical Input Current @ 5VDC or 240VAC			mA	10	10
Performance Characteristics					
Operating time (response time)	On		ms	10	10
	Off		ms	60	60
Dielectric strength	Terminals to Chassis		V	2500 AC	2500 AC
	Input to Output		V	2500 AC	2500 AC
Environment					
Product certifications	Standard version			UR, CSA	UR, CSA
Ambient air temperature around the device	Storage		°C	-40...+100	-40...+100
	Operation		°C	-30...+80	-30...+80
Miscellaneous Characteristics					
Thermal Resistance (Junction to Case)			°C/W	3	3
Weight			g (oz)	13 (0.5)	13 (0.5)
Mounting Screw Torque			Nm	1.0	1.0

	MOLEX	WINCHESTER
18-22 AWG	02-06-1103	156-10185
24-30 AWG	02-06-1132	156-10245

Push-On Terminal Receptacles





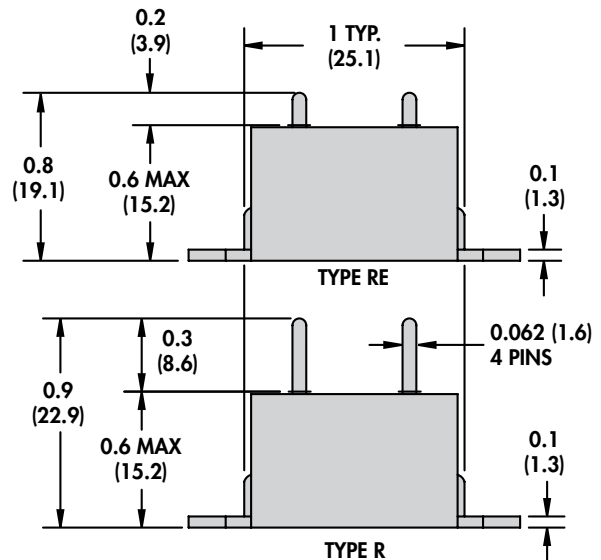
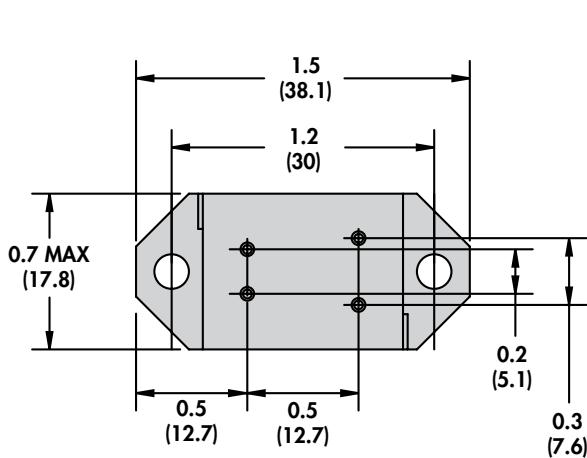
**Standard Part Numbers**

**BOLD-FACED PART NUMBERS ARE NORMALLY STOCKED**

DC Operated	Input Voltage Range	Output Voltage Range	Contact Configuration	Switching Type	Rated Current Load (Amps)
PUSH ON TERMINALS					
<b>226R-7-5A1</b>	5 VDC	140 VAC	SPST-NO	Zero Cross	7
<b>226R-7-12A1</b>	12 VDC	140 VAC	SPST-NO	Zero Cross	7
<b>226R-8-5A1</b>	5 VDC	280 VAC	SPST-NO	Zero Cross	7
226R-8-12A1	12 VDC	280 VAC	SPST-NO	Zero Cross	7
PCB TERMINALS					
<b>226RE-7-5A1</b>	5 VDC	140 VAC	SPST-NO	Zero Cross	7
<b>226RE-7-12A1</b>	12 VDC	140 VAC	SPST-NO	Zero Cross	7
<b>226RE-8-5A1</b>	5 VDC	280 VAC	SPST-NO	Zero Cross	7
226RE-8-12A1	12 VDC	280 VAC	SPST-NO	Zero Cross	7

**Part Number Builder**

Series	Terminal Style	-	Output Voltage	-	Input Voltage
226	R = PUSH ON TERMINALS RE = PCB TERMINALS		7 = 140 VAC 8 = 280 VAC		5A1 = 5 VDC 12A1 = 12 VDC



# Mouser Electronics

Authorized Distributor

Click to View Pricing, Inventory, Delivery & Lifecycle Information:

## Schneider Electric:

[W226R-8-12A1](#) [W226R-7-5A1](#) [W226RE-8-5A1](#) [W226R-8-5A1](#) [W226RE-7-5A1](#) [W226R-7-12A1](#) [W226RE-7-12A1](#)  
[W226RE-8-12A1](#)