

MAGNECRAFT Solid State Relays

a company of
Schneider
Electric



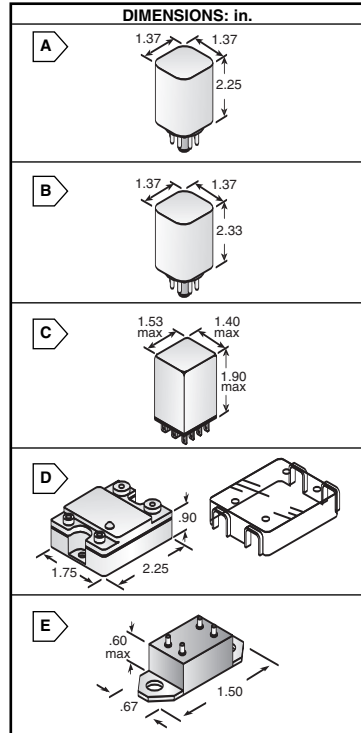
CLASS 750 OCTAL STYLE POWER RELAYS

Specifications:

- Contact resistance: 50mΩ max. @ 10A
- Contact material: silver cadmium oxide, gold flashed
- Dielectric strength: 1500 Vrms
- Coil power: 1.2W DC, 2 VA -2.75 (60Hz) AC. @ 25°C
- Class B insulation



MOUSER STOCK NO.	Magnecraft® Part No.	Fig.	Contact		Coil		Price Each			
			Form	Rating	Volts	Ω	1	10	25	50
8 Pin Version										
528-2503-8	750XBXC-24A	A1	DPDT	16A	24 VAC	72	9.24	8.60	8.18	7.75
528-2503-9	750XBXC-120A	A1	DPDT	16A	120 VAC	1700	9.22	8.58	8.16	7.73
528-2503-13	750XCXC-24A	A2	3PDT	16A	24 VAC	72	11.31	10.53	10.01	9.49
8 and 11 Pin Version										
528-2506-6	750XBXC-12D	A1	DPDT	16A	12 VDC	120	8.99	8.35	7.93	7.50
528-2506-7	750XBXC-24D	A1	DPDT	16A	24 VDC	470	8.99	8.35	7.93	7.50
528-2506-10	750XCXC-12D	A2	3PDT	16A	12 VDC	120	11.04	10.26	9.74	9.22
Sockets for Class 750 Relays										
528-464	70-464-1	----	8 Pin Octal DIN/Panel mount with screw terminals				1.87	1.73	1.64	1.55
528-465	70-465-1	----	11 Pin Octal DIN/Panel mount with screw terminals				2.76	2.56	2.43	2.30



CLASS 250ML OCTAL BASE MAGNETIC LATCHING RELAYS

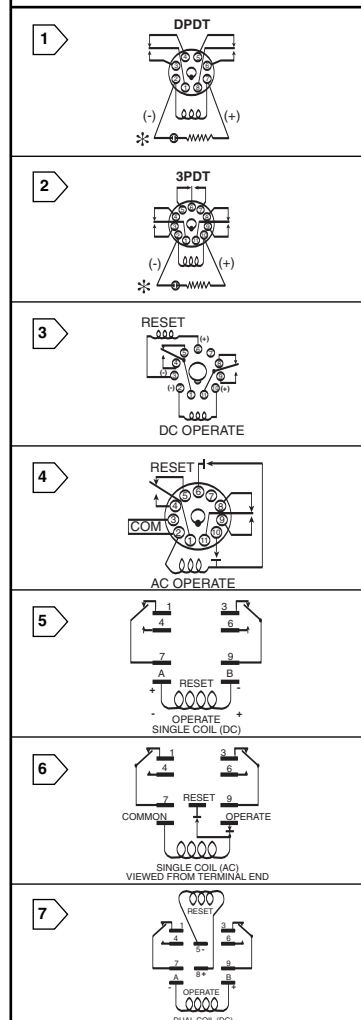
Specifications:

- Contact resistance: 50mΩ maximum initial at rated current
- Contact material: 0.187 silver cadmium oxide, gold flashed
- Dielectric strength: 1500 Vrms
- Coil power: 1.64 watts DC, 2.0 VA(60 Hz) AC @ 25°C
- Class B insulation



MOUSER STOCK NO.	Magnecraft® Part No.	Fig.	Contact		Coil		Price Each			
			Form	Rating	Volts	Ω	1	10	25	50
528-2507-7	750XBXC-24D	B3	DPDT	16A	24 VDC	350/350	16.64	15.39	14.56	13.73
528-2505-8	755XBXC-24A	B4	DPDT	16A	24 VAC	740	16.24	15.02	14.21	13.40
528-2505-9	755XBXC-120A	B4	DPDT	16A	120 VAC	10,000	16.24	15.02	14.21	13.40
Sockets for Class 250ML Relays										
528-464	70-464-1	----	8 Pin Octal DIN/Panel mount with screw terminals				1.87	1.73	1.64	1.55
528-465	70-465-1	----	11 Pin Octal DIN/Panel mount with screw terminals				2.76	2.56	2.43	2.30

TERMINAL ARRANGEMENT



CLASS 388ML SQUARE BASE MAGNETIC LATCHING RELAYS

Specifications:

- Contact resistance: 50mΩ maximum initial at rated current
- Contact material: silver cadmium oxide, gold flashed
- Dielectric strength: 1500 Vrms
- Coil power: 1.9 watts DC, 2.1 VA(60 Hz) AC @ 25°C
- Class B insulation



MOUSER STOCK NO.	Magnecraft® Part No.	Fig.	Contact		Coil		Price Each			
			Form	Rating	Volts	Ω	1	10	25	50
Single Coil Latching										
528-38820-6	W388MLCPX-6	C5	DPDT	10A	12 VDC	120	18.94	17.52	16.57	15.63
528-38820-7	W388MLCPX-7	C5	DPDT	10A	24 VDC	470	18.94	17.52	16.57	15.63
528-38830-9	W388AMLCPX-9	C6	DPDT	10A	120 VAC	10,000	18.94	17.52	16.57	15.63
Dual Coil Latching										
528-388220-6	W388ML2CPX-6	C7	DPDT	10A	12 VDC	88/88	18.94	17.52	16.57	15.63
528-388220-7	W388ML2CPX-7	C7	DPDT	10A	24 VDC	350/350	18.94	17.52	16.57	15.63
Sockets and Hold Down Clip for Class 388ML Relays										
528-1241	70-124-1	----	11 Pin Solder terminals with mounting tabs				1.18	1.10	1.04	.99
528-1242	70-124-2	----	11 Pin QC terminals with mounting tabs				1.18	1.10	1.04	.99
528-1781	70-178-1	----	11 Pin PC terminals with mounting tabs				1.14	1.06	1.00	.95
528-1782	70-178-2	----	11 Pin PC terminals without mounting tabs				1.14	1.06	.96	.91
528-4631	70-463-1	----	11 Pin DIN/Panel mount with screw terminals				3.20	2.95	2.80	2.64
528-16-1278	16-1278	----	Hold down clip				.56	.52	.49	.46

CLASS 6 SOLID STATE RELAYS WITH LED LAMP INDICATOR

Specifications:

- AC/DC Input
- Photo isolated, zero voltage switching
- LED Lamp Safety Cover
- Dielectric strength: 4000 Vrms
- AC Output
- Safety cover standard



MOUSER STOCK NO.	Magnecraft® Part No.	Fig.	Input	Load Voltage	Current Rating (RMS)	Price Each				
						1	10	25	50	
AC Controlled Input										
528-6210AS1	W6210ASX-1	D	90-280 VAC	40-280 VAC	10AMP	25.60	23.60	22.45	21.30	
528-6225AS1	W6225ASX-1	D	90-280 VAC	40-280 VAC	25AMP	33.50	30.82	29.28	27.74	
528-6240AS1	W6240ASX-1	D	90-280 VAC	40-280 VAC	40AMP	38.64	36.80	34.96	33.12	
528-6250AS1	W6250ASX-1	D	90-280 VAC	40-280 VAC	50AMP	41.26	38.17	36.10	34.04	
DC Controlled Input										
528-6210DS1	W6210DSX-1	D	3-32 VDC	40-280 VAC	10AMP	22.75	21.10	19.99	18.90	
528-6225DS1	W6225DSX-1	D	3-32 VDC	40-280 VAC	25AMP	26.76	24.75	23.42	22.08	
528-6240DS1	W6240DSX-1	D	3-32 VDC	40-280 VAC	40AMP	38.64	36.80	34.96	33.12	
528-6275DS1	W6275DSX-1	D	3-32 VDC	40-280 VAC	75AMP	67.62	64.40	61.18	57.96	

CLASS 226 MINIATURE SOLID STATE RELAYS

Specifications:

- Contact arrangement: SPST-NO
- Load current range: 50mA to 7A
- Dielectric strength: 2500 Vrms



MOUSER STOCK NO.	Magnecraft® Part No.	Fig.	Input	Load Voltage	Max. Output Current	Price Each				
						1	10	25	50	
PC Terminals										
528-226RE75	W226RE-7-5A1	E	5 VDC	140 VAC	7AMP	21.50	19.78	18.79	17.80	
528-226RE85	W226RE-8-5A1	E	5 VDC	280 VAC	7AMP	21.50	19.78	18.79	17.80	
Push on Terminals										
528-226R75	W226R-7-5A1	E	5 VDC	140 VAC	7AMP	21.50	19.78	18.79	17.80	
528-226R712	W226R-7-12A1	E	12 VDC	140 VAC	7AMP	21.50	19.78	18.79	17.80	
528-226R85	W226R-8-5A1	E	5 VDC	280 VAC	7AMP	21.50	19.78	18.79	17.80	
528-226R812	W226R-8-12A1	E	12 VDC	280 VAC	7AMP	21.50	19.78	18.79	17.80	

