



Accessibility


[english](#) | [italiano](#) | [deutsch](#) | [français](#) | [español](#) | [português](#) | [中文](#) | [РУССКИЙ](#)
[Home](#) | [Company](#) | [Products](#) | [Service](#) | [Contacts](#) | **Search**
e-mail password Accept the terms of use.

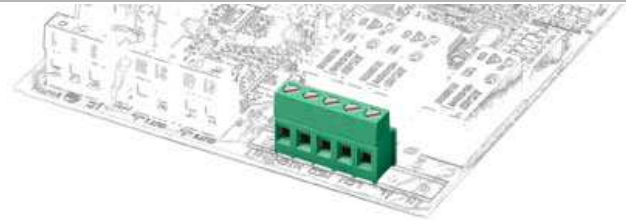
Enter

[Sign in](#) [Password mailing](#)**specific product search**
 -
SEARCH

Select the characteristics of the product you are looking for, then click **SEARCH**

category: line: pitch: poles: mounting: voltage: Vcurrent: Awire section: **SEARCH****MSM__001**

medium terminal block
Without Marking
Straight
pitch 5.00 mm - 0.197 in

**GENERAL INFORMATION**

dimensional class :	medium
housing height :	15.20 mm - 0.598 in
housing depth :	9.00 mm - 0.354 in
pitch :	5.00 mm - 0.197 in
wire section :	0.05 ÷ 2.5 mm ² / 30 ÷ 12 AWG
clamp opening size :	2.30 mm x 2.5 mm (0.091 in x 0.098 in)

MECHANICAL CHARACTERISTICS

screw :	M3
recommended tightening torque :	0.50 Nm
highest tightening torque :	0.80 Nm
wire stripping length :	5.5 mm ÷ 6.5 mm
minimum PCB holes diametre :	1.4 mm
maximum PCB thickness :	2.8 mm

ELECTRICAL CHARACTERISTICS

maximum voltage :	300 V
maximum current :	24.0 A
contact resistance :	< 15 mOhm
insulation resistance :	> 10 ⁹ Ohm (500 V DC)

APPROVALS

UL	E 167473	300V - 17.5A - 30/12AWG
VDE	n.40022741	250V - 24A - T110 - 2,5mm ²
IMQ	EA022	250V - 24A - 2.5mm ² - T110
ESS	EA022	250V - 24A - 2.5mm ² - T110
CE	Self-Certification	

MATERIALS

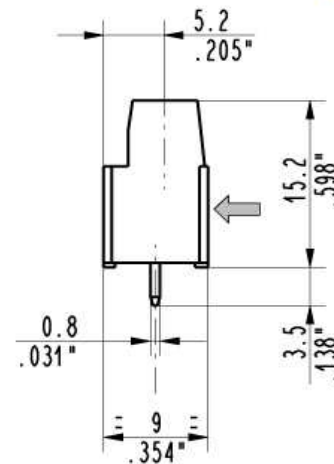
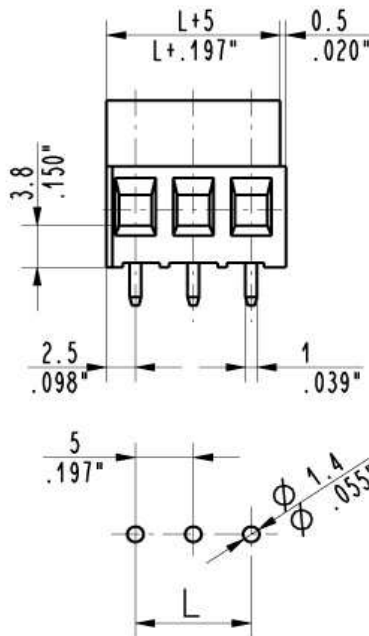
plastic housing :	PA6.6 V-0
screw :	brass
clamp :	brass
spring/pin :	brass

AVAILABLE COLOURS

green	(similar to RAL 6032)
black	(similar to RAL 9005)
light gray	(similar to RAL 7035)
dark gray	(similar to RAL 7040)
orange	(similar to RAL 2003)
blue	(similar to RAL 5012)
red	(similar to RAL 3017)
other colours	upon request

poles	part-number	pieces per box	weight per piece	weight per box	DXF	WRL	IGS	STP
02	MSM02001	900	~ 3.0 gr	~ 3.0 kg				
03	MSM03001	600	~ 4.5 gr	~ 3.0 kg				
04	MSM04001	400	~ 6.0 gr	~ 2.7 kg				
05	MSM05001	350	~ 7.5 gr	~ 2.9 kg				
06	MSM06001	300	~ 9.0 gr	~ 3.0 kg				
07	MSM07001	250	~ 10.5 gr	~ 2.9 kg				
08	MSM08001	200	~ 12.0 gr	~ 2.7 kg				
09	MSM09001	175	~ 13.5 gr	~ 2.6 kg				
10	MSM10001	175	~ 15.0 gr	~ 2.9 kg				
11	MSM11001	150	~ 16.5 gr	~ 2.8 kg				
12	MSM12001	150	~ 18.0 gr	~ 3.0 kg				
13	MSM13001	75	~ 19.5 gr	~ 1.6 kg				
14	MSM14001	75	~ 21.0 gr	~ 1.8 kg				
15	MSM15001	75	~ 22.5 gr	~ 1.9 kg				
16	MSM16001	75	~ 24.0 gr	~ 2.0 kg				
17	MSM17001	75	~ 25.5 gr	~ 2.1 kg				
18	MSM18001	75	~ 27.0 gr	~ 2.3 kg				
19	MSM19001	50	~ 28.5 gr	~ 1.6 kg				
20	MSM20001	50	~ 30.0 gr	~ 1.7 kg				
21	MSM21001	50	~ 31.5 gr	~ 1.8 kg				
22	MSM22001	50	~ 33.0 gr	~ 1.8 kg				
23	MSM23001	50	~ 34.5 gr	~ 1.9 kg				
24	MSM24001	50	~ 36.0 gr	~ 2.0 kg				
25	MSM25001	50	~ 37.5 gr	~ 2.1 kg				

DRAWING



WWW.SAURO.NET

← Wire entry

$L = \text{Pitch} \times (\text{poles} - 1)$