



Accessibility

A A A

[english](#) | [italiano](#) | [deutsch](#) | [français](#) | [español](#) | [português](#) | [中文](#) | [РУССКИЙ](#)
[Home](#) | [Company](#) | [Products](#) | [Service](#) | [Contacts](#) | **Search**
e-mail password Accept the terms of use.

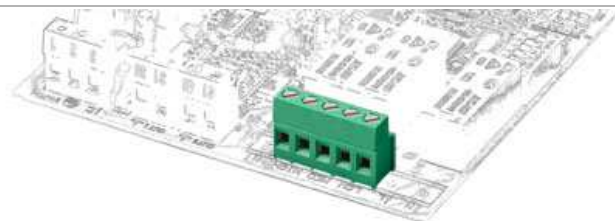
Enter

[Sign in](#) [Password mailing](#)**specific product search****SEARCH**

Select the characteristics of the product you are looking for, then click **SEARCH**

category: line: pitch: poles: mounting: voltage: Vcurrent: Awire section: **SEARCH****MSM__041**

**medium terminal block
Without Marking
35°
pitch 5.00 mm - 0.197 in**

**GENERAL INFORMATION**

dimensional class :	medium
housing height :	15.00 mm - 0.591 in
housing depth :	12.50 mm - 0.492 in
pitch :	5.00 mm - 0.197 in
wire section :	0.05 ÷ 2.5 mm ² / 30 ÷ 12 AWG
clamp opening size :	2.30 mm x 2.5 mm (0.091 in x 0.098 in)

MECHANICAL CHARACTERISTICS

screw :	M3
recommended tightening torque :	0.50 Nm
highest tightening torque :	0.80 Nm
wire stripping length :	5.5 mm ÷ 6.5 mm
minimum PCB holes diametre :	1.4 mm
maximum PCB thickness :	2.8 mm

ELECTRICAL CHARACTERISTICS

maximum voltage :	300 V
maximum current :	24.0 A
contact resistance :	< 15 mOhm
insulation resistance :	> 10 ⁹ Ohm (500 V DC)

APPROVALS

UL	E 167473	300V - 17.5A - 30/12AWG
VDE	n.40022741	250V - 24A - T110 - 2,5mm ²
IMQ	EA022	250V - 24A - 2.5mm ² - T110
ESS	EA022	250V - 24A - 2.5mm ² - T110
CE	Self-Certification	

MATERIALS

plastic housing :	PA6.6 V-0
screw :	brass
clamp :	brass
spring/pin :	brass

AVAILABLE COLOURS

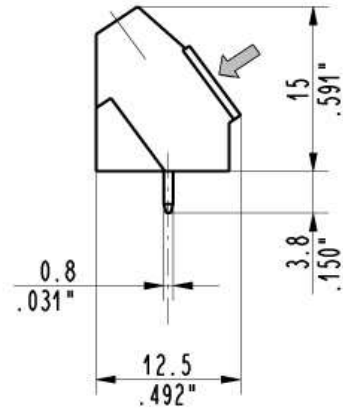
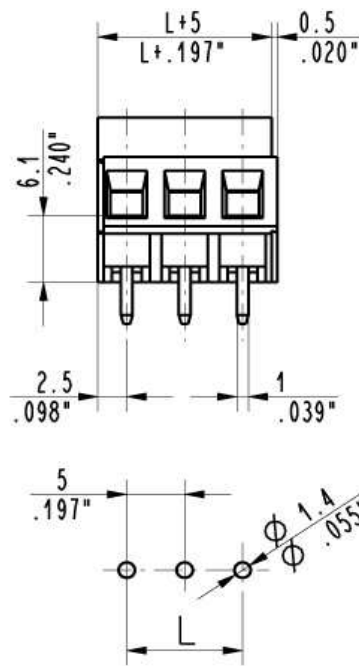
green	(similar to RAL 6032)
black	(similar to RAL 9005)
light gray	(similar to RAL 7035)
dark gray	(similar to RAL 7040)
orange	(similar to RAL 2003)
blue	(similar to RAL 5012)
red	(similar to RAL 3017)
other colours	upon request

poles	part-number	pieces per box	weight per piece	weight per box	DXF	WRL	IGS	STP
02	MSM02041	900	~ 3.0 gr	~ 3.0 kg				
03	MSM03041	600	~ 4.5 gr	~ 3.0 kg				
04	MSM04041	400	~ 6.0 gr	~ 2.7 kg				
05	MSM05041	350	~ 7.5 gr	~ 2.9 kg				
06	MSM06041	300	~ 9.0 gr	~ 3.0 kg				
07	MSM07041	250	~ 10.5 gr	~ 2.9 kg				
08	MSM08041	200	~ 12.0 gr	~ 2.7 kg				
09	MSM09041	175	~ 13.5 gr	~ 2.6 kg				
10	MSM10041	175	~ 15.0 gr	~ 2.9 kg				
11	MSM11041	150	~ 16.5 gr	~ 2.8 kg				
12	MSM12041	150	~ 18.0 gr	~ 3.0 kg				

DRAWING



WWW.SAURO.NET



Wire entry
 $L = \text{Pitch} \times (\text{poles} - 1)$