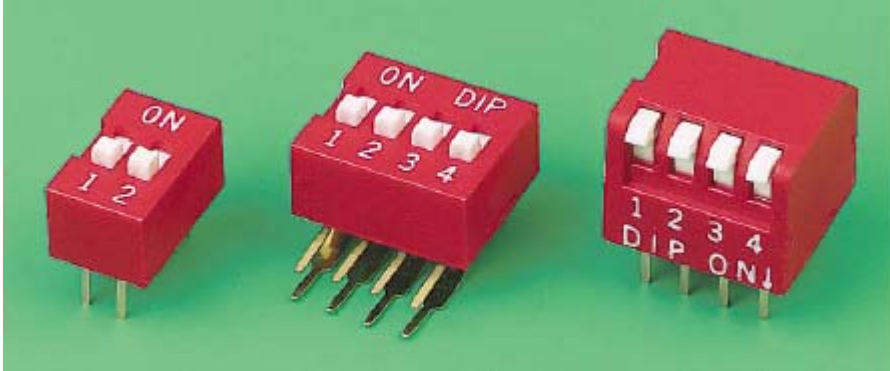
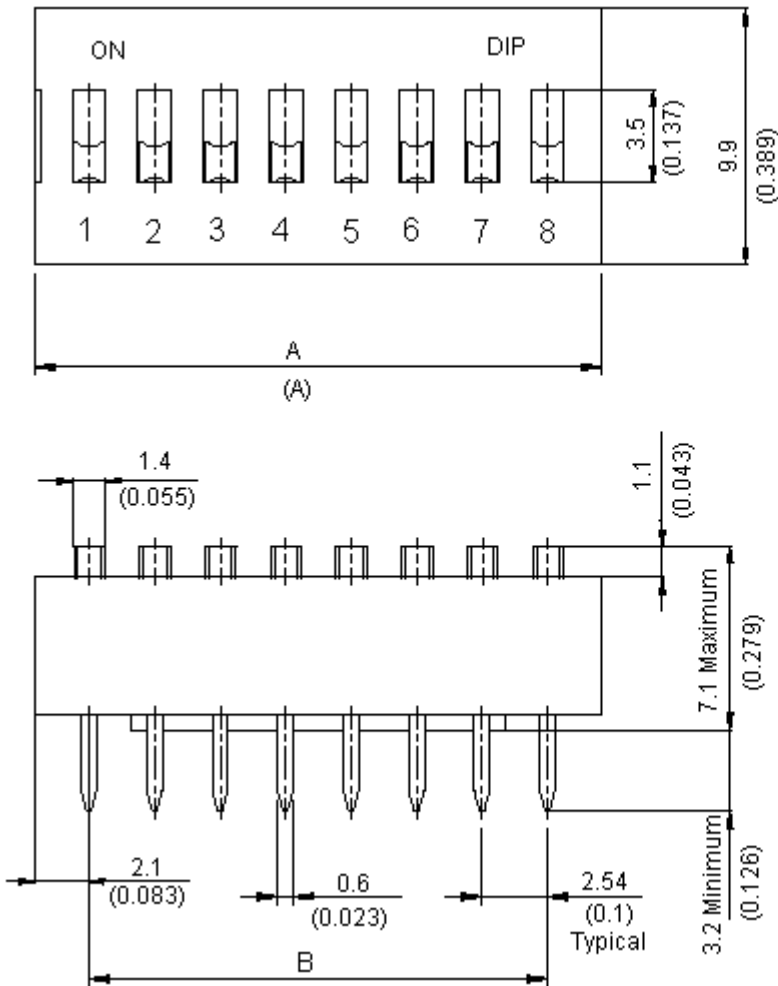


DIL Switches

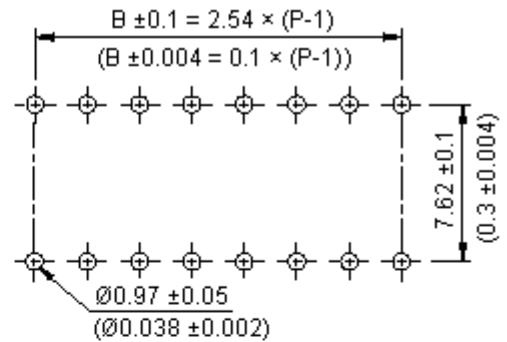
MCDS, MCDP, MCDA Series



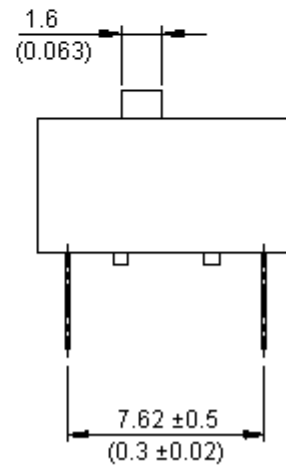
DS Series



General Tolerance : ± 0.2 mm



PCB Layout



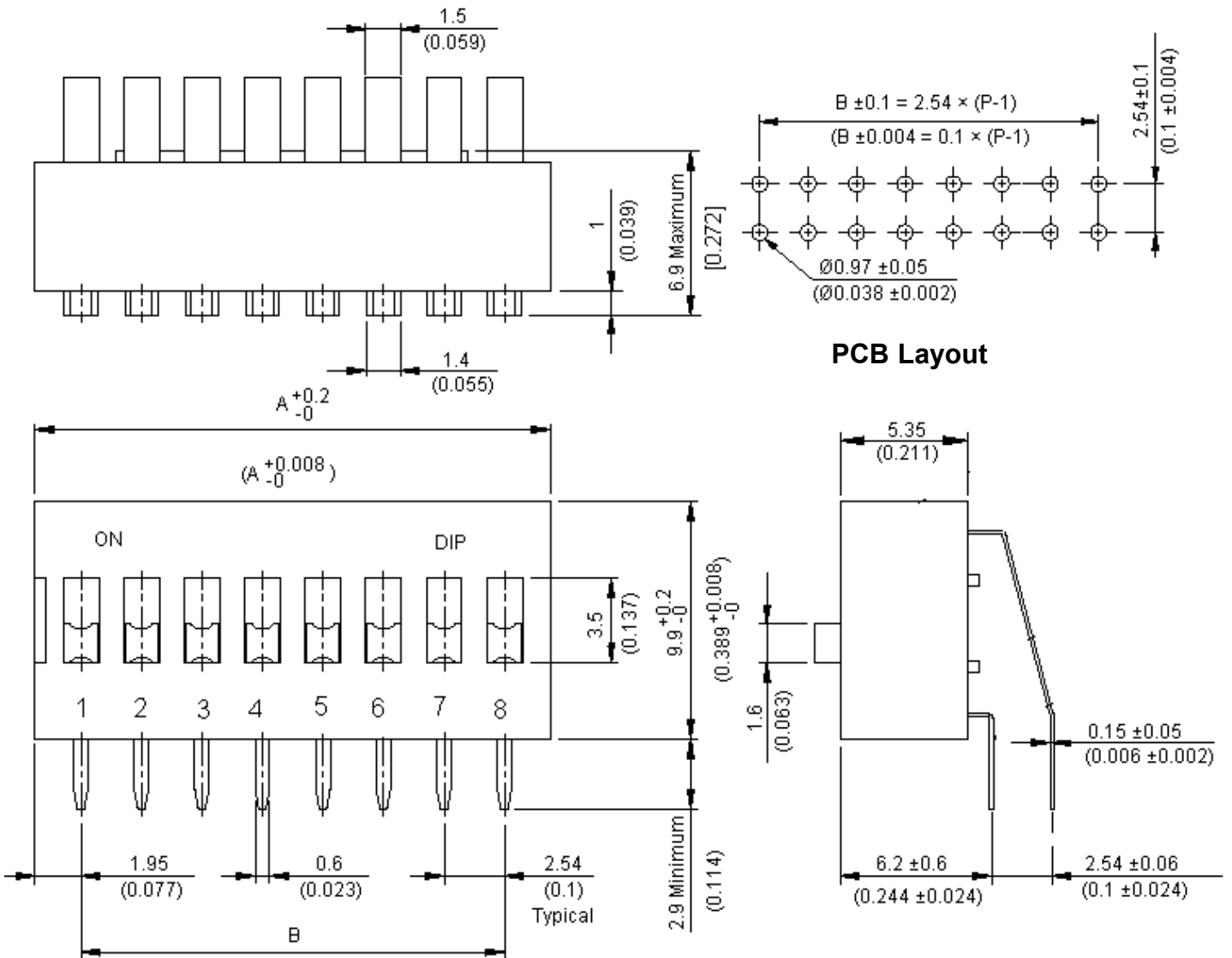
Dimensions : Millimetres (Inches)

DIL Switches

MCDS, MCDP, MCDA Series



DA Series



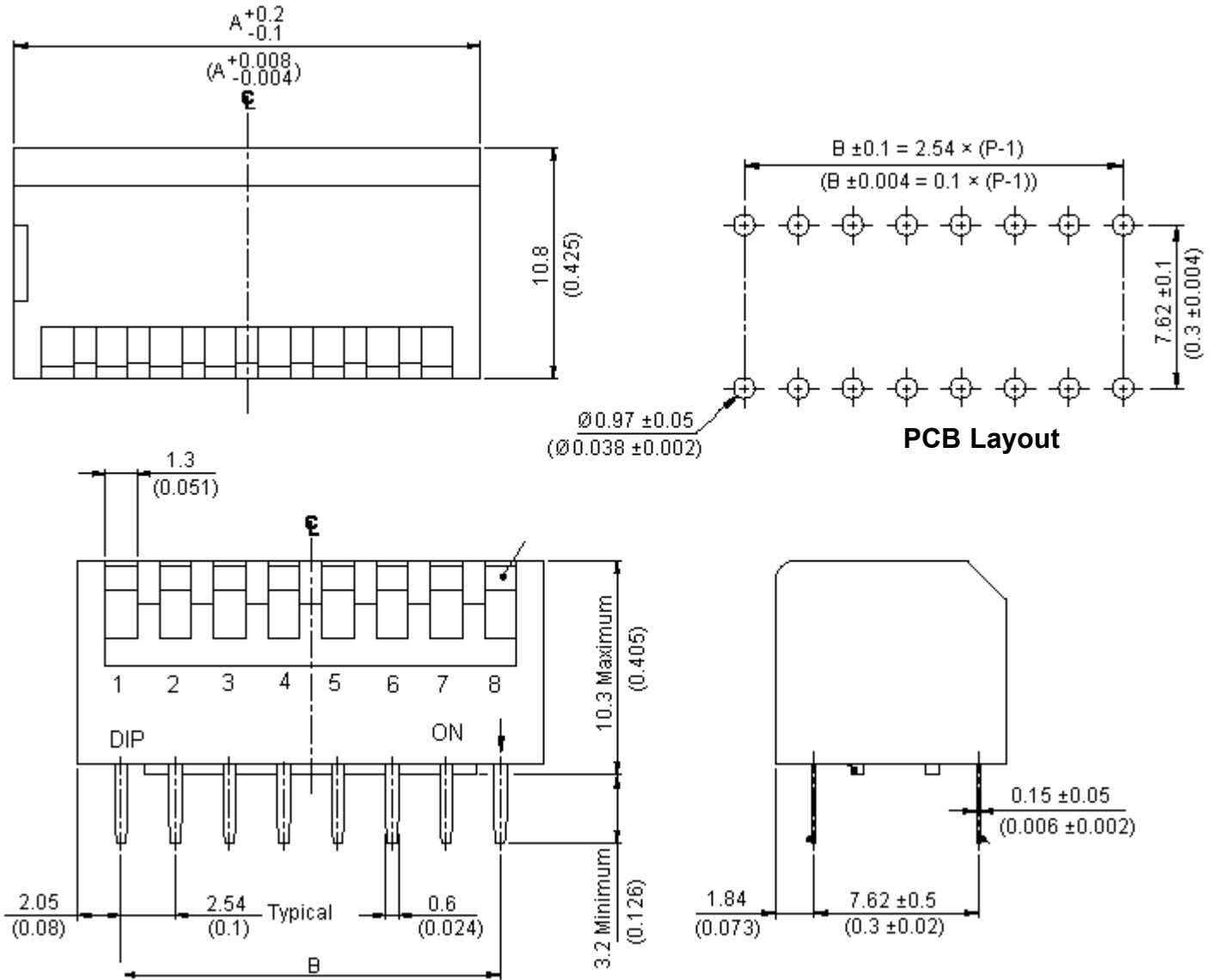
General Tolerance : ± 0.2 mm

Dimensions : Millimetres (Inches)

DIL Switches

MCDS, MCDP, MCDA Series

DP Series



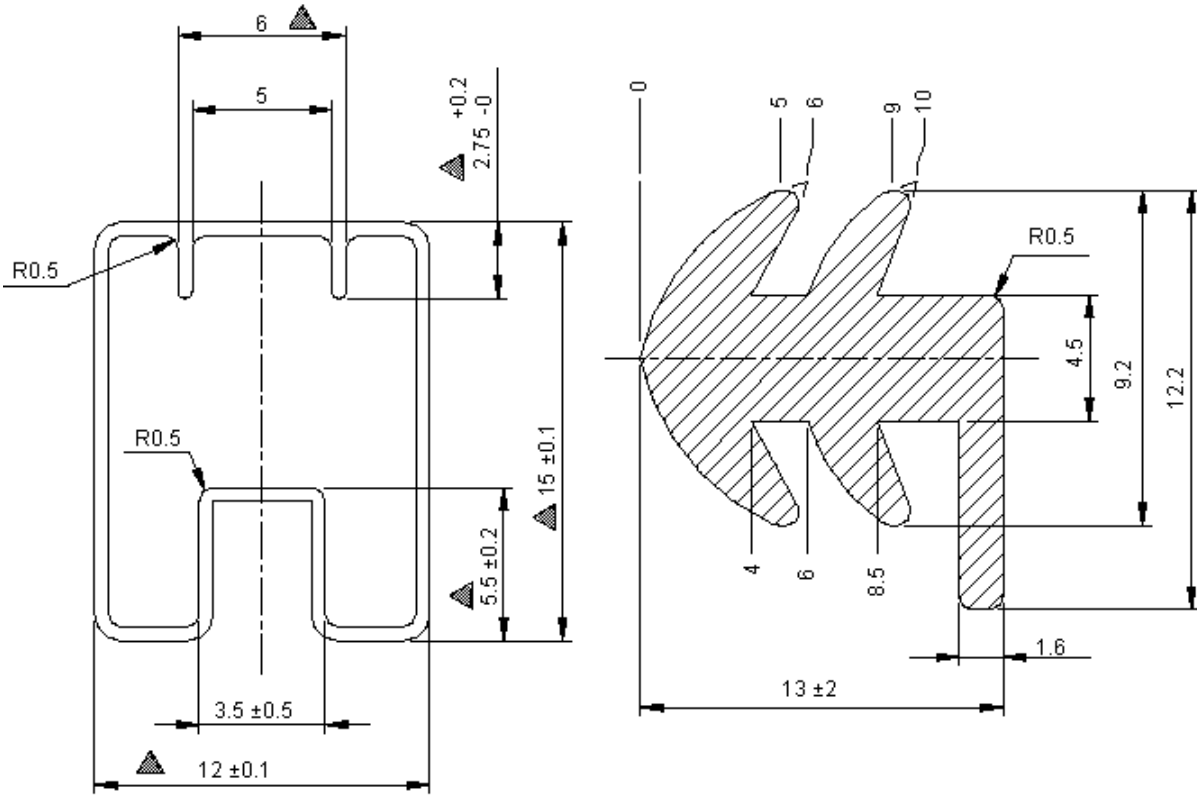
General Tolerance : ± 0.2 mm

Dimensions : Millimetres (Inches)

DIL Switches

MCDS, MCDP, MCDA Series

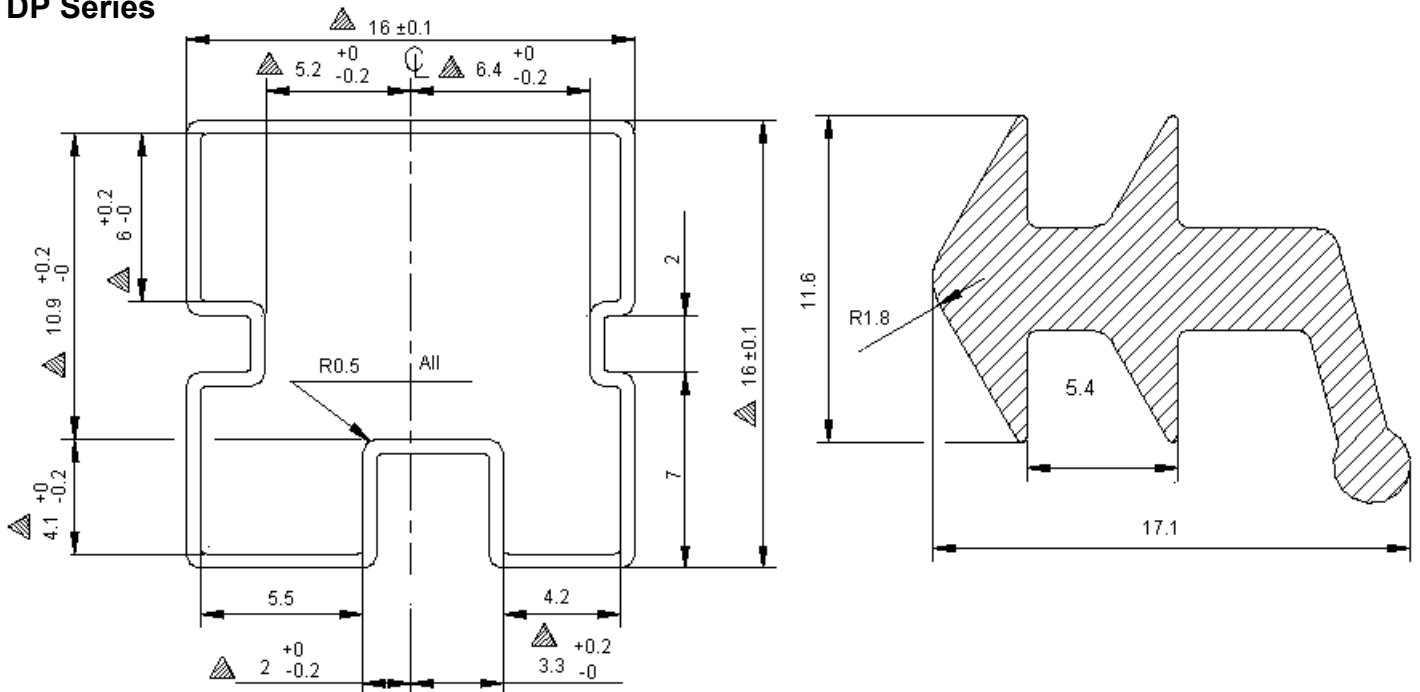
DS Series



General Tolerance : ± 0.1 mm

Dimensions : Millimetres

DP Series



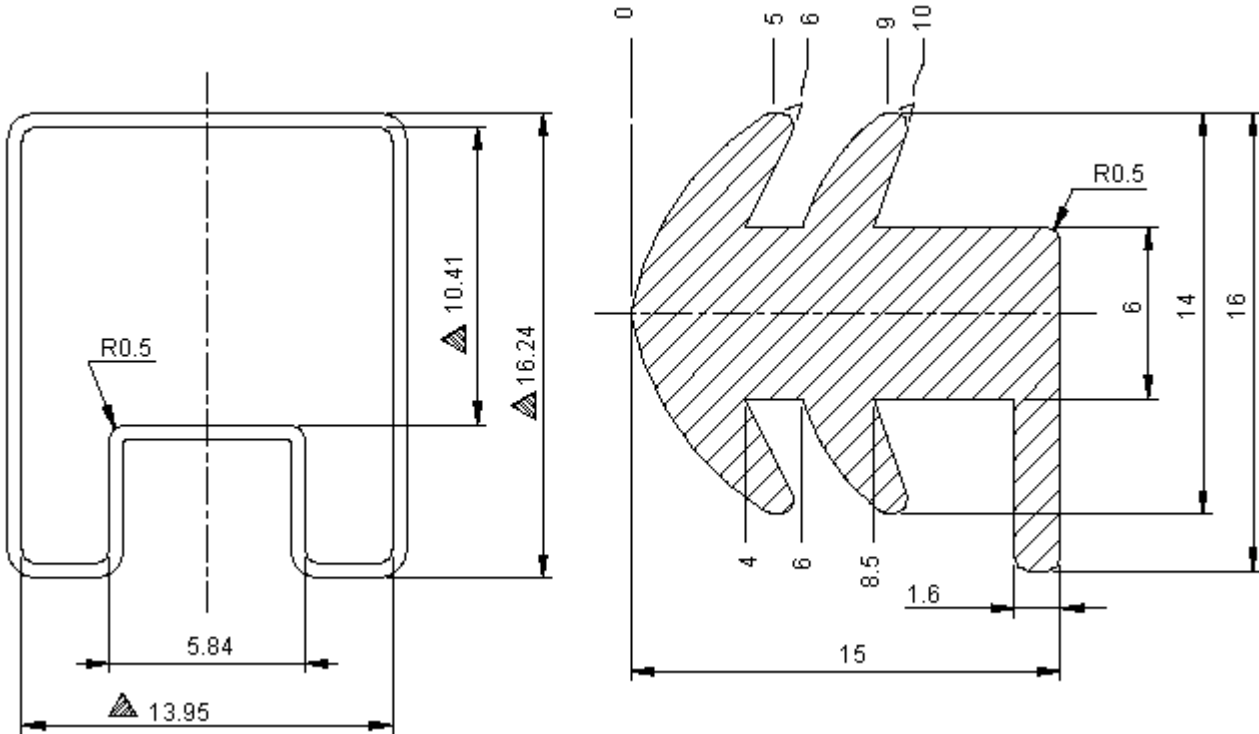
General Tolerance : ± 0.1 mm

Dimensions : Millimetres

DIL Switches

MCDS, MCDP, MCDA Series

DA Series



General Tolerance : ± 0.1 mm

Dimensions : Millimetres

Specifications:

Mechanical

Mechanical Life	: 2,000 operations per switch
Maximum Operation Force	: 400 gf (DP series) 1,000 gf (DS and DA series)
Stroke	: 2 mm
Operation Temperature	: -20°C to $+70^{\circ}\text{C}$
Storage Temperature	: -40°C to $+85^{\circ}\text{C}$

Electrical

Electrical Life	: 2,000 operations per switch 24 V dc, 25 mA
Non-Switching Rating	: 100 mA , 50 V dc
Switching Rating	: 25 mA , 24 V dc
Maximum Contact Resistance	: 50 m Ω at initial
Minimum Insulation Resistance (at 500 V dc)	: 100 M Ω
Dielectric Strength	: 500 V ac per minute
Circuit	: SPST

DIL Switches



MCDS, MCDP, MCDA Series

Materials

Base	: PBT thermoplastic Colour : Black
Cover	: PBT thermoplastic Colour : Red
Actuator	: PBT high thermoplastic Colour : White
Contact	: Phosphor bronze with gold plating over nickel
Top Seal	: Polyester film
Potting Material	: Epoxy

Soldering Process:

Keep all switch contacts in their "OFF" position for all operations

Wave Soldering

Recommended temperature at 500°F (260°C) maximum 5 seconds for through hole type

Hand Soldering

Use a soldering iron of 30 watts, controlled at 350°C approximately maximum 5 seconds

Make sure switch is in "OFF" position during soldering process, or it will decrease the operating force and meanwhile increase the contact resistance

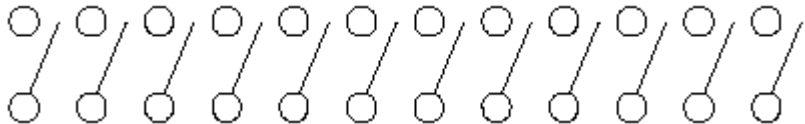
Do not wash the switch body except top tape sealed type, which suitable for spray cleaning method from top of the switch

Specification Table

Number of Positions	Dimension A	Dimension B	Part Number
3	8.98 (0.354)	5.08 (0.2)	MCDS03
5	14.06 (0.554)	10.16 (0.4)	MCDS05
7	19.14 (0.754)	15.24 (0.6)	MCDS07
9	24.22 (0.954)	20.32 (0.8)	MCDS09
2	6.44 (0.254)	2.54 (0.1)	MCDA02
10	26.76 (1.054)	22.86 (0.9)	MCDA10
12	31.84 (1.254)	27.94 (1.1)	MCDA12
2	6.64 (0.261)	2.54 (0.1)	MCDP02
10	26.96 (1.061)	22.86 (0.9)	MCDP10
12	32.04 (1.261)	27.94 (1.1)	MCDP12

Dimensions : Millimetres (Inches)

Schematic (Typical)



2, 3, 5, 7, 9, 10,12, Positions Available

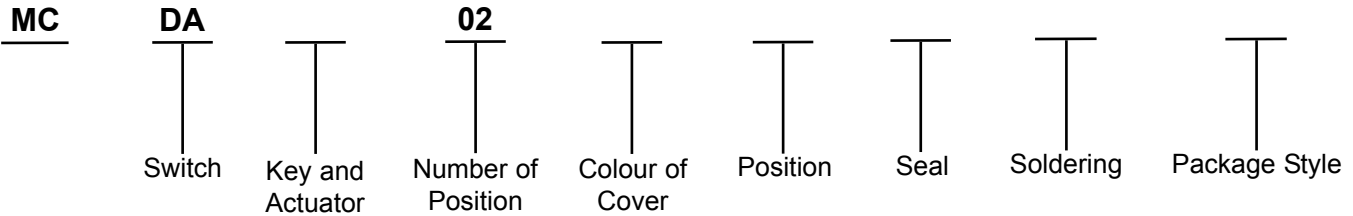


DIL Switches

MCDS, MCDP, MCDA Series



Part Number Explanation:



- Switch** : DS = Slide type dip switch
DA = Right angle type dip switch
DP = Piano type dip switch
- Key and Actuator** : DS = Raised Actuator
DA = Raised Actuator
DP = Short Key
- Number of Positions** : 02 = 2, 03 = 3, 05 = 5, 07 = 7, 09 = 9, 10 = 10, and 12 = 12 Positions
- Colour of Cover** : = Red
- Position** : = Push down on
- Seal** : = Regular
- Switch** : V = Lead free solderable
- Package Style** : = Tube

Important Notice : This data sheet and its contents (the "Information") belong to the members of the Premier Farnell group of companies (the "Group") or are licensed to it. No licence is granted for the use of it other than for information purposes in connection with the products to which it relates. No licence of any intellectual property rights is granted. The Information is subject to change without notice and replaces all data sheets previously supplied. The Information supplied is believed to be accurate but the Group assumes no responsibility for its accuracy or completeness, any error in or omission from it or for any use made of it. Users of this data sheet should check for themselves the Information and the suitability of the products for their purpose and not make any assumptions based on information included or omitted. Liability for loss or damage resulting from any reliance on the Information or use of it (including liability resulting from negligence or where the Group was aware of the possibility of such loss or damage arising) is excluded. This will not operate to limit or restrict the Group's liability for death or personal injury resulting from its negligence. Multicomp is the registered trademark of the Group. © Premier Farnell plc 2012.