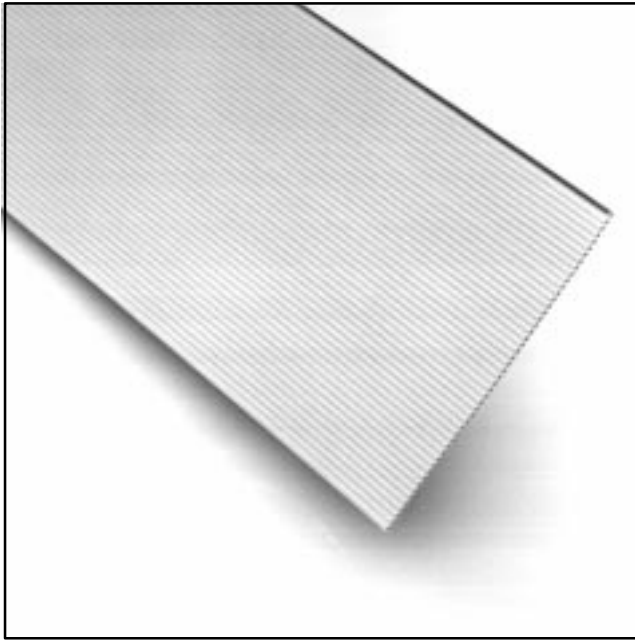


# .050" Round Conductor Flat Cable

28 AWG Stranded, PVC

3365 Series



- 28 AWG wire on .050 inch centers permits mass termination to a broad line of IDC connectors
- Stranded wire provides flexibility and extended product life
- Zippable for branching or discrete termination

Date Modified: February 19, 1999

TS-0080-12  
Sheet 1 of 2

33

---



## Physical

### Insulation

Material: Polyvinyl Chloride (PVC)  
Color: Gray

### Marking

Standard: None

Canadian Option:  AWM 2651 105C 300V VW1 3M NU  AWM IA 105C 300V FT1  
EU <50V

**Conductors:** 28 AWG 7 × 36 [ 7 × 0.127 ] Tinned Stranded Copper

---

## Electrical

**Voltage Rating:** USA: 300V      Canada: 300V      EU: <50V  
**Insulation Resistance:**  $> 1 \times 10^{10} \Omega/10 \text{ ft. [ 3m ]}$   
**Characteristic Impedance** Unbalanced: 108  $\Omega$   
**Capacitance** Unbalanced: 12.8 pF/ft. [ 42.0 pF/m ]  
**Inductance** Unbalanced: .15  $\mu\text{H/ft. [ 0.50 } \mu\text{H/m ]}$   
**Propagation Delay** Unbalanced: 1.40 ns/ft. [ 4.59 ns/m ]  
**Velocity of Propagation:** Unbalanced: 73%

Note: Unbalanced is measured between ground-signal-ground conductors.

---

## Environmental

**Temperature Rating:** -20°C to +105°C  
**Flammability Rating:** USA: VW-1      Canada: FT1

UL File No.: E42769, Style No.: 2651

---

### 3M Interconnect Solutions Division

6801 River Place Blvd.  
Austin, TX 78726-9000

For technical, sales or ordering information call  
**800-225-5373**

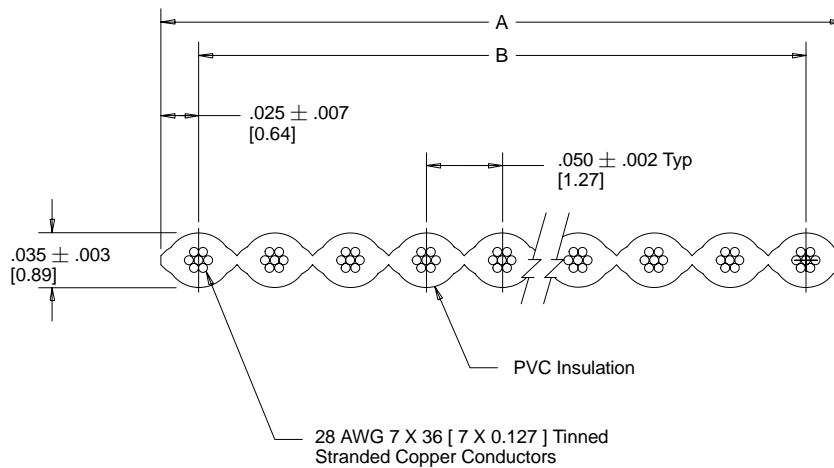
# .050" Round Conductor Flat Cable

## 28 AWG Stranded, PVC

3365 Series



Number of Conductors	3M Part Number	Dimension A	Dimension B
09	3365/09	0.450 ± .010 [ 11.43 ]	0.400 ± .007 [ 10.16 ]
10	3365/10	0.500 ± .010 [ 12.70 ]	0.450 ± .007 [ 11.43 ]
14	3365/14	0.700 ± .010 [ 17.78 ]	0.650 ± .007 [ 16.51 ]
15	3365/15	0.750 ± .010 [ 19.05 ]	0.700 ± .007 [ 17.78 ]
16	3365/16	0.800 ± .015 [ 20.32 ]	0.750 ± .011 [ 19.05 ]
20	3365/20	1.000 ± .015 [ 25.40 ]	0.950 ± .011 [ 24.13 ]
24	3365/24	1.200 ± .015 [ 30.48 ]	1.150 ± .011 [ 29.21 ]
25	3365/25	1.250 ± .015 [ 31.75 ]	1.200 ± .011 [ 30.48 ]
26	3365/26	1.300 ± .015 [ 33.02 ]	1.250 ± .011 [ 31.75 ]
30	3365/30	1.500 ± .020 [ 38.10 ]	1.450 ± .015 [ 36.83 ]
34	3365/34	1.700 ± .020 [ 43.18 ]	1.650 ± .015 [ 41.91 ]
36	3365/36	1.800 ± .020 [ 45.72 ]	1.750 ± .015 [ 44.45 ]
37	3365/37	1.850 ± .020 [ 46.99 ]	1.800 ± .015 [ 45.72 ]
40	3365/40	2.000 ± .020 [ 50.80 ]	1.950 ± .015 [ 49.53 ]
44	3365/44	2.200 ± .020 [ 55.88 ]	2.150 ± .015 [ 54.61 ]
50	3365/50	2.500 ± .020 [ 63.50 ]	2.450 ± .015 [ 62.23 ]
60	3365/60	3.000 ± .020 [ 76.20 ]	2.950 ± .015 [ 74.93 ]
64	3365/64	3.200 ± .020 [ 81.28 ]	3.150 ± .015 [ 80.01 ]



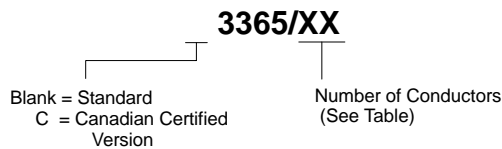
Inch  
[mm]

Tolerance Unless Noted			
	.0	.00	.000
Inch	± .1	± .01	± .005

[ ] Dimensions for Reference Only

Note: Red marking on one edge of cable designates wire #1.

### Ordering Information



Note:

1. Available in standard lengths of 100 feet, 300 feet, 30 meters or 100 meters per roll, please specify when ordering.
2. For "special" black insulation, order part number 3696/XX.

TS-0080-12  
Sheet 2 of 2

### 3M Interconnect Solutions Division

6801 River Place Blvd.  
Austin, TX 78726-9000

For technical, sales or ordering information call  
**800-225-5373**