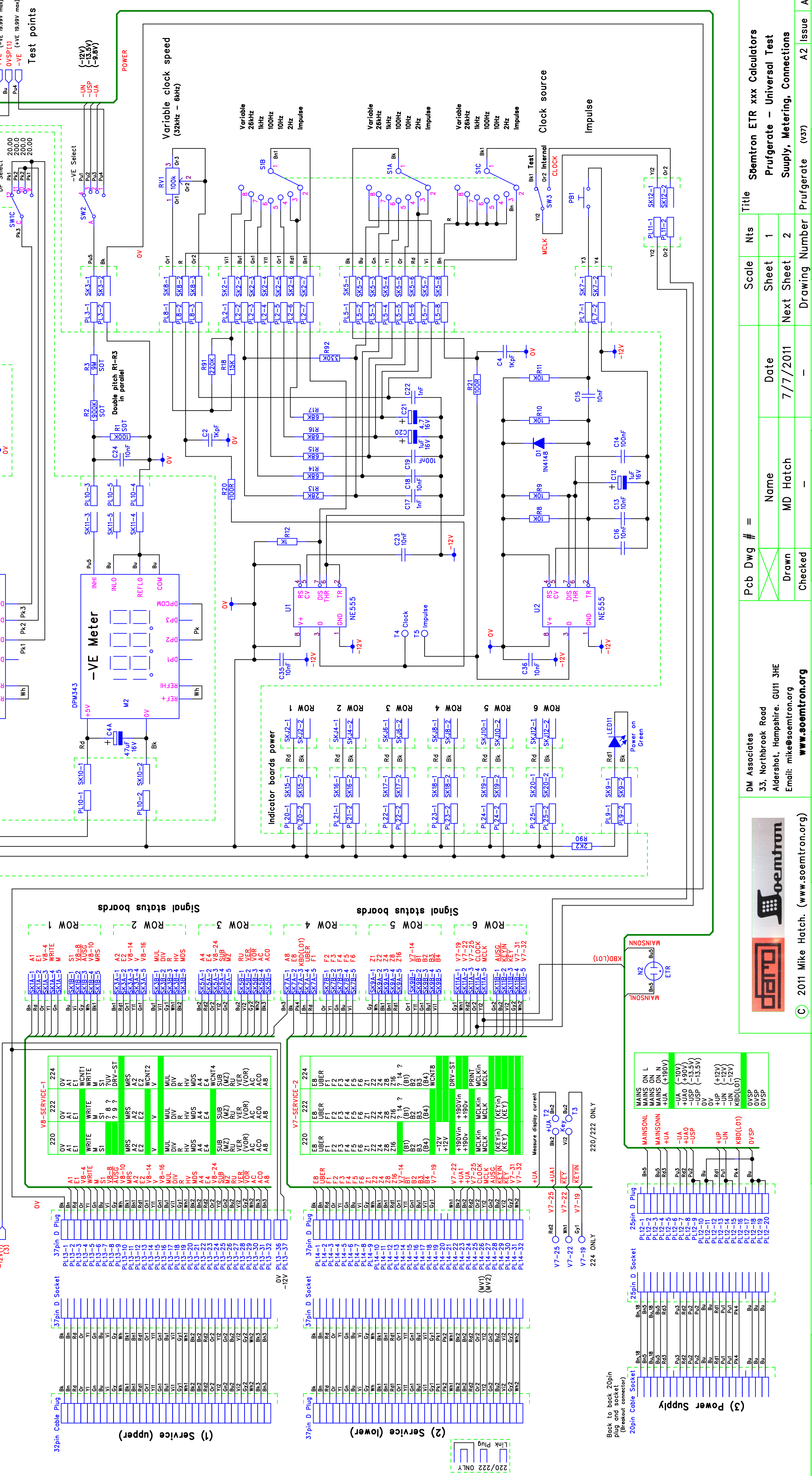
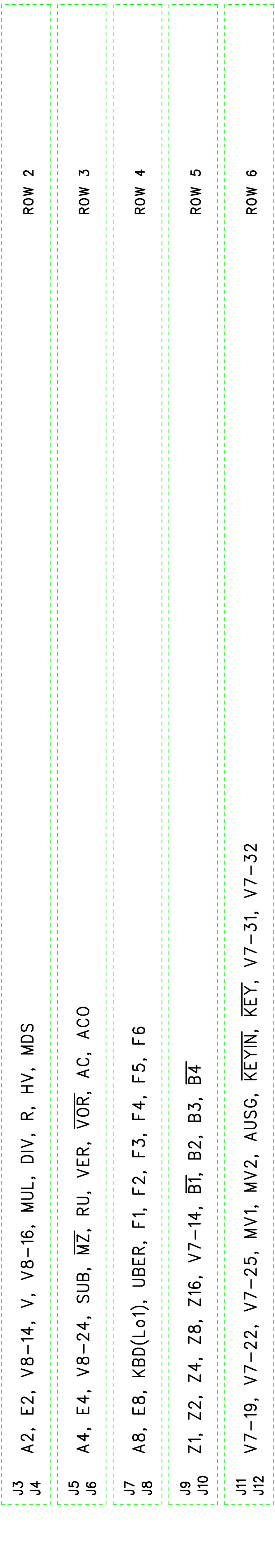
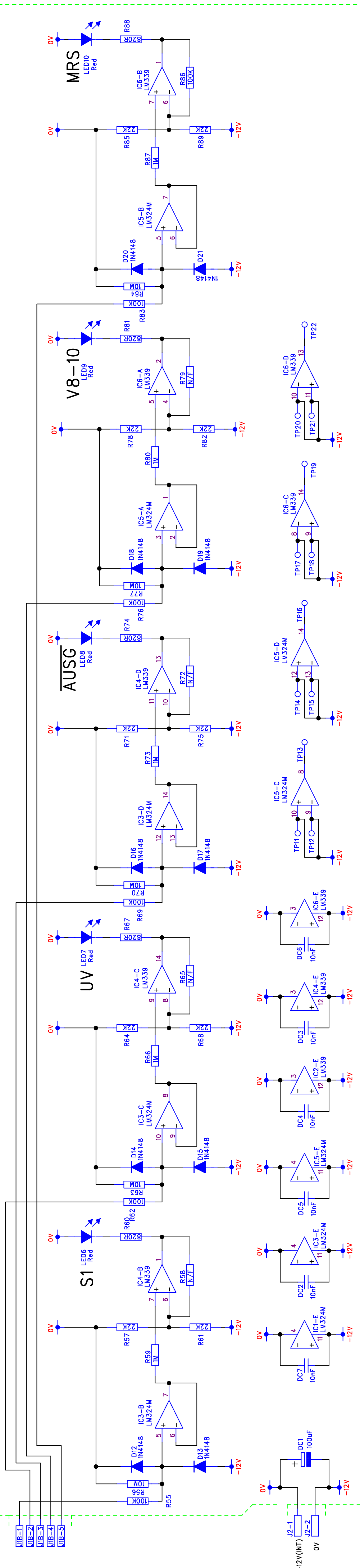
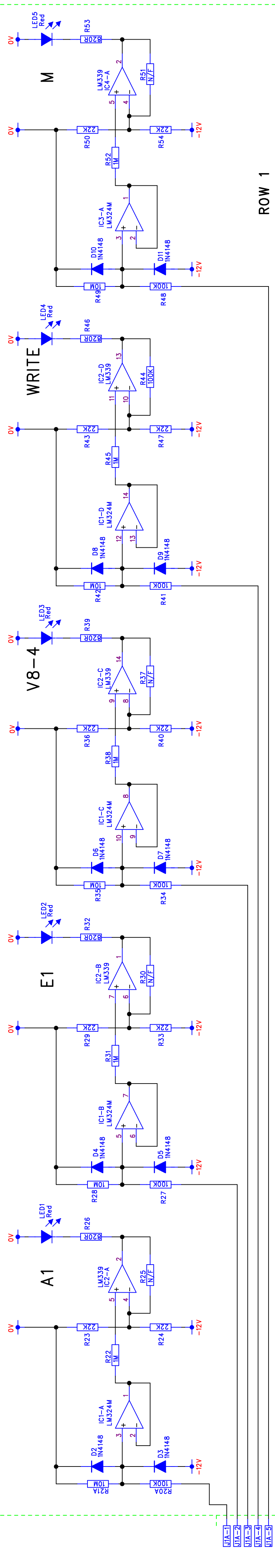


#	Meter (SW1A/B)	Range Selection	Range
1	+VE Meter	20V	-UN (-12V)
2	+UAP (+12V)	20V	-USP (-13.5V)
3	+UA0 (+88V)	200V	-UA (-9.8V)
4	+UA (+195V)	200V	-VE Test
4	+VE Test	20V	-VE Test



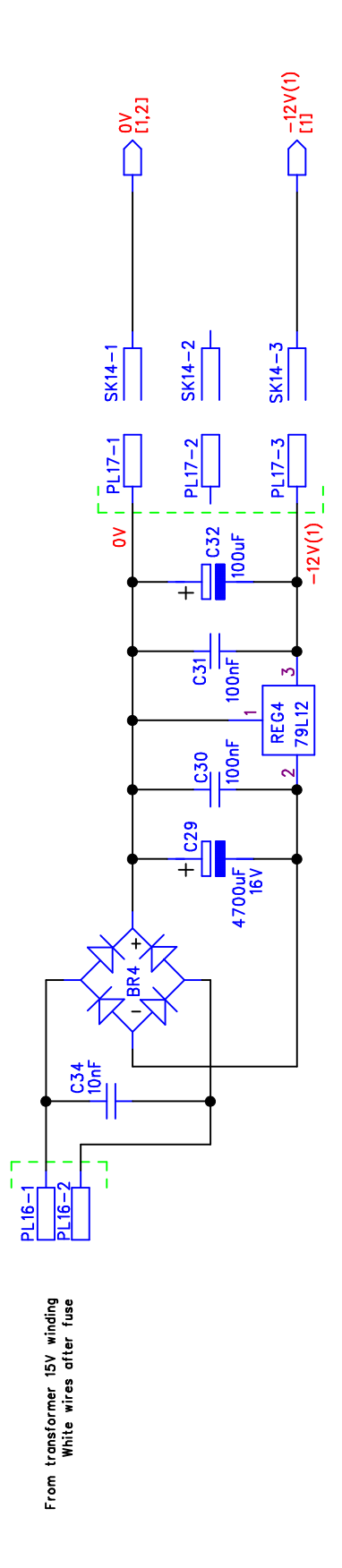
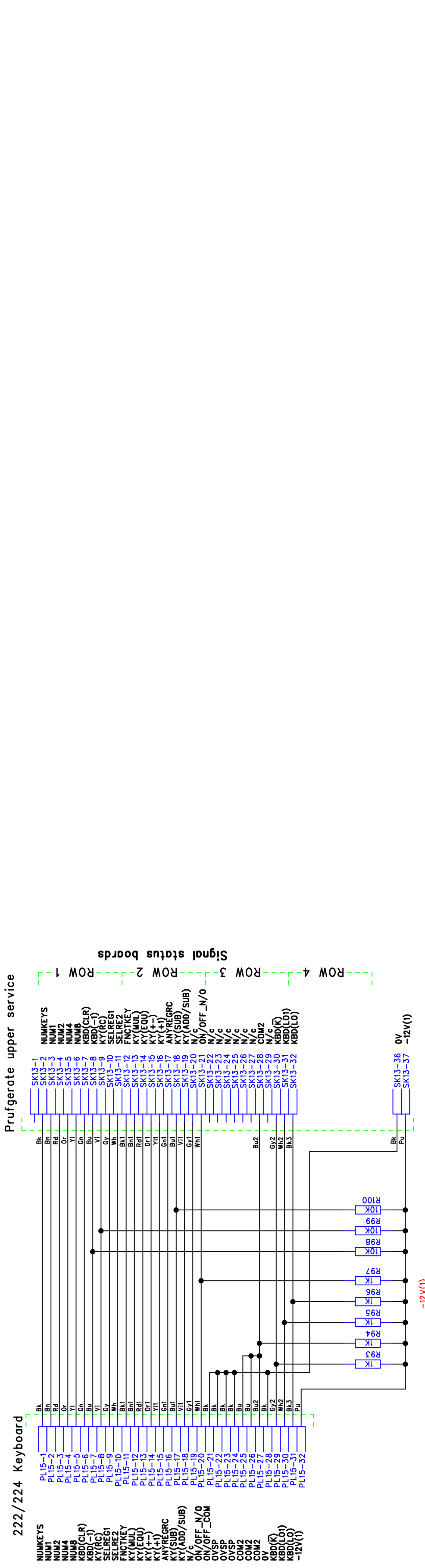


DM Associates
 33, Northbrook Road
 Aldershot, Hampshire, GU11 3HE
 Email: mike@soemtron.org
www.soemtron.org

Scale Sheet 2 of 3
Title Soemtron ETR xxx Calculators
Name Prufgerate - Universal Test
Date 9/9/2011
Drawing Number Prufgerate (v37)
Checked
Next Sheet

Notes:
 A2, E2, V8-14, V, V8-16, MUL, DIV, R, HV, MDS
 A4, E4, V8-24, SUB, MZ, RU, VER, VOR, AC, ACO
 A8, E8, KBD(Lo1), UBER, F1, F2, F3, F4, F5, F6
 Z1, Z2, Z4, Z8, Z16, V7-14, B1, B2, B3, B4
 V7-19, V7-22, V7-25, MV1, MV2, AUSG, KEYIN, KEY, V7-31, V7-32

RevNo	Revision note	Date	By	Checked
-	-	-	-	-
-	-	-	-	-



RevNo		Revision note		Date	By	Checked
-	-	-	-	-	-	-
-	-	-	-	-	-	-

Pcb Dwg # =		Name	Date	Scale	Nts	Title
Drawn	MD Hatch	MD Hatch	27/11/2018	Sheet	3	Søemtron ETR xxx Calculators
Checked	-	-	-	Next Sheet	-	Prufgerate - Universal Test
				Drawing Number	Prufgerate (v37)	ETR 222/4 Keyboard test
						A2 Issue

DM Associates 33, Northbrook Road Aldershot, Hampshire. GU11 3HE Email: mike@soemtron.org www.soemtron.org		© 2011 Mike Hatch. (www.soemtron.org)
--	--	---------------------------------------

DO NOT MANUFACTURE FROM NUMERICAL ISSUE DRAWINGS